

# RICCAR®

## *SupraQuik*™

Portable Canister Vacuum

Owner's Manual





# Index

|   |    |
|---|----|
| <b>IMPORTANT SAFETY INSTRUCTIONS</b> .....          | 2  |
| Polarization Instructions .....                     | 3  |
| Description of the Vacuum .....                     | 4  |
| <b>Operation</b>                                    |    |
| Turning the Vacuum On/Off .....                     | 6  |
| Carrying the Vacuum .....                           | 6  |
| Vacuuming Floors .....                              | 7  |
| <b>Attachment Cleaning</b>                          |    |
| Cleaning Tools .....                                | 8  |
| Adjusting the Suction Power for Tool Cleaning ..... | 9  |
| Using the Blower Exhaust Port .....                 | 9  |
| Micro Tool Kit and Angle Adapter .....              | 10 |
| <b>Maintenance and Care</b>                         |    |
| Replacing the Vacuum Bag .....                      | 11 |
| When to Change the Filter .....                     | 12 |
| Replacing the Charcoal Filter .....                 | 12 |
| <b>Problem Solving Guide</b>                        |    |
| Troubleshooting .....                               | 13 |
| Visit Riccar Vacuums Online .....                   | 13 |
| How to Contact Your Authorized Retailer .....       | 13 |
| Key Replacement Parts .....                         | 13 |
| <b>Warranty</b> .....                               | 14 |
| <b>Owner's Information</b> .....                    | 15 |
| <b>For Best Performance</b> .....                   | 15 |

## Customer's Record

The model and serial numbers of this product may be found on the underside of the unit.

**Register your warranty at Riccar.com.** Also, note the model and serial numbers of your unit in the spaces provided below, and retain this book as a permanent record of your purchase.

Model Number \_\_\_\_\_

Serial Number \_\_\_\_\_

Date Purchased \_\_\_\_\_

This Riccar vacuum cleaner is a product of high-quality materials and superior workmanship. We urge you to read these operating instructions carefully before you use this vacuum cleaner in order to obtain the full performance and satisfaction it can offer you.

## Save These Instructions

Before you plug in your Riccar vacuum cleaner, make sure the voltage indicated on the rating plate located on the bottom of the vacuum cleaner is the same as your local supply.

# IMPORTANT SAFETY INSTRUCTIONS

When using an electrical appliance, basic precautions should always be followed, including the following:

## READ ALL INSTRUCTIONS BEFORE USING THIS APPLIANCE

The manufacturer cannot accept responsibility for damage caused when the appliance is not used according to the instructions or for uses other than those for which it was intended.

To reduce the risk of fire, electric shock or injury:

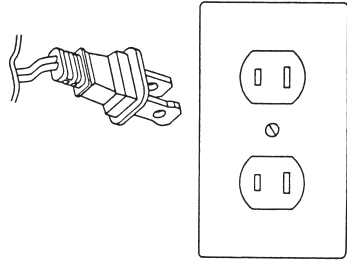
- Do not leave appliance when plugged in. Unplug from outlet when not in use and before servicing.
- Do not handle plug or appliance with wet hands.
- **WARNING: ELECTRIC SHOCK COULD OCCUR IF USED OUTDOORS OR ON WET SURFACES.**
- Do not put any object into openings. Do not use with any opening blocked; keep free of dust, lint, hair and anything that may reduce air flow.
- Do not allow to be used as a toy. Close attention is necessary when used by or near children.
- Keep hair, loose clothing, fingers and all parts of body away from openings and moving parts.
- Use only as described in this manual. Use only manufacturer's recommended attachments.
- Do not pick up anything that is burning or smoking, such as cigarettes, matches or hot ashes.
- Do not use with damaged cord or plug. If appliance is not working as it should, has been dropped, damaged, left outdoors, or dropped into water, return it to your Authorized Retailer for service.
- Do not use without vacuum bag and/or filter in place.
- Do not pull or carry by cord, use cord as a handle, close a door on the cord, or pull cord around sharp edges or corners. Do not run appliance over cord. Keep cord away from heated surfaces.
- Turn off all controls before unplugging.
- Do not unplug by pulling on cord. To unplug, grasp the plug, not the cord.
- Use extra care when cleaning on stairs.
- Do not use to pick up flammable or combustible liquids, such as gasoline, or use in areas where they may be present.
- Do not attempt to service the unit while appliance is plugged in.

## SAVE THESE INSTRUCTIONS.

# Polarization Instructions

## **POWER CORD, 2-WIRE POLARIZED CORD**

To reduce the risk of electric shock, this product is equipped with a polarized alternating current line plug (a plug having one blade wider than the other). This plug will fit into the power outlet only one way. This is a safety feature. If you are unable to insert the plug fully into the outlet, try reversing the plug. If the plug should still fail to fit, contact a qualified electrician to replace the obsolete outlet. Do not defeat the safety purpose of the polarized plug.

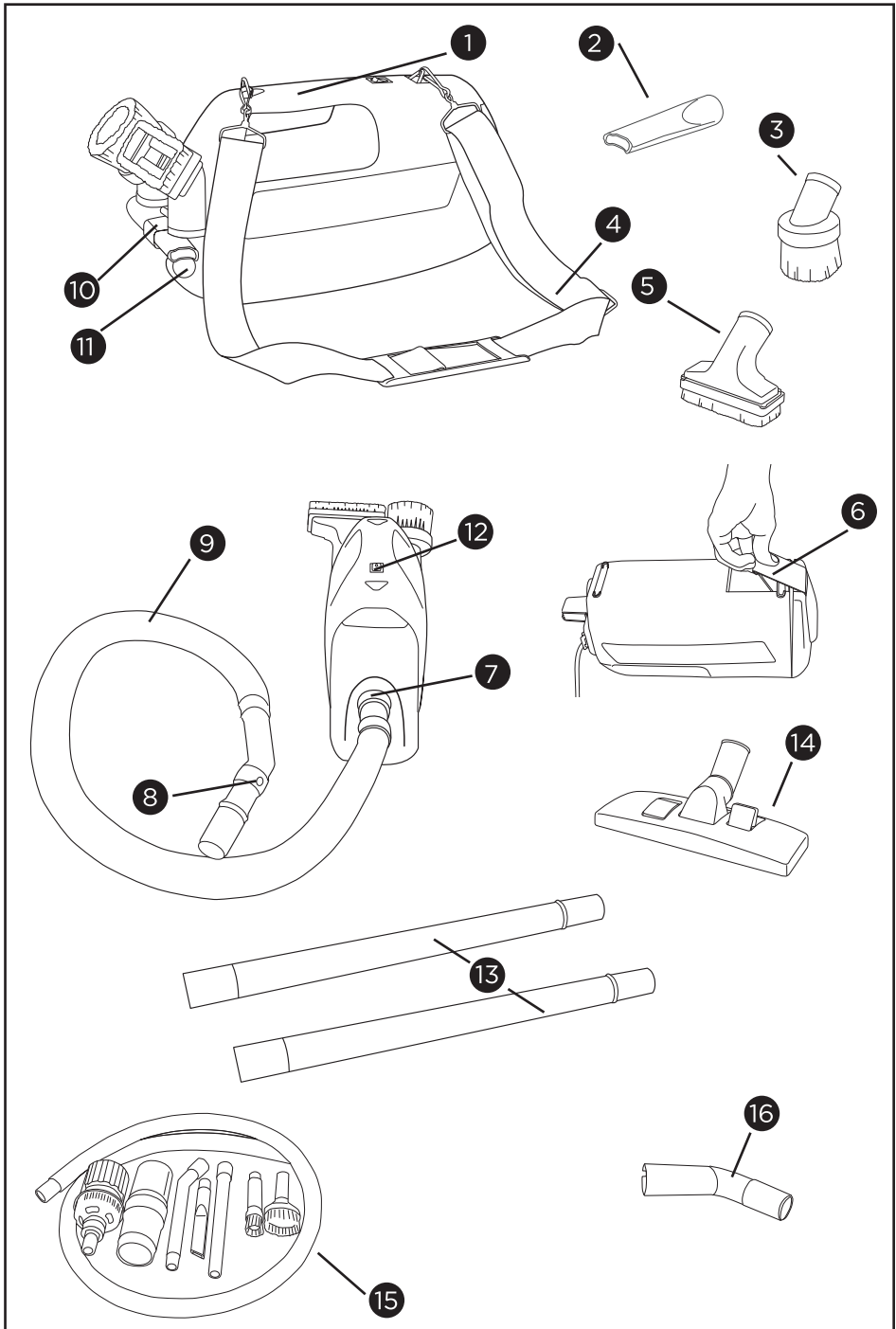


State of California Proposition 65 Warnings:

WARNING: This product contains one or more chemicals known to the State of California to cause cancer.

WARNING: This product contains one or more chemicals known to the State of California to cause birth defects or other reproductive harm.

# Description of the Vacuum



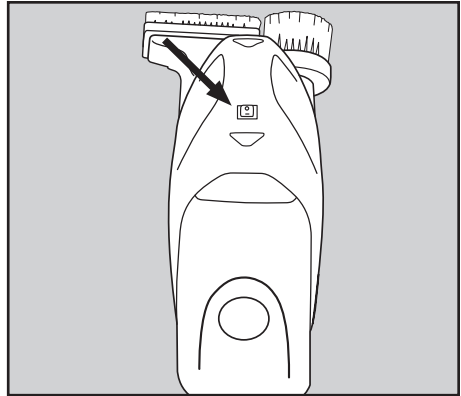
# Description of the Vacuum

- 1 Carrying Handle
- 2 Crevice Tool
- 3 Deluxe Dusting Brush
- 4 Shoulder Strap
- 5 Upholstery Tool
- 6 Bag Compartment Cover and Retaining Latch
- 7 Suction Intake Port
- 8 Suction Relief Ring
- 9 Hose Assembly
- 10 Cleaning Tools Holder
- 11 Blower Exhaust Port
- 12 Main On/Off Power Switch
- 13 Extension Wands
- 14 Rug/Floor Tool
- 15 Micro Tool Kit
- 16 Adjustable Angle Adapter

# Operation

## Turning the Vacuum On/Off (Fig. 1)

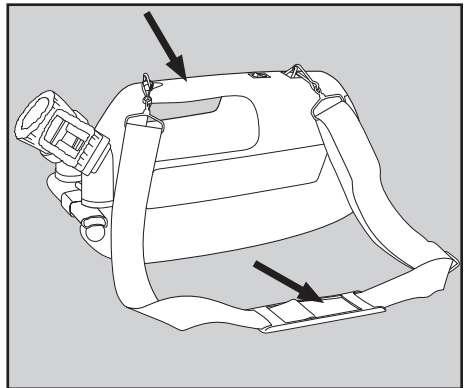
- To start the vacuum cleaner, flip the “On/Off” switch located on the handle to the “On” (I) position.
- To stop the vacuum cleaner, flip the “On/Off” switch to the “Off” (O) position.
- Turn the vacuum cleaner off before unplugging from the electrical outlet.



**Fig. 1**

## Carrying the Vacuum (Fig. 2)

To safely transport your vacuum use the carry handle and/or the shoulder strap.



**Fig. 2**



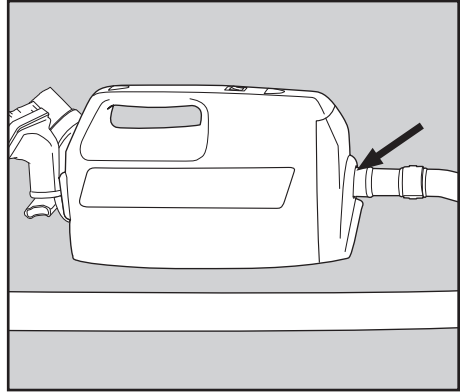
# Operation

## Vacuuming Floors

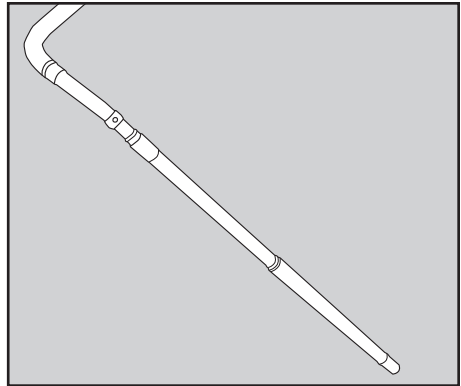
With the cleaning tools and vacuum wands, your vacuum is a comprehensive cleaning system.

- Attach the vacuum hose to the suction intake port and twist to lock into place (Fig. 4).
- Attach the extension wand(s) to the curved handle end of the hose (Fig. 5).
- Attach the rug/floor tool to the end of the extension wand(s) for cleaning floors and area rugs (Fig. 6).

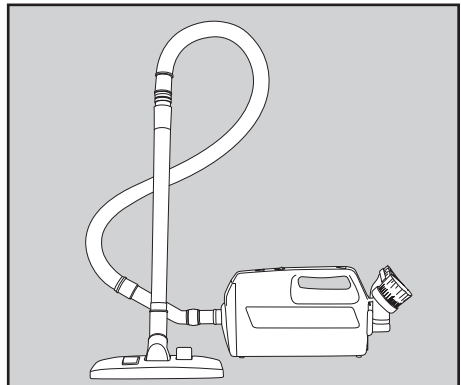
NOTE: You can connect any of the cleaning tools to the end of the extension wand(s) and twist for a secure fit. To remove the cleaning tool from the extension wand(s) simply twist and pull apart.



**Fig. 4**



**Fig. 5**



**Fig. 6**

# Attachment Cleaning

## Cleaning Tools

Your vacuum is equipped with a deluxe dusting brush, upholstery tool and crevice tool.

- Attach the vacuum hose to the suction intake port and twist to lock into place (Pg. 7, Fig. 4).
- Attach the extension wand(s) to the curved handle end of the hose (Pg. 7, Fig. 5).
- Insert any of the tools onto the end of the wand(s). Tools can be attached directly to the vacuum hose when the extension wands are not needed.

## Dusting Brush (Fig. 7)

Ideal for table tops, shelves, blinds or baseboards.

## Upholstery Tool (Fig. 8)

Ideal for soft surfaces like chairs and couches.

## Crevice Tool (Fig. 9)

Ideal for tight places like between seat cushions or corners.

## Cleaning Tools Holder (Fig. 10)

Your vacuum is equipped with a convenient holder for the cleaning tools.

- Slide the holder onto the clip above the blower exhaust port and attach the tools onto the holder.

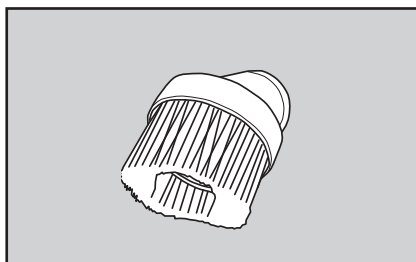


Fig. 7

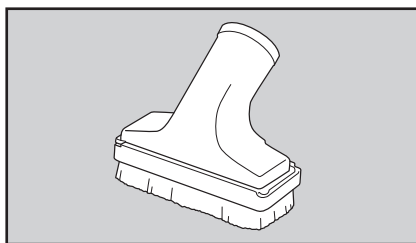


Fig. 8

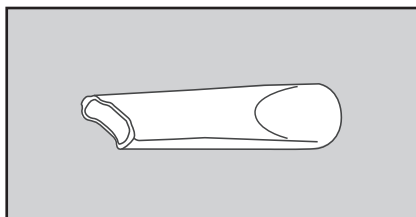


Fig. 9

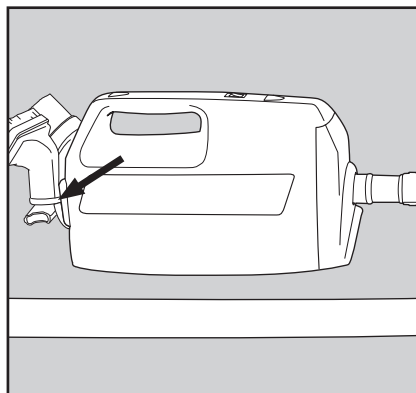


Fig. 10

# Attachment Cleaning

## Adjusting the Suction Power for Tool Cleaning (Fig. 11)

On the hose handle, locate the suction relief ring and turn it to the desired position. This reduces the suction power coming through the hose. Close the suction relief ring when finished to restore full suction power.

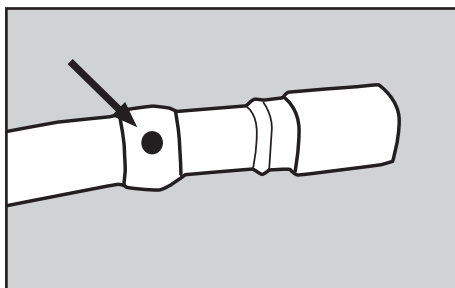


Fig. 11

## Using the Blower Exhaust Port

Attach the vacuum hose to the blower exhaust port (Fig. 12). Then attach the inflation adapter (included in the micro tool kit) to the end of the hose for inflating mattresses, rafts, etc (Fig. 13).

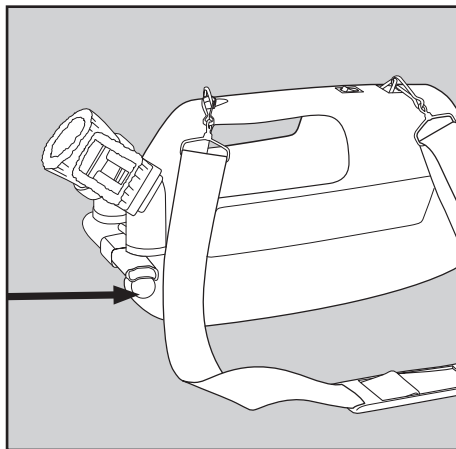


Fig. 12

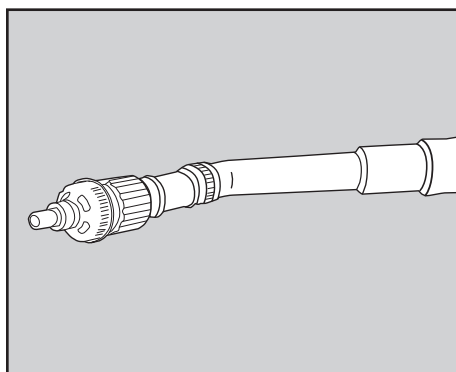


Fig. 13

# Attachment Cleaning

## Additional Cleaning Tools

The micro tool kit and adjustable angle adapter are standard accessories with your vacuum.

## Micro Tool Kit (Fig. 14)

All the tools needed for cleaning delicate collectibles, computer keyboards or inflating an air mattress.

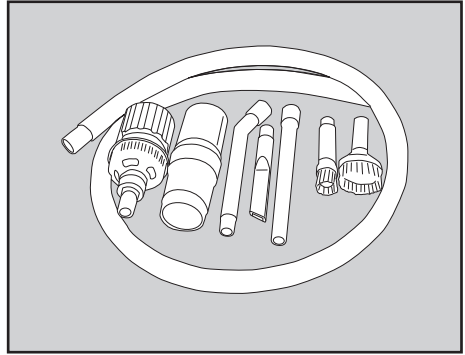


Fig. 14

## Adjustable Angle Adapter (Fig. 15)

Attach the angle adapter onto the end of the wand to clean hard to reach areas.

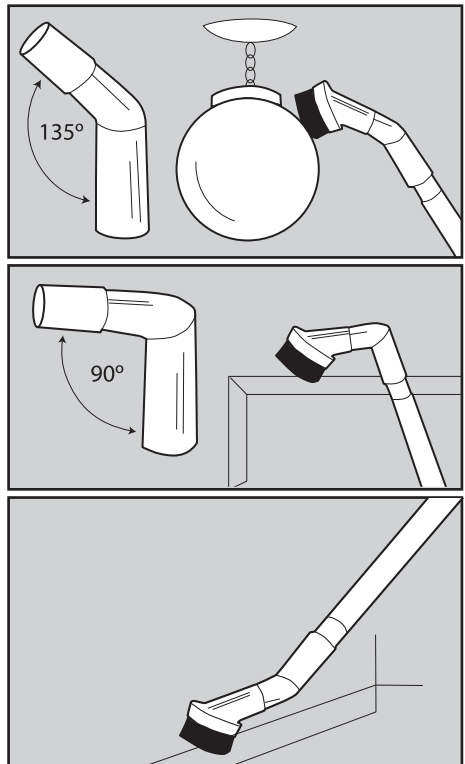


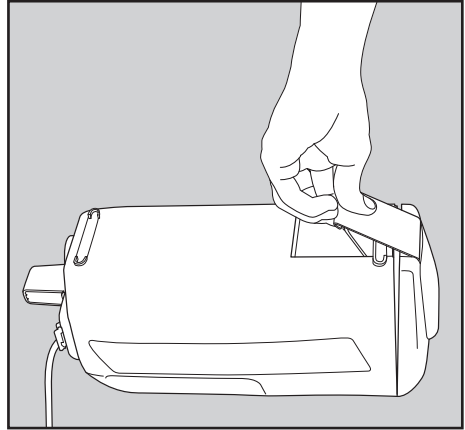
Fig. 15

# Maintenance and Care

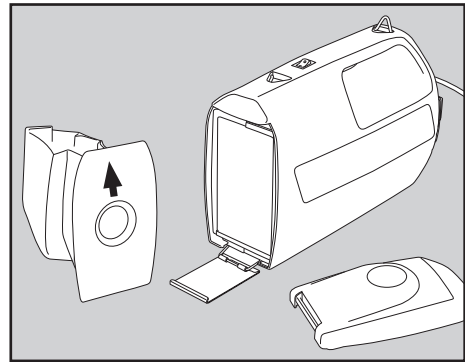
## Replacing the Vacuum Bag

- Turn the vacuum over. Lift up the cover retaining clip to remove the cover (Fig. 16).
- Remove and discard the used bag.
- Install a new bag with the arrow on the cardboard pointing to the top of the vacuum (Fig. 17).
- Replace the cover and close the retaining latch.

NOTE: The vacuum bag cannot be reused.



**Fig. 16**



**Fig. 17**

## When to Change the Filter

At a minimum, it's recommended to replace the filters once a year or after using 12 vacuum bags, whichever comes first.

If someone in your household is sensitive to airborne allergens, it is recommended to change the filter after every six vacuum bags.

## Replacing the Charcoal Filter

- Turn the vacuum over. Lift up the cover retaining clip to remove the cover (Fig. 18).
- Remove the bag (Fig. 19).
- Remove and discard the used filter from the inside back wall of the vacuum.
- Place the new charcoal filter in the back wall of the vacuum. It should fit snugly against the inside wall of the vacuum (Fig. 20).
- Replace the vacuum bag.
- Replace the cover and close the retaining latch.

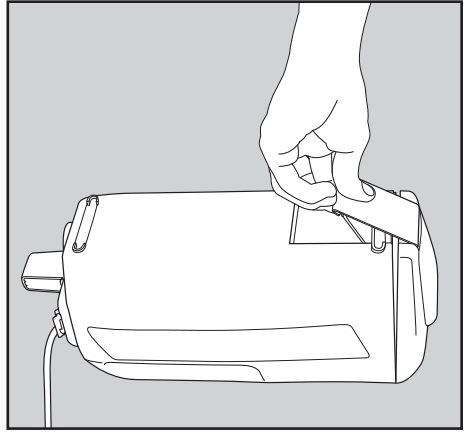


Fig. 18

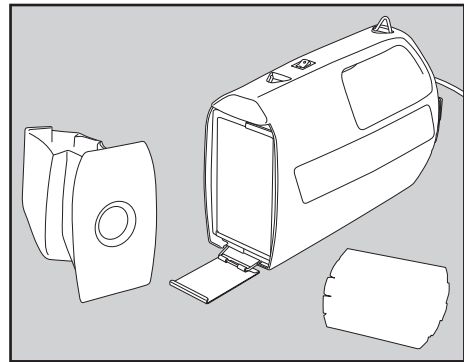


Fig. 19

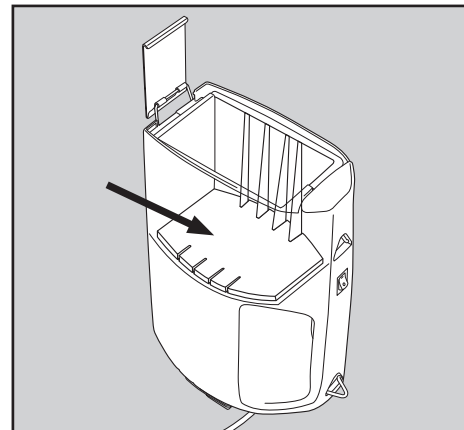


Fig. 20

# Problem Solving Guide

## Troubleshooting

| PROBLEM   | Check Point                                    | POSSIBLE SOLUTION   |
|---|--|---|
| Vacuum won't turn on  | • Power cord not firmly plugged in             | • Plug unit in firmly                                       |
|   | • Blown fuse or tripped breaker                | • Check house fuse or breaker. Replace fuse / reset breaker |
|   | • Needs service                                | • Take to an authorized service center                      |
| Vacuum won't pick up or low suction   | • Vacuum bag full                              | • Install new bag   |
|   | • Clogged filter                               | • Install new filter  |
|   | • Hose clogged                                 | • Remove obstacle   |
| Dust escaping from vacuum   | • Bag compartment cover not installed properly | • Reinsert the cover and secure latch                       |
|   | • Filter not installed correctly               | • Review filter installation (page 12)                      |
|   | • Vacuum bag not installed correctly           | • Review bag installation (page 11)                         |
| <p>Any other service should be done by an Authorized Riccar Vacuum Retailer.</p> <p>To locate your nearest retailer, visit our website at <b>Riccar.com</b> or call <b>1-888-6-RICCAR</b></p> |  |   |

## Key Placement Parts

- Genuine package of 6 paper bags and 1 filter Part # RSQ-6

# Warranty

**What is Covered:**

This warranty covers any defects in material and workmanship in your new Riccar vacuum.

**How Long Coverage Lasts:**

Warranty coverage for the Riccar Supraquik vacuum lasts one year.

**What is Not Covered:**

- Damage to the vacuum which occurs from neglect, abuse, alterations, accident, misuse or improper maintenance.
- Normal replacement items: disposable bags and disposable filters.

**What Riccar Vacuums Will Do:**

This warranty provides, at no cost to you, all labor and parts to keep this vacuum in correct operating condition during the warranted period.

**How to Get Service:**

Warranty service can only be obtained by presenting the vacuum to the retailer where original purchase was made. A proof-of-purchase and product serial number will be required before service is rendered.

THIS WARRANTY IS EXCLUSIVE AND IN LIEU OF ANY AND ALL OTHER WARRANTIES WHETHER WRITTEN, ORAL, EXPRESSED OR IMPLIED, (INCLUDING ANY WARRANTY OF MERCHANTABILITY OR FITNESS FOR A PARTICULAR PURPOSE). THIS WARRANTY DISCLAIMS LIABILITY FOR INCIDENTAL OR CONSEQUENTIAL DAMAGES.

**How State Law Applies:**

This warranty gives you specific legal rights, and you may also have other rights which vary from state to state.



# Owner's Warranty Information

*keep this for your records...*

Date of purchase \_\_\_\_\_

Serial number \_\_\_\_\_

Model number \_\_\_\_\_

## **Purchased from:**

Store name \_\_\_\_\_

Address \_\_\_\_\_

City, State, Zip \_\_\_\_\_

Telephone \_\_\_\_\_

## For Best Performance

- Keep machine and all accessories clean and in good operating condition.
- Change vacuum bag and filter as recommended to maintain optimum cleaning efficiency.
- Always use genuine bags, filters and parts, as use of other products may result in poor cleaning or filtration performance. Riccar filtration products are designed for maximum performance.
- Have machine checked periodically by the retailer where you purchased your Riccar vacuum.
- Store machine carefully in dry area.
- For optimum cleaning performance and safety, follow your owner's manual.

Register your warranty online at **Riccar.com**



# Index

|   |    |
|---|----|
| <b>CONSIGNES DE SÉCURITÉ IMPORTANTES</b> .....        | 2  |
| Instructions de polarisation .....                    | 3  |
| Description de l'aspirateur .....                     | 4  |
| <b>L'opération</b>                                    |    |
| Allumer/Éteindre l'aspirateur .....                   | 6  |
| Transport de l'aspirateur .....                       | 6  |
| Nettoyez les planchers .....                          | 7  |
| <b>Nettoyage des pièces</b>                           |    |
| Accessoires de nettoyage .....                        | 8  |
| Régler la puissance d'aspiration .....                | 9  |
| Utiliser le port du ventilateur .....                 | 9  |
| Kit outil Micro and Adaptateur d'angle réglable ..... | 10 |
| <b>Entretien et soin</b>                              |    |
| Remplacer le sac de l'aspirateur .....                | 11 |
| Quand remplacer les filtres .....                     | 12 |
| Remplacer le filtre à charbon .....                   | 12 |
| <b>Guide de résolution de problèmes</b>               |    |
| Dépannage .....                                       | 13 |
| Comment contacter votre revendeur autorisé .....      | 13 |
| Les principales pièces de remplacement .....          | 13 |
| <b>Garantie</b> .....                                 | 14 |
| <b>Pour une meilleure performance</b> .....           | 15 |
| <b>Informations du propriétaire</b> .....             | 15 |

## Registre du client

Vous trouverez les numéros de modèle et de série de ce produit au dos de l'appareil. Enregistrez votre aspirateur Riccar en ligne sur Riccar.com dès que possible pour votre protection. Écrivez également les numéros de modèle et de série de votre aspirateur dans les espaces prévus ci-dessous et de conserver ce manuel comme preuve permanente de votre achat.

Numéro de modèle \_\_\_\_\_

Numéro de série \_\_\_\_\_

Date d'achat \_\_\_\_\_

Votre aspirateur Riccar est un produit constitué de matériaux de première qualité et fabriqué par une main-d'œuvre hautement compétente. Nous vous conseillons vivement de lire ces consignes attentivement avant d'utiliser cet aspirateur, afin de pouvoir profiter pleinement de toutes ses caractéristiques et d'en tirer toute la satisfaction qu'il peut vous offrir.

## Conservez ces instructions

Avant de brancher votre aspirateur Riccar, assurez-vous que la tension indiquée sur la plaque signalétique située à l'arrière de votre aspirateur est la même que celle de votre alimentation locale.

# Consignes de sécurité importantes

Lors de l'utilisation d'un appareil électrique, il est toujours important de prendre des mesures de précaution, dont les suivantes :

## LISEZ TOUTES LES INSTRUCTIONS AVANT D'UTILISER CET APPAREIL

Le fabricant ne pourra être tenu responsable en cas de dommage provoqué par une utilisation non conforme aux instructions fournies, ou de toute utilisation dans un but autre que celui auquel il est destiné..

Afin de réduire le risque d'incendie, de choc électrique ou de blessure :

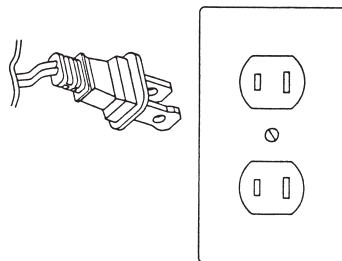
- Ne laissez pas l'appareil branché sans surveillance. Débranchez-le lorsqu'il n'est pas en utilisation et avant de procéder à son entretien.
- **AVERTISSEMENT : IL EXISTE UN RISQUE D'ÉLECTROCUTION EN CAS D'UTILISATION À L'EXTÉRIEUR OU SUR DES SURFACES HUMIDES.**
- Ne laissez pas les enfants jouer avec l'appareil. Restez vigilant lors de son utilisation par des enfants ou à proximité des enfants.
- Utilisez cet appareil uniquement selon les instructions décrites dans ce manuel. Utilisez uniquement les pièces recommandées par le fabricant.
- N'utilisez pas cet appareil si le cordon ou la prise est endommagée. Si cet appareil ne fonctionne pas comme prévu, s'il a subi une chute, a été endommagé, exposé à des intempéries, ou s'il est tombé à l'eau, renvoyez-le à votre Revendeur agréé pour le faire réparer.
- Ne tirez ni ne soulevez l'appareil par le cordon, n'utilisez pas le cordon comme poignée, ne fermez pas une porte sur le cordon ni ne serrez le cordon autour de bords ou coins tranchants. Ne faites pas rouler l'appareil sur le cordon. Gardez le cordon éloigné des surfaces chaudes.
- Ne débranchez pas l'appareil en tirant sur le cordon. Pour le débrancher, tirez sur la fiche, pas sur le cordon.
- Ne manipulez pas la fiche ou l'appareil avec les mains mouillées.
- Ne glissez pas d'objets dans les ouvertures. N'utilisez pas l'appareil si une ouverture est obstruée ; évitez l'accumulation de poussières, de peluches, de cheveux ou de tout autre élément pouvant réduire le flux d'air.
- Tenez les cheveux, les habits amples, les doigts et toute autre partie du corps à distance des ouvertures et des pièces mobiles.
- N'aspirez pas d'éléments incandescents ou émettant de la fumée, tels que des cigarettes, des allumettes ou des cendres chaudes.
- N'utilisez pas sans sac d'aspirateur ou filtre en place.
- Éteignez toutes les commandes avant de débrancher.
- Prenez des précautions supplémentaires au moment de nettoyer sur des escaliers.
- N'utilisez pas l'appareil pour aspirer des liquides inflammables ou combustibles tels que de l'essence ou dans des zones pouvant en contenir.
- N'essayez pas de nettoyer ou de réparer l'unité lorsqu'elle est branchée.

# CONSERVEZ CES INSTRUCTIONS

# Câble polarisé à deux conducteurs

## **CORDON D'ALIMENTATION, CORDON POLARISÉ À 2 FILS**

Afin de réduire le risque de choc électrique, ce produit est équipé d'une fiche à courant alternatif polarisé (une fiche ayant une broche plus large que l'autre). Cette fiche entre dans la prise uniquement dans un sens. Il s'agit d'un dispositif de sécurité. Si vous ne parvenez pas à brancher totalement la fiche dans la prise, essayez en inversant le sens de la fiche. Si vous ne parvenez toujours pas à brancher correctement la fiche, contactez un électricien qualifié afin de remplacer la prise obsolète. Ne tentez pas de neutraliser le dispositif de sécurité de la prise polarisée.

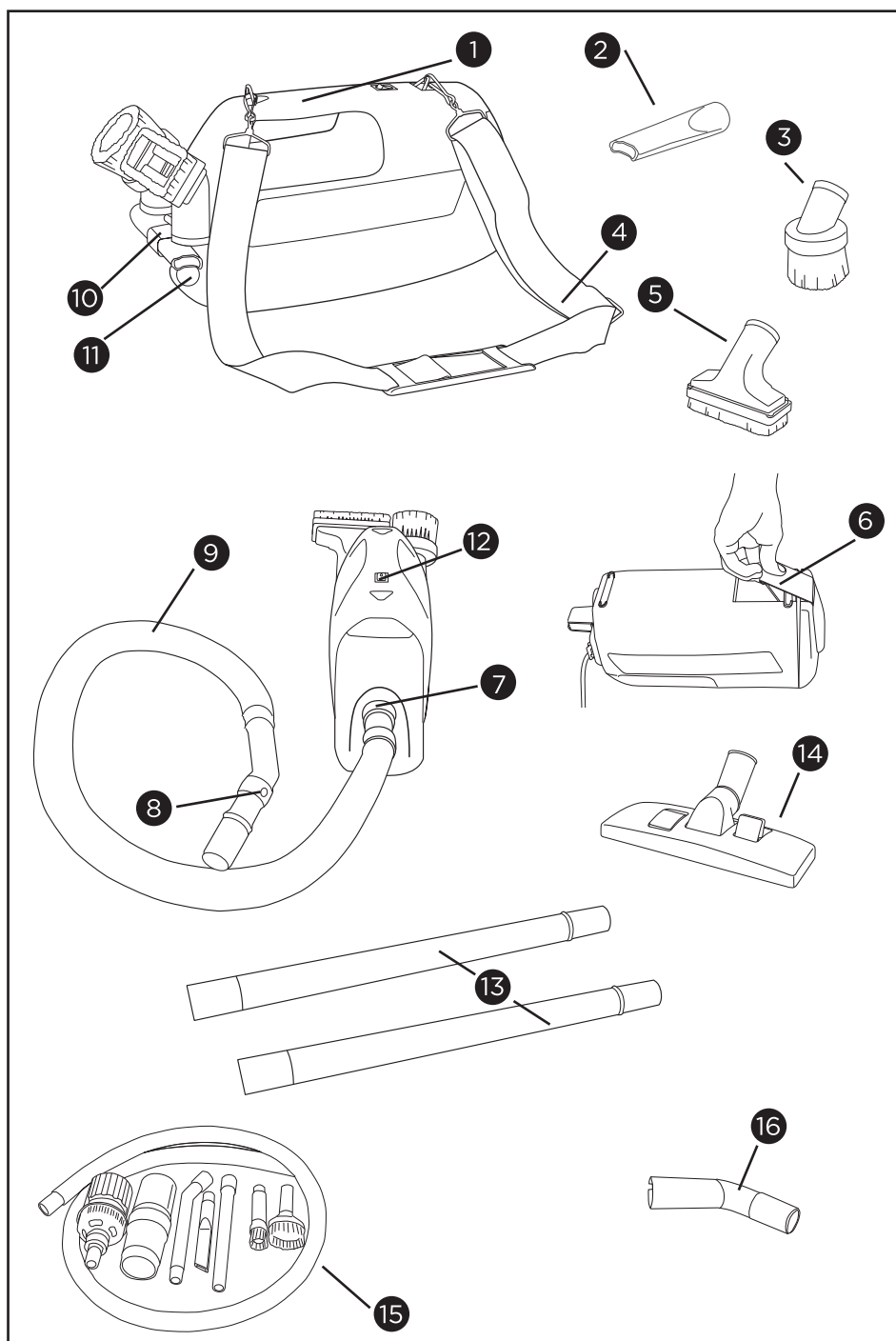


Avertissements de la proposition 65 de l'état de Californie :

AVERTISSEMENT : Ce produit contient un ou plusieurs produits chimiques reconnus par l'État de Californie comme étant cancérigènes.

AVERTISSEMENT : Ce produit contient un ou plusieurs produits chimiques reconnus par l'État de Californie comme étant susceptibles de provoquer des malformations congénitales ou d'autres problèmes reproductifs.

# L'identification des pieces



# L'identification des pieces

- 1 Poignée de transport
- 2 Suceur plat
- 3 Brosse dépoussiérante
- 4 Bretelles
- 5 Interrupteur principal Marche/Arrêt
- 6 Couvercle du compartiment à sac et loquet de rétention.
- 7 Port d'entrée d'aspiration
- 8 Cordon d'alimentation / cordon de rangement
- 9 Anneau de relâchement d'aspiration
- 10 Tuyau
- 11 Support d'accessoires de nettoyage
- 12 Port de ventilation
- 13 Brosse pour tapisseries/glisse sur brosse
- 14 L'outil de sol tapis
- 15 Kit outil micro
- 16 Adaptateur d'angle réglable

## Allumer/éteindre l'aspirateur (Fig. 1)

- Pour allumer l'aspirateur, appuyez sur l'interrupteur Allumé/Éteint situé sur la poignée à la position « Marche » (I).
- Pour éteindre l'aspirateur, appuyez sur l'interrupteur marche/arrêt à la position « Éteint » (O).
- Éteignez l'aspirateur avant de débrancher de la prise électrique.

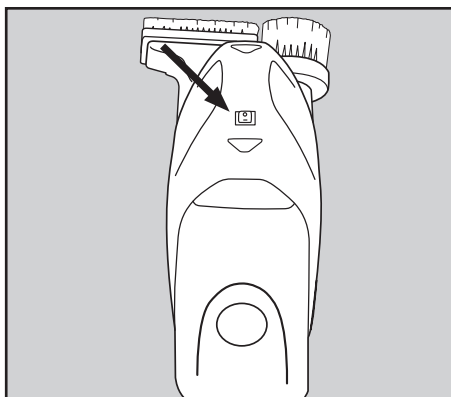


Fig. 1

## Transporter l'aspirateur (Fig. 2)

Afin de transporter votre aspirateur en toute sécurité, servez-vous de la poignée de transport/bretelles.

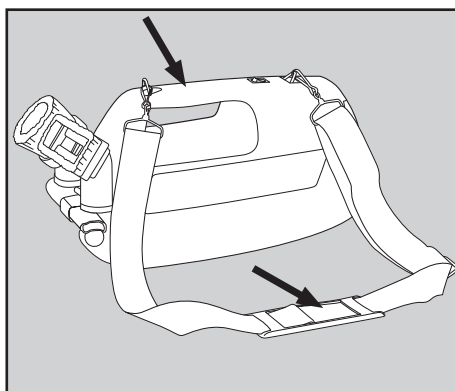


Fig. 2

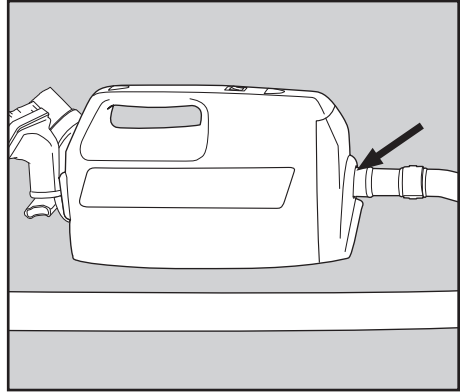


## Nettoyez les planchers

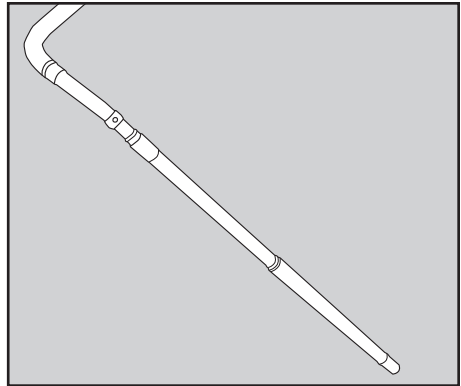
Avec les accessoires de nettoyage et le tube d'aspiration, votre aspirateur constitue un système de nettoyage intégral.

- Raccordez le tuyau à l'entrée du port d'aspiration et tournez le loquet en place (Fig. 3)
- Raccordez le tube-rallonge au bout de la poignée courbée du tuyau (Fig. 4).
- Raccordez l'accessoire à plancher au bout du tube-rallonge pour nettoyer les planchers et les tapis (Fig. 5).

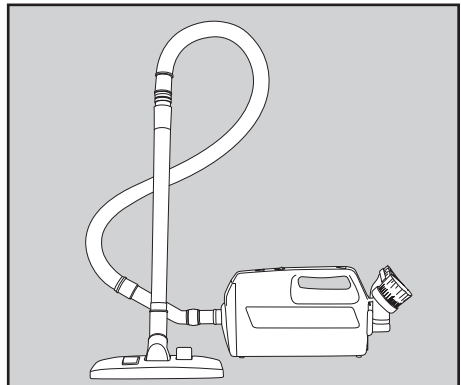
REMARQUE : Vous pouvez raccorder n'importe quel accessoire de nettoyage au bout du tube-rallonge et le fixez en tournant. Pour retirer l'accessoire de nettoyage du tube-rallonge, simplement tournez et tirez.



**Fig. 3**



**Fig. 4**



**Fig. 5**

# Nettoyage des pièces

## Accessoires de nettoyage

Votre aspirateur est équipé d'une brosse dépoussiérante, d'un accessoire pour tapisserie et d'un suceur plat. D'autres accessoires sont disponibles au centre de service Riccar.

- Raccordez le tuyau au port d'entrée d'aspiration et tournez le loquet en place.
- Raccordez le tube-rallonge au bout de la poignée arrondie du tuyau.
- Insérez l'accessoire de votre choix à l'extrémité du tube.

### Brosse dépoussiérante (Fig. 6)

Idéale pour les dessus de table, les étagères, les stores ou les sols durs.

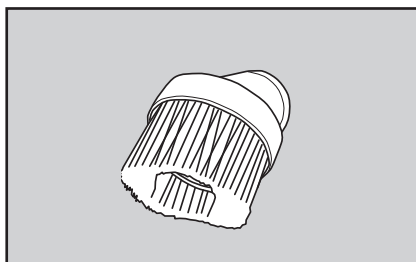


Fig. 6

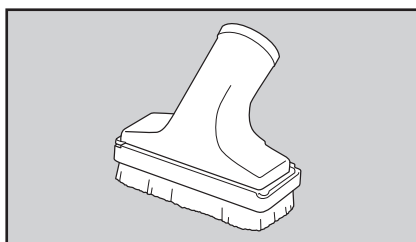


Fig. 7

### Accessoire pour tapisserie/glisse sur brosse (Fig. 7)

Idéal pour les surfaces souples comme les chaises et les canapés.

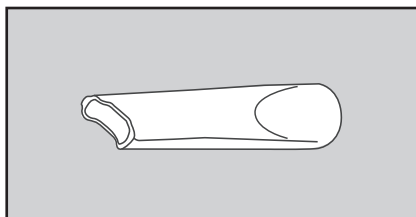


Fig. 8

### Suceur plat (Fig. 8)

Idéal pour les endroits étroits, par exemple entre les coussins des sièges ou dans les coins.

### Support pour accessoires de nettoyage (Fig. 9)

Votre aspirateur est muni d'un support pratique pour les accessoires de nettoyage.

- Glissez le support dans le sillon au-dessus du ventilateur et raccordez les accessoires au support.

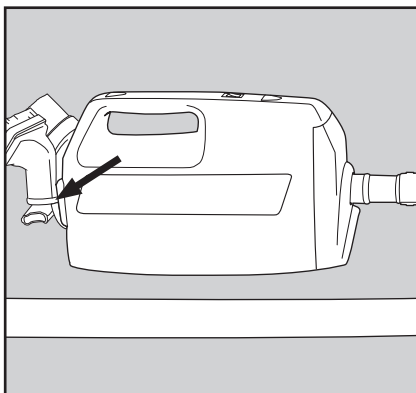


Fig. 9

# Nettoyage des pièces

## Régler la puissance d'aspiration selon L'accessoire de nettoyage (Fig. 10)

Sur la poignée du tuyau, localisez l'anneau de détente d'aspiration et tournez-le à la position désirée. Cela permet de réduire la puissance d'aspiration du tuyau. Refermez la valve de contrôle de la puissance d'aspiration lorsque vous avez terminé afin de récupérer la puissance d'aspiration maximale.

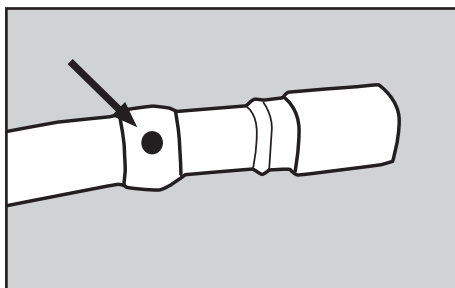


Fig. 10

## Utiliser le port du ventilateur

Raccordez le tuyau au port d'échappement (Fig. 11) pour activer la fonction de ventilateur. Ensuite, fixer l'adaptateur de l'inflation (inclus dans la trousse d'outils de micro) à l'extrémité du flexible pour le gonflage de matelas, radeaux, etc (Fig. 12).

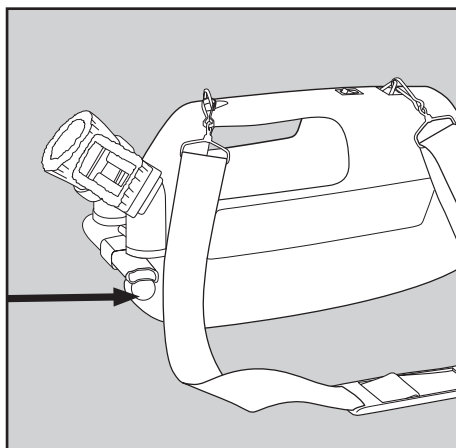


Fig. 11

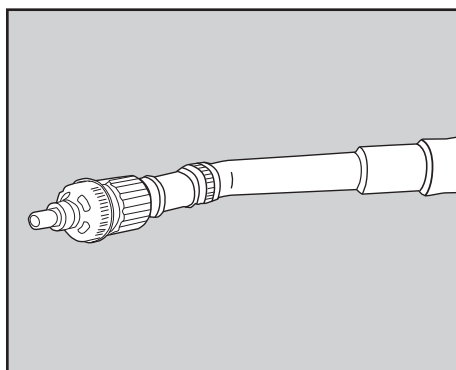


Fig. 12

# Nettoyage de pièces jointes

## Outils de nettoyage supplémentaires

La trousse d'outils de micro et angle ajustable adaptateur sont les accessoires standards de votre aspirateur.

### Kit outil Micro (Fig. 13)

Tous les outils nécessaires pour le nettoyage de vos accessoires de délicates, les claviers d'ordinateurs ou de gonfler un matelas d'air.

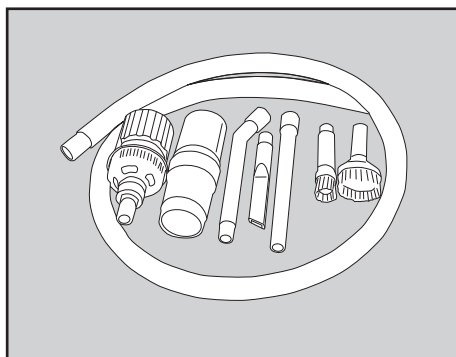


Fig. 13

### Adaptateur d'angle réglable (Fig. 14)

Fixez l'adaptateur d'angle sur l'extrémité de la baguette pour nettoyer les endroits difficiles d'accès

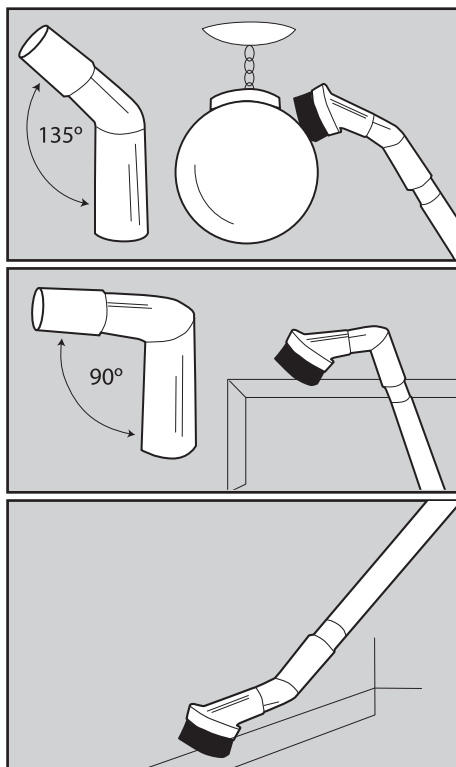


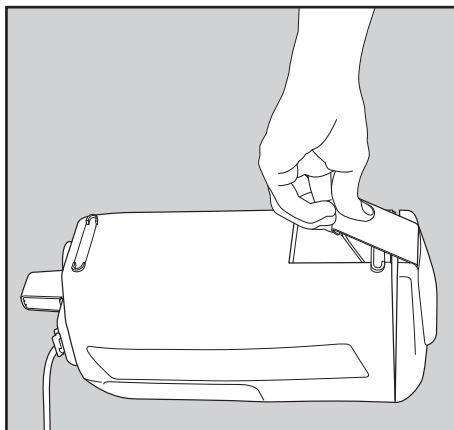
Fig. 14

### Remplacez le sac de l'aspirateur

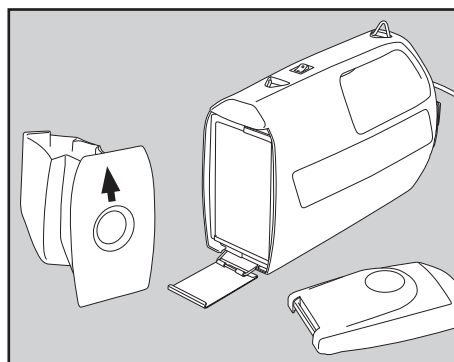
Soulevez la pince de rétention du couvercle pour enlever le couvercle (Fig. 15).

- Retirez et jetez le sac usagé.
- Installez un nouveau sac avec la flèche du carton pointant vers le haut de l'aspirateur (Fig. 16).
- Remplacez le couvercle et le loquet . des pinces de rétention

REMARQUE : Le sac de l'aspirateur ne peut pas être réutilisé.



**Fig. 15**



**Fig. 16**

## Quand remplacer les filtres

Il est recommandé de remplacer au minimum les filtres une fois par an ou après l'utilisation de 12 sacs.

Si l'un des membres de votre foyer est sensible aux allergènes en suspension dans l'air, nous vous conseillons de changer les filtres tous les six sacs d'aspirateur.

## Remplacer le filtre à charbon

- Soulevez la pince de rétention du couvercle pour retirer le couvercle (Fig. 17).
- Retirez le sac. (Fig. 18).
- Retirez le filtre usagé de la paroi arrière de l'aspirateur et jetez-le.
- Placez le nouveau filtre à charbon sur la paroi arrière de l'aspirateur. Il devrait se placer confortablement sur les parois intérieur de l'aspirateur (Fig. 19).
- Remplacez le sac de l'aspirateur.
- Remplacez le couvercle et le loquet des pinces de rétention.

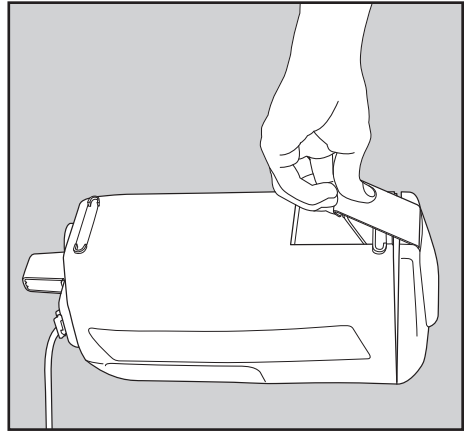


Fig. 17

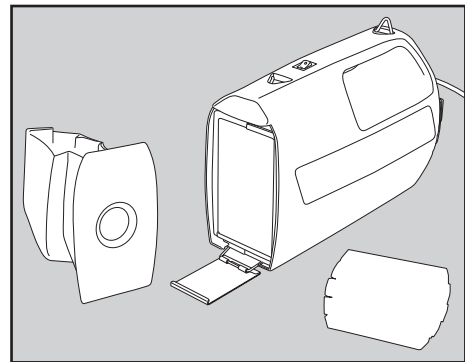


Fig. 18

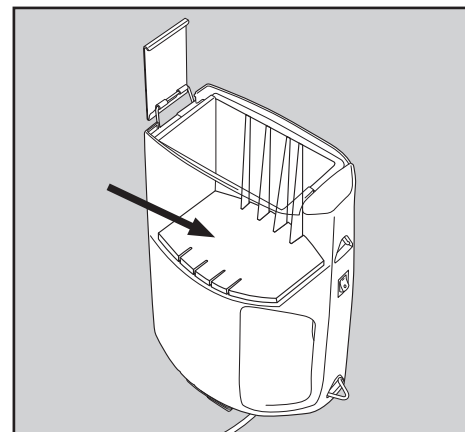


Fig. 19

# Dépannage

| PROBLÈME   | RAISONS POSSIBLES  | SOLUTIONS POSSIBLES  |
|--|--|--|
| L'aspirateur ne s'allume pas.  | • Le cordon n'est pas bien branché                       | • Branchez fermement l'unité   |
|  | • Fusible ou disjoncteur sauté                           | • Examinez le fusible ou le disjoncteur. Remplacez le fusible / réinitialisez le disjoncteur |
|  | • Doit faire l'objet d'une réparation                    | • Rapportez l'appareil au centre de service  |
| L'aspirateur n'aspire pas ou aspire peu.   | • Sac de l'aspirateur plein                              | • Installez un nouveau sac   |
|  | • Filtre bouché  | • Installez un nouveau filtre  |
|  | • Tuyau bouché.  | • Supprimez l'obstacle.  |
| L'aspirateur émet de la poussière.   | • Le compartiment à sac n'est pas installé correctement  | • Réinsérez le couvercle et sécurisez le loquet  |
|  | • Le filtre n'est pas installé correctement              | • Examinez l'installation du filtre (pages 11)   |
|  | • Le sac de l'aspirateur n'est pas correctement installé | • Examinez l'installation du filtre (pages 10)   |
| <p>Tout autre réparation doit être effectuée au centre de service Riccar.<br/> <b>Riccar.com</b></p> |  |  |

## Sacs de remplacement et de filter

- Riccar authentiques Sacs Sous Vide Paquet de 6 sacs papier et filtre 1 Partie # RSQ-6

# Garantie

## **Ce qui est couvert par cette garantie :**

La présente garantie couvre tous défauts de matériau et de fabrication de votre nouvel aspirateur de Riccar.

## **Durée de la garantie :**

La garantie pour l'aspirateur Riccar est d'un an. Les modèles domestiques utilisés commercialement sont uniquement garantis pendant 90 jours.

## **Ce que cette garantie ne couvre pas :**

- Dommages de l'aspirateur en raison de négligence, d'abus, d'altérations, d'accident, d'utilisation non-conforme ou d'entretien inadapté.
- Articles de remplacement normaux : sacs et filtres jetables

## **Ce que Riccar fera :**

Cette garantie fournit, sans que vous n'ayez à encourir de frais, toute la main-d'œuvre et toutes les pièces nécessaires pour conserver cet aspirateur en bon état de fonctionnement pendant la période de garantie.

## **Comment obtenir ces services :**

Les services de garantie peuvent uniquement être obtenus en présentant l'aspirateur auprès d'un centre de service autorisé Riccar. Avant qu'il ne soit procédé au service, vous devrez présenter une preuve d'achat et le numéro de série du produit en question.

LA PRÉSENTE GARANTIE EST EXCLUSIVE ET REMPLACE TOUTE AUTRE GARANTIE ÉCRITE, ORALE, EXPLICITE OU IMPLICITE (Y COMPRIS TOUTE GARANTIE DE QUALITÉ MARCHANDE OU DE CONFORMITÉ À UN USAGE PARTICULIER). CETTE GARANTIE REJETTE TOUTE RESPONSABILITÉ POUR DOMMAGES ACCIDENTELS OU CONSÉQUENTS.

## **Comment s'applique la loi d'état :**

Cette garantie vous donne des droits particuliers, et il est possible que vous jouissiez aussi d'autres droits variables d'un état à l'autre.

Enregistrez votre garantie en ligne sur **Riccar.com**



# Coordonnées du titulaire de la garantie

*conservez cela pour vos archives...*

Vous trouverez les numéros de modèle et de série de ce produit au dos de l'appareil. Enregistrez votre aspirateur Riccar en ligne sur [www.Riccar.com](http://www.Riccar.com) dès que possible pour votre protection. Écrivez également les numéros de modèle et de série de votre aspirateur dans les espaces prévus ci-dessous et de conserver ce manuel comme preuve permanente de votre achat.

Numéro de modèle \_\_\_\_\_

Numéro de série \_\_\_\_\_

Date d'achat \_\_\_\_\_

## **Acheté auprès de :**

Nom du magasin \_\_\_\_\_

Adresse \_\_\_\_\_

Ville, état, code postal \_\_\_\_\_

Téléphone \_\_\_\_\_

## Pour une meilleure performance

- Gardez la machine et tous les accessoires propres et en bon état de fonctionnement.
- Remplacez les filtres après 6 à 12 sacs ou plus souvent si vous aspirez des poudres fines telles que de la farine ou de la poussière murale sèche.
- Utilisez toujours des filtres et pièces certifiés, car l'utilisation d'autres produits peut entraîner un mauvais nettoyage ou une mauvaise qualité de filtration. Les produits de filtration Riccar sont conçus pour une performance maximale.
- Rangez soigneusement votre appareil dans un endroit sec.
- Pour une meilleure performance de nettoyage et plus de sécurité, suivez les instructions de votre manuel.





RICCAR®  
Ricar.com