

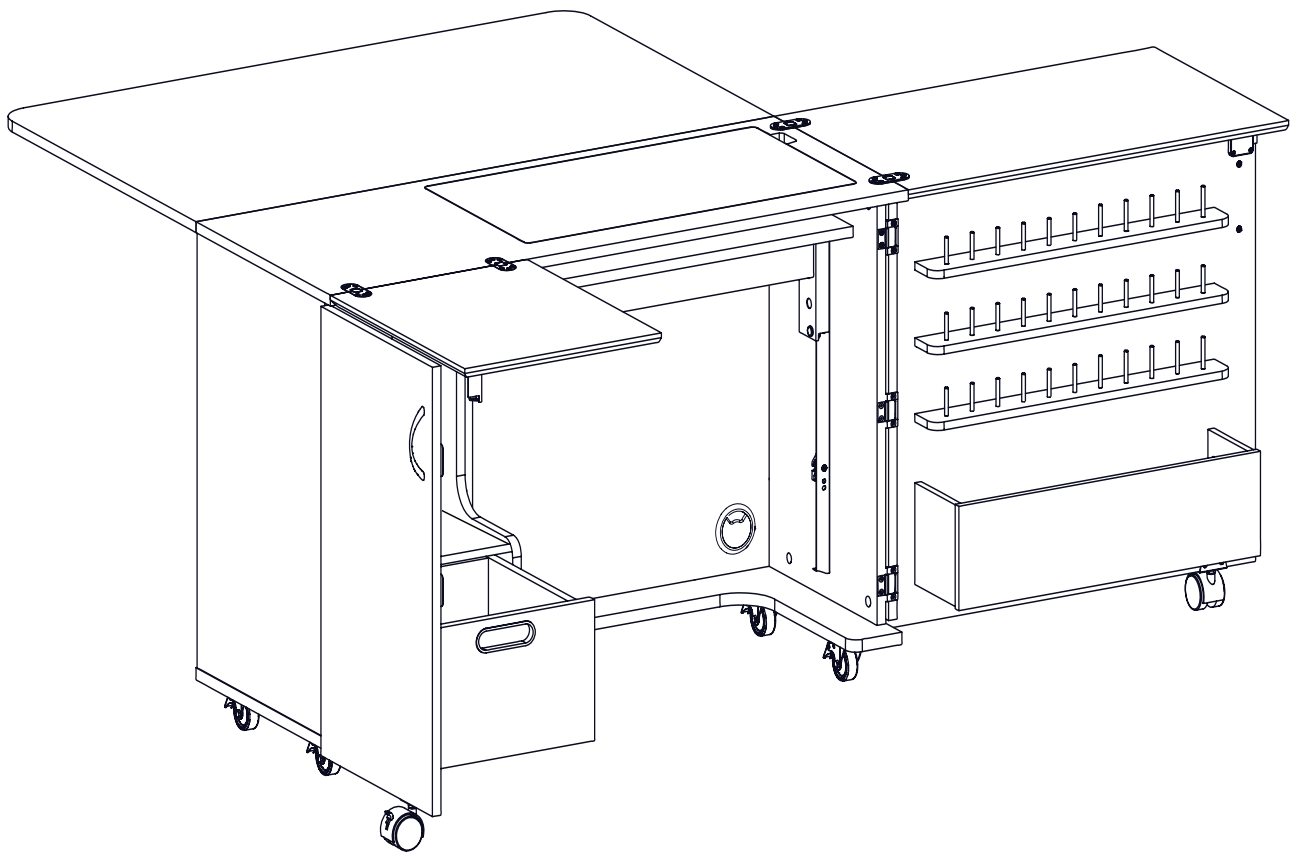


KANGAROO™  
sewing furniture

## ASSEMBLY INSTRUCTIONS

# Wallaby II

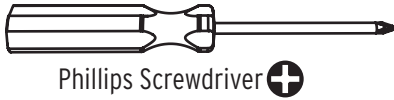
ITEM NO.: K8405 Teak  
K8411 Ash White




# General Assembly Guidelines

1. Read the instructions carefully before beginning the assembly process to ensure proper assembly of this product. Please open and inspect the contents of box(es) to see that all parts and hardware are included.

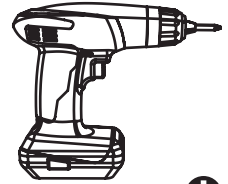
## 2. Tools Required



Phillips Screwdriver 

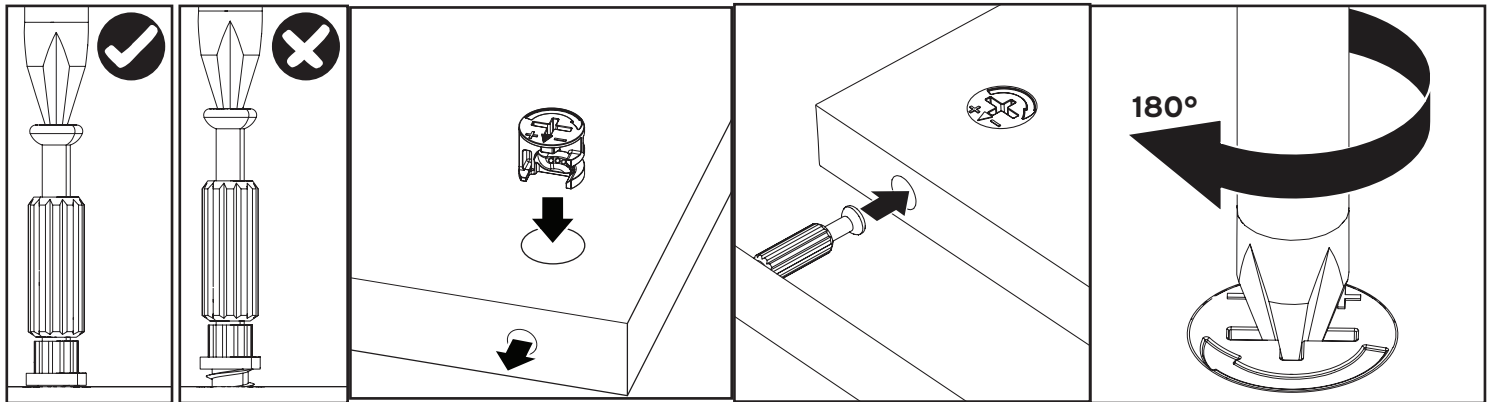


Hammer



Electric Screwdriver 

## 3. Understanding How the Cam Fastener Works



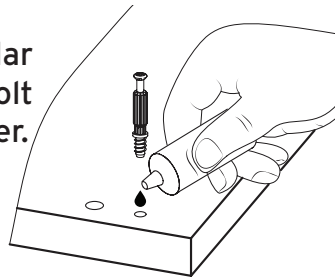
Screw cam bolts flush as illustrated.

Press cam into hole until flush with surface. The arrow direction must be in the direction of the hole.

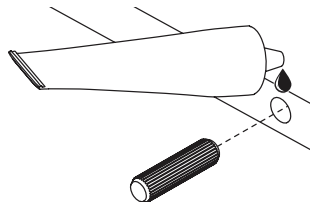
Insert bolt through pre-drilled hole in edge of panel.

Turn clockwise to lock cam with bolt.

**Tip:** place a small bit of WD-40 or similar lubricant into the pre-installed cam bolt holes to help the cam bolts screw in better.



4. **Glue** provided is to secure wood dowels in place and is optional. If glue is used during assembly, locate the appropriate hole for the dowel, place a small amount of glue in the hole and insert the dowel. Wipe away excess glue immediately. It is not necessary to glue the other end of the dowel when attaching to other parts.

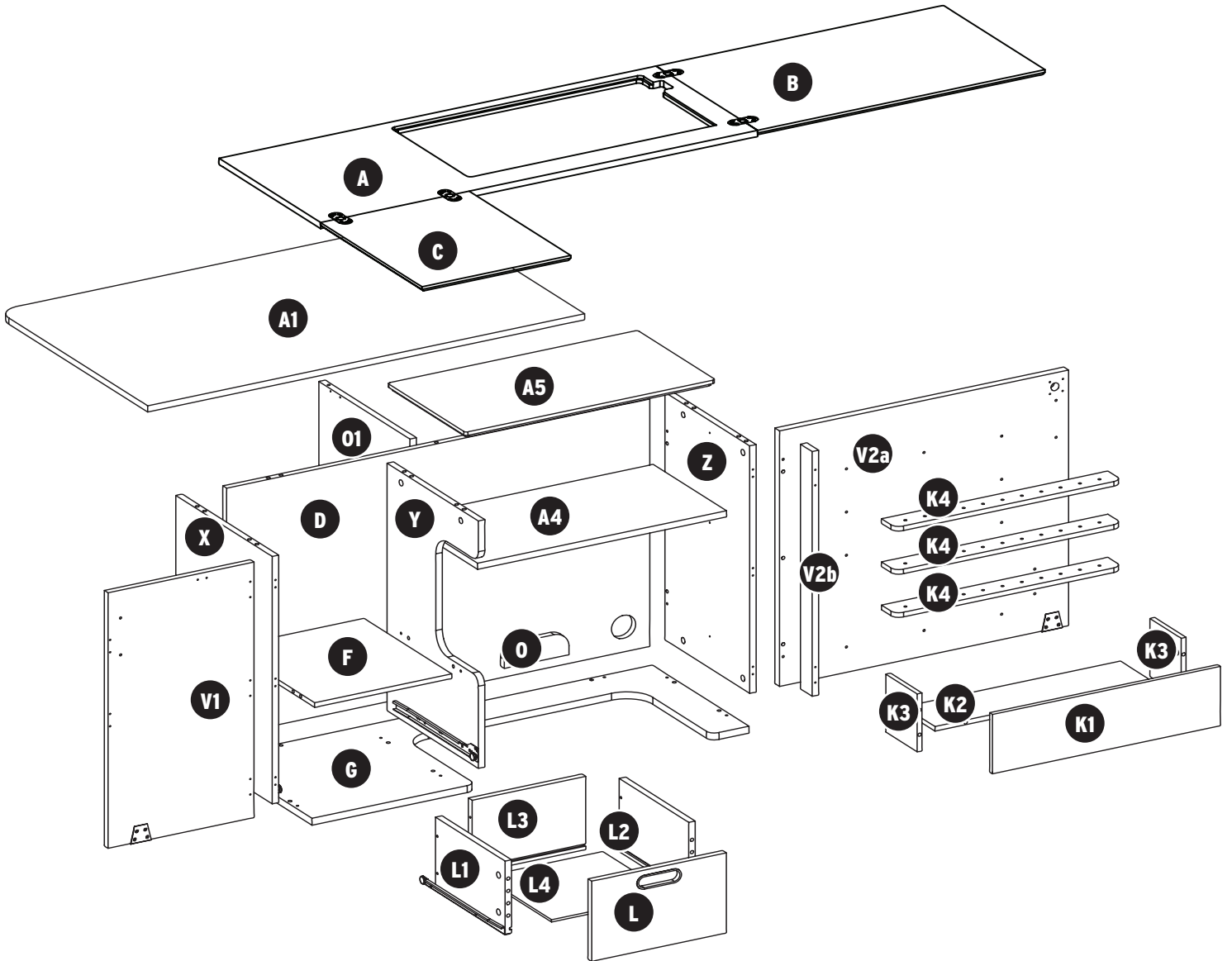


**Use and Care** Your cabinet normally requires a minimum amount of maintenance; however, the following points are worth noting:

**Cleaning** - To remove marks and enhance the surface, wipe with a gentle all-purpose cleanser. **DO NOT** use ammonia-based, harsh chemicals or abrasive cleaning agents. Wipe dry immediately.

**Electrical and Hydraulic Lifts** - Require annual lubrication with WD-40 or similar lubricant.

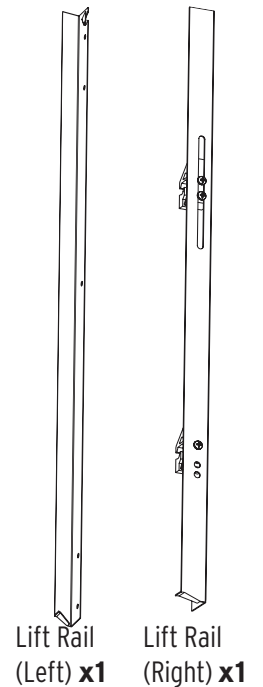
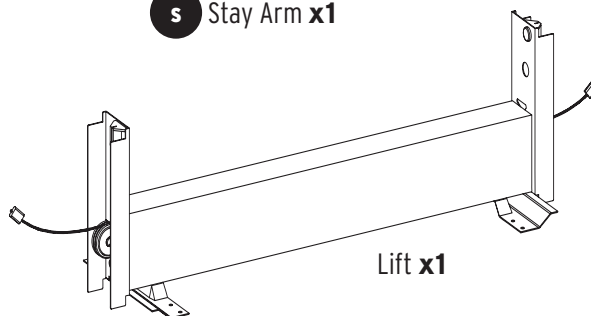
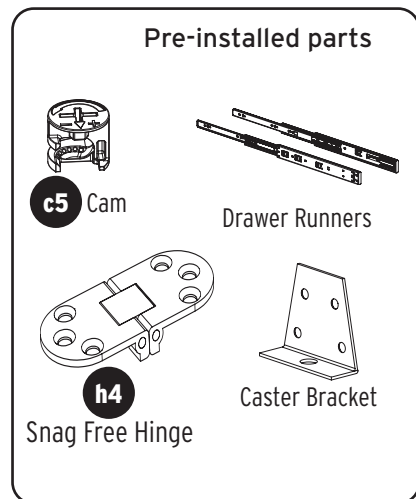
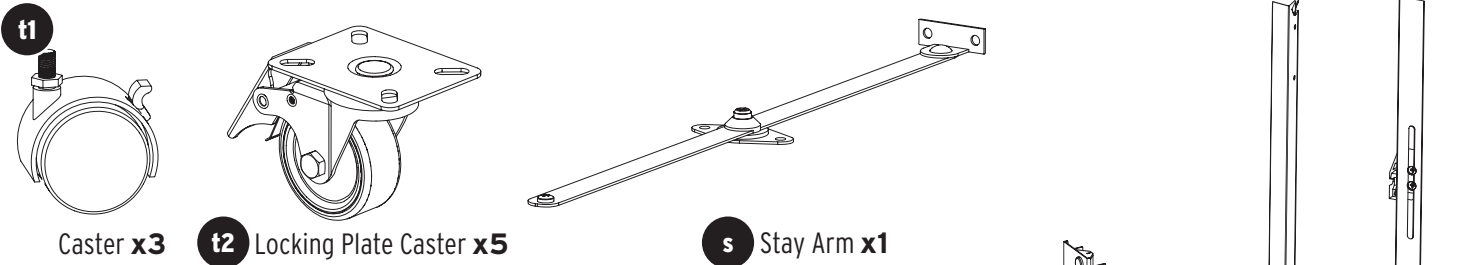
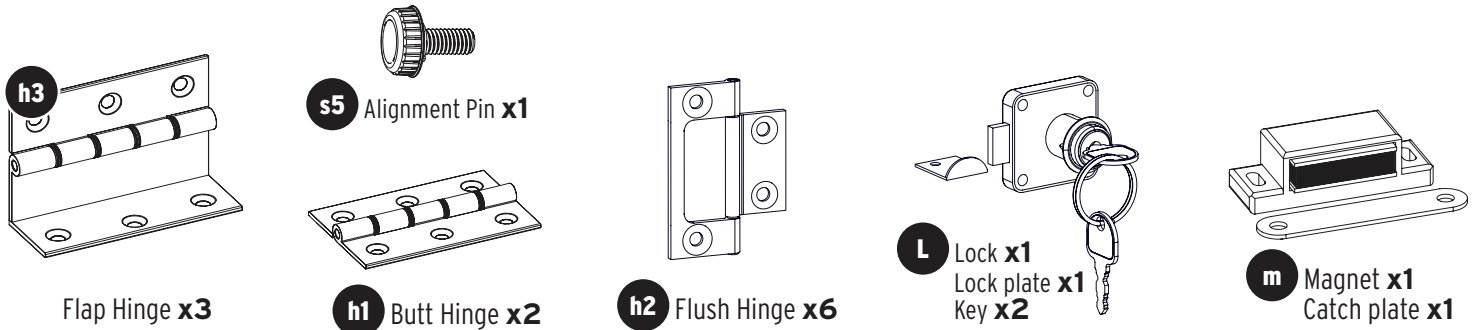
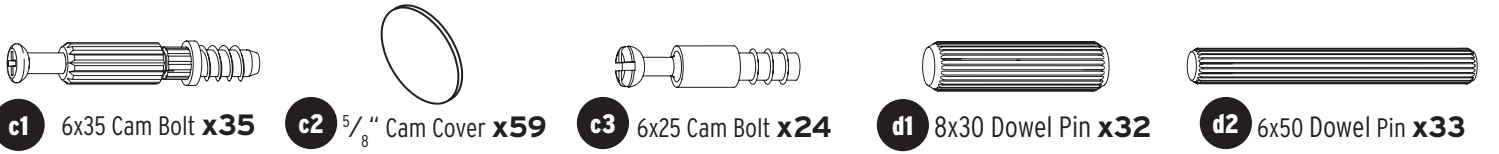
# Parts List: Panels



ITEM	DESCRIPTION	QTY.	PACK.	ITEM	DESCRIPTION	QTY.	PACK.
<b>A</b>	Top Panel	1	3 of 4	<b>V2b</b>	Right Door Edge Panel	1	1 of 4
<b>B</b>	Right Leaf	1	3 of 4	<b>L</b>	Drawer Front	1	1 of 4
<b>C</b>	Left Leaf	1	3 of 4	<b>L1</b>	Drawer Side Left	1	1 of 4
<b>A5</b>	Platform Cover	1	3 of 4	<b>L2</b>	Drawer Side Right	1	1 of 4
<b>G</b>	Bottom Panel	1	3 of 4	<b>L3</b>	Drawer Back	1	1 of 4
<b>D</b>	Back Panel	1	2 of 4	<b>L4</b>	Drawer Bottom	1	1 of 4
<b>Z</b>	Right Side Panel	1	2 of 4	<b>O</b>	Insert Holder	1	1 of 4
<b>A1</b>	Quilt Extension Panel	1	2 of 4	<b>O1</b>	Gate Leg	1	1 of 4
<b>V1</b>	Left Door Panel	1	2 of 4	<b>K1</b>	Door Bin Front Panel	1	1 of 4
<b>V2a</b>	Right Main Door Panel	1	1 of 4	<b>K2</b>	Door Bin Bottom Panel	1	1 of 4
<b>X</b>	Left Side Panel	1	1 of 4	<b>K3</b>	Door Bin Sides	2	1 of 4
<b>Y</b>	Partition	1	1 of 4	<b>K4</b>	Fixed Shelf On Door	3	1 of 4
<b>F</b>	Fixed Shelf	1	1 of 4	<b>A4</b>	Platform	1	1 of 4
					Lift & Rails	1	4 of 4

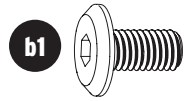
# Parts List: Hardware

**TIP: Keep all the parts in their individually labeled bags. This will make finding parts easier as you assemble your cabinet.**

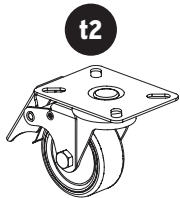


# Step 1: Cabinet Base

We can't wait to get your brand new Wallaby II Sewing Cabinet up and running. Please contact our Customer Service Team at 1-800-533-7347, ext. 1 during normal business hours with any assembly related questions.



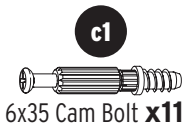
**b1**  
8x16 Fix Bolt **x20**



**t2**  
Locking Plate  
Caster **x5**



**a**  
Allen Wrench **x1**



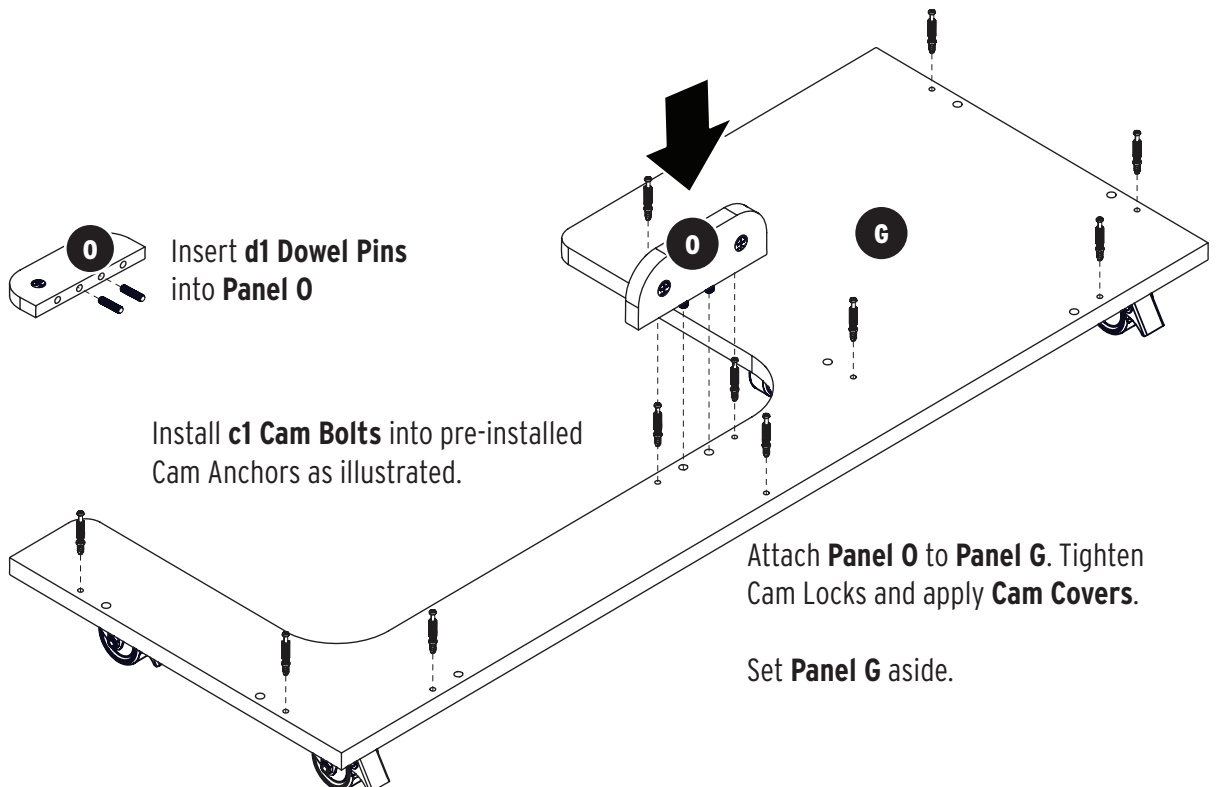
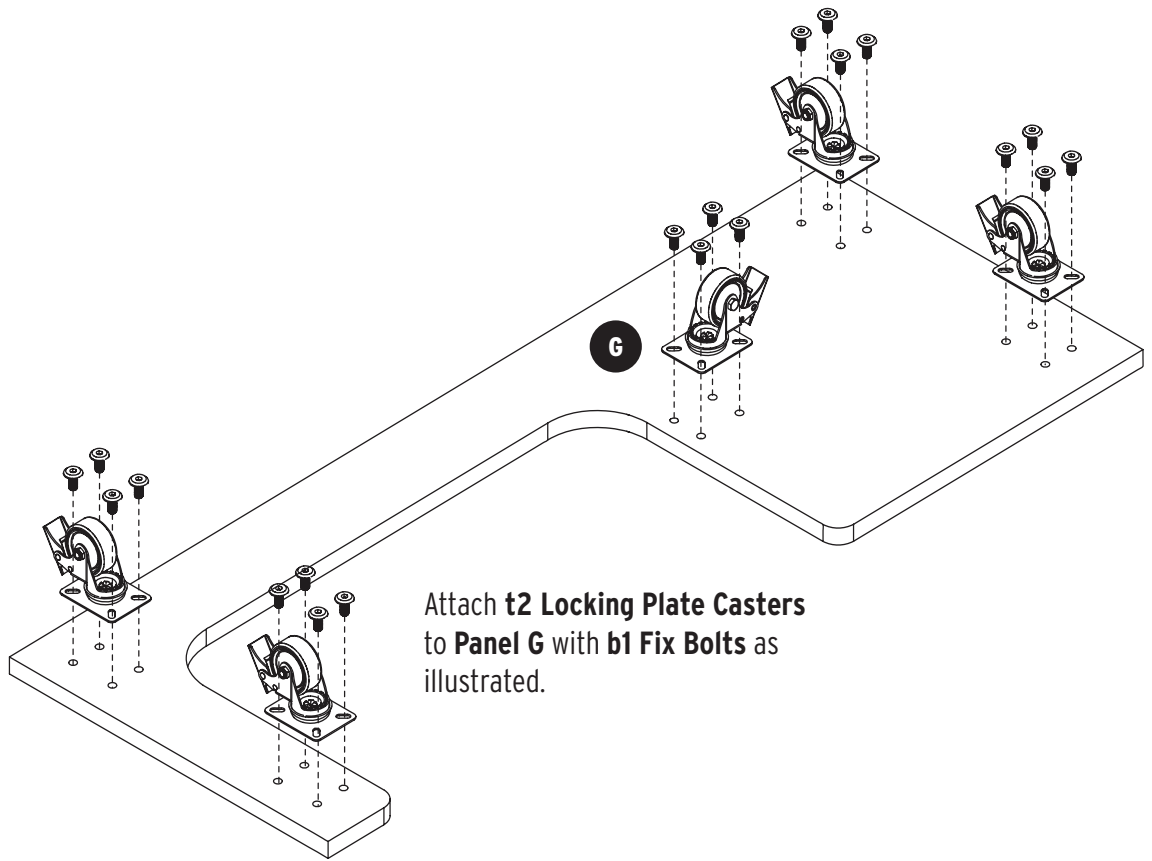
**c1**  
6x35 Cam Bolt **x11**



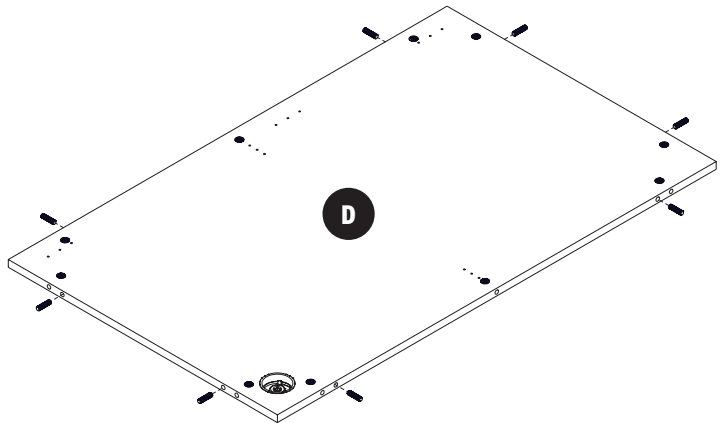
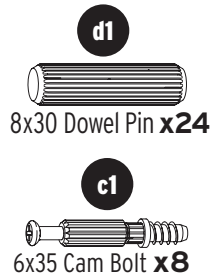
**d1**  
8x30 Dowel Pin **x2**



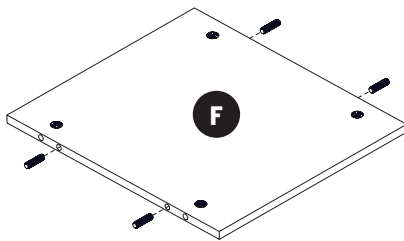
**c2**  
5/8" Cam Cover **x2**



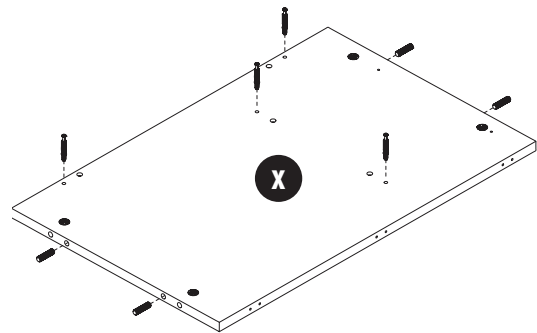
# Step 2: Cabinet Sides and Back



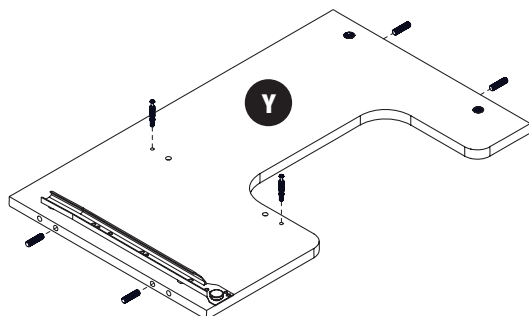
Insert 8 **d1 Dowel Pins** into the edges of **Panel D**



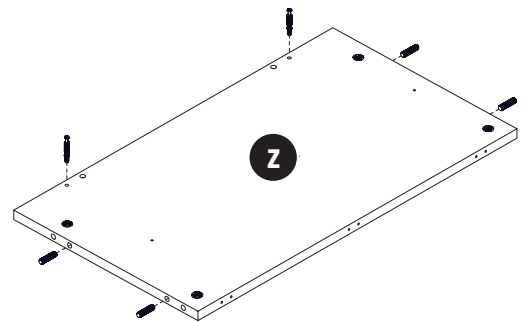
Insert 4 **d1 Dowel Pins** into the edges of **Panel F**



Insert 4 **d1 Dowel Pins** into the edges of **Panel X**  
Install 4 **c1 Cam Bolts** into pre-installed Cam Anchors on **Panel X**

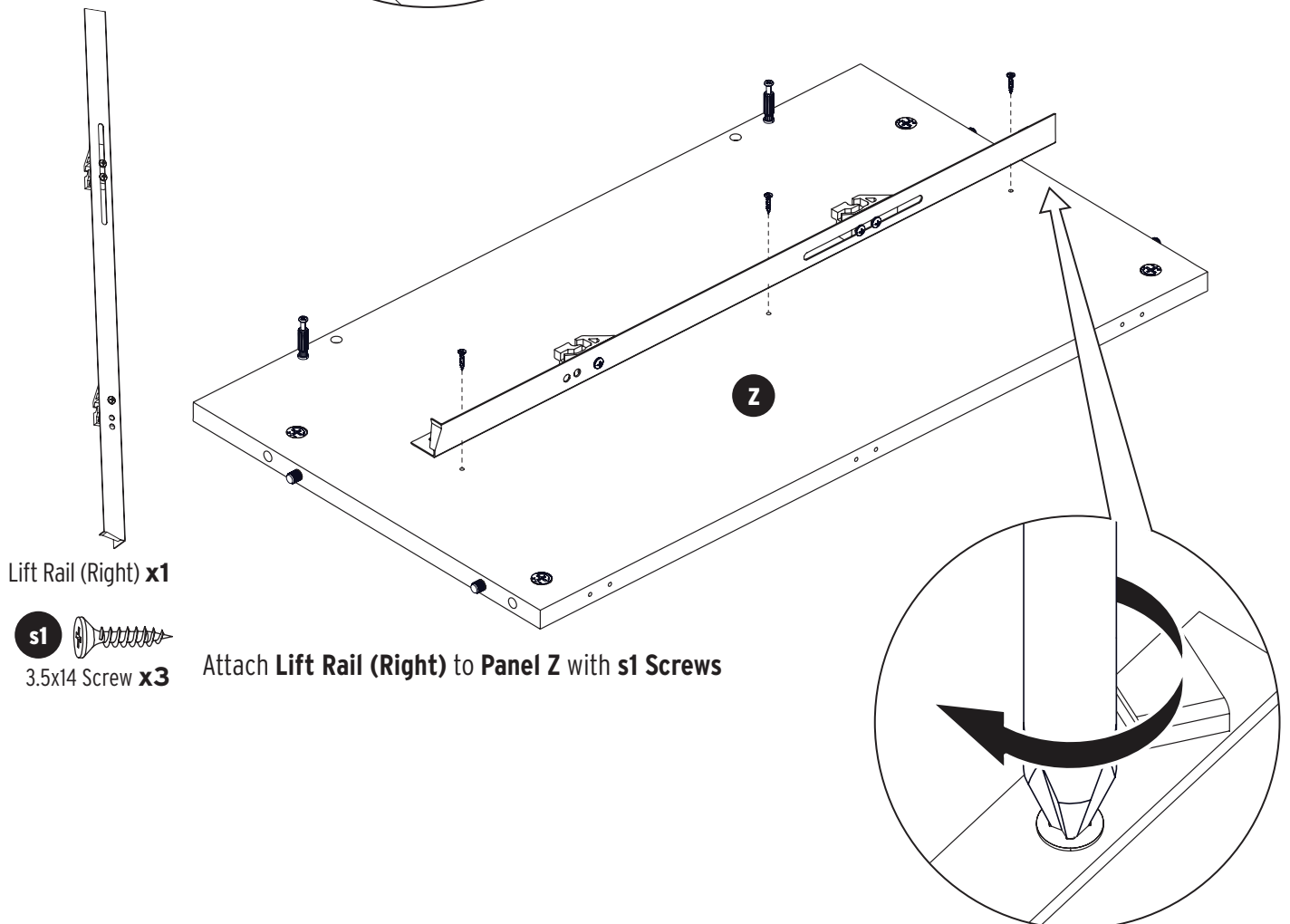
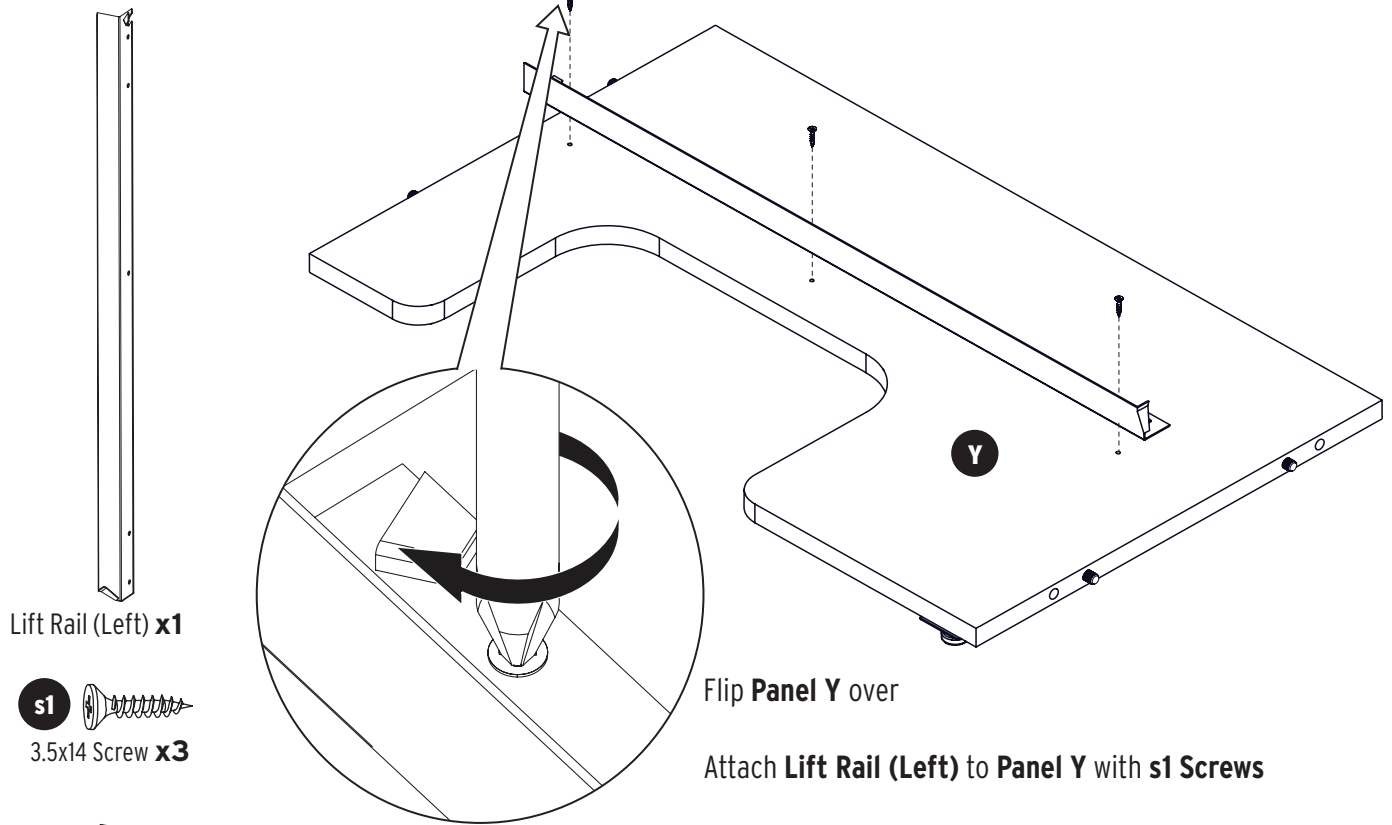


Insert 4 **d1 Dowel Pins** into the edges of **Panel Y**  
Install 2 **c1 Cam Bolts** into pre-installed Cam Anchors on **Panel Y**



Insert 4 **d1 Dowel Pins** into the edges of **Panel Z**  
Install 2 **c1 Cam Bolts** into pre-installed Cam Anchors on **Panel Z**

## Step 2: Cabinet Sides and Back



## Step 2: Cabinet Sides and Back

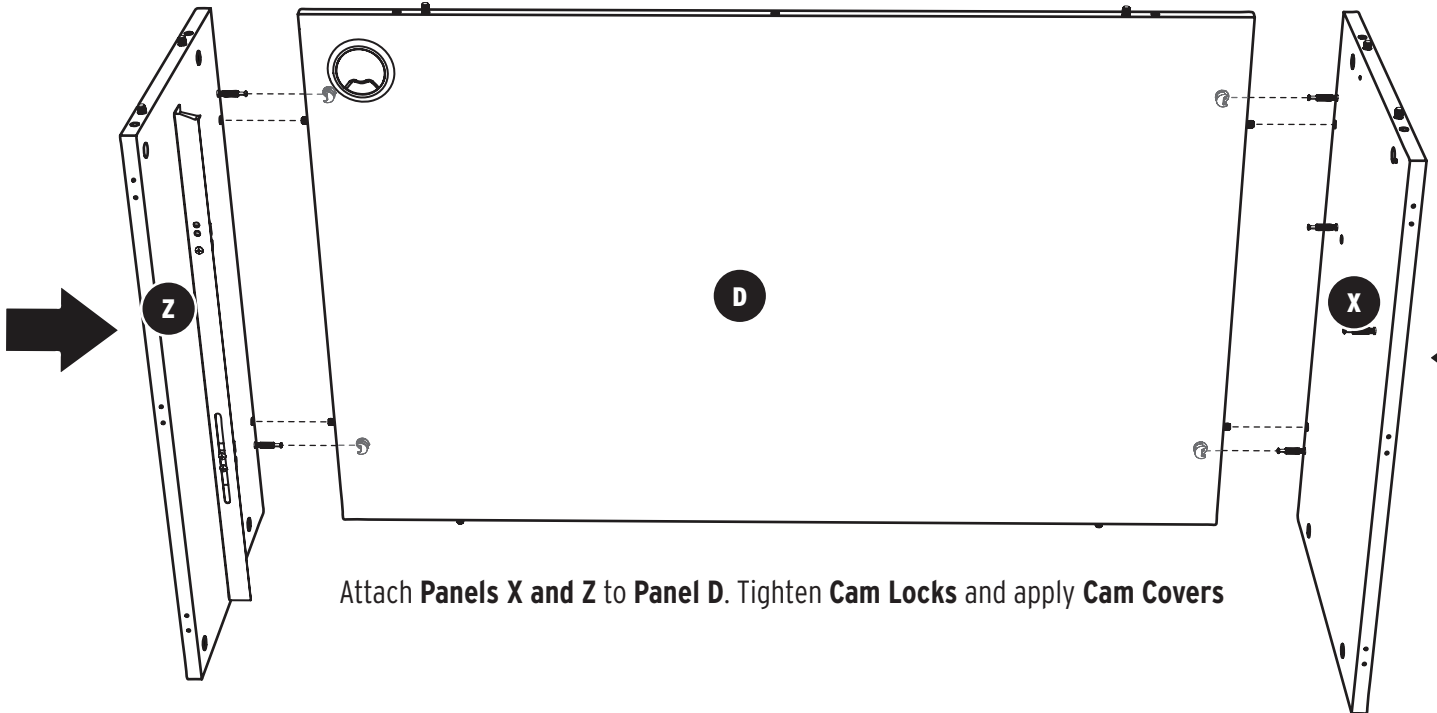
c2



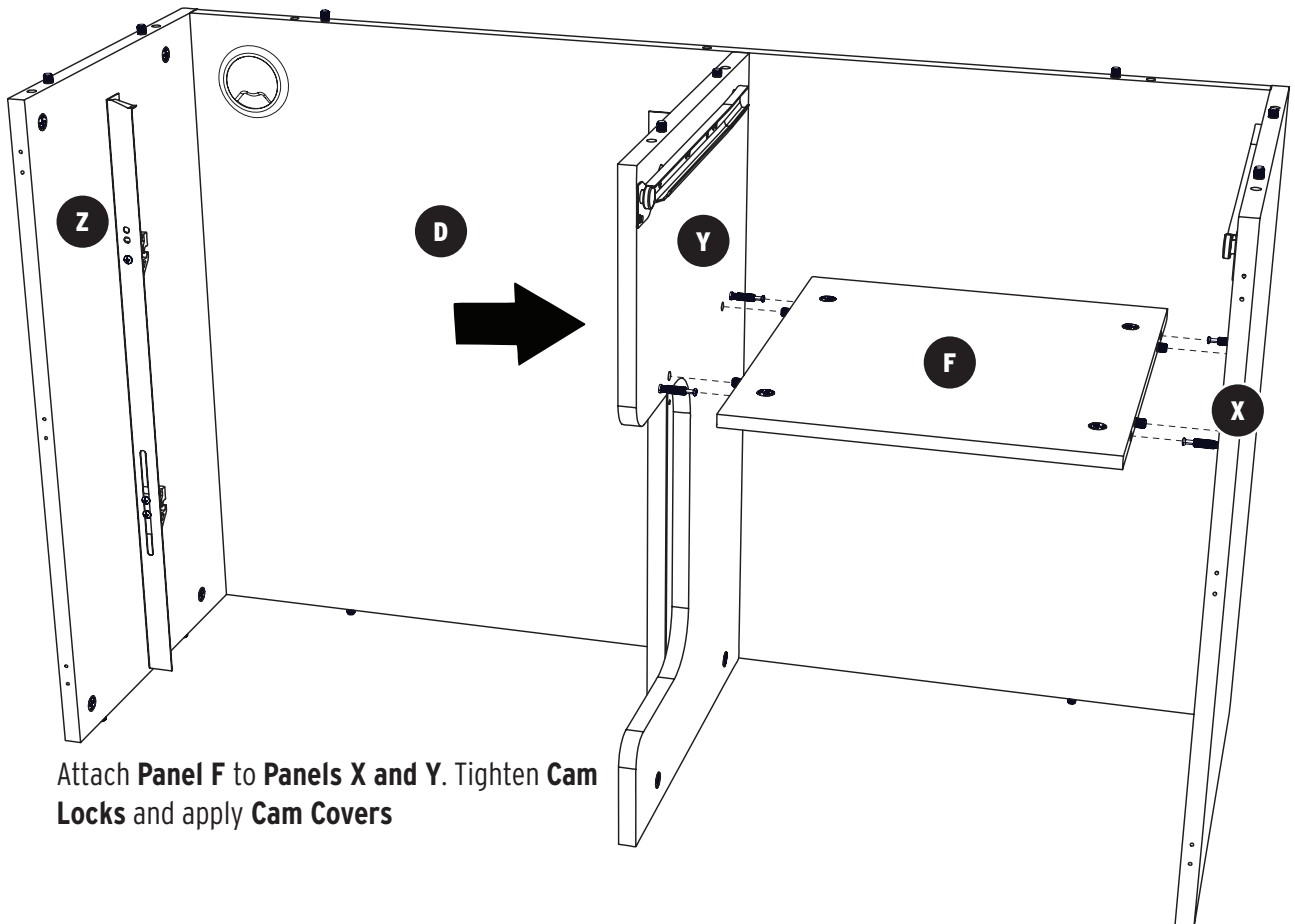
$\frac{5}{8}$ " Cam Cover x8

**Note:** We recommend doing this step with panels upside down as shown so panels are in correct position to attach Panel G.

**Note:** Cam Locks on Panel D will be facing the back of the cabinet.



Attach **Panels X and Z** to **Panel D**. Tighten **Cam Locks** and apply **Cam Covers**



Attach **Panel F** to **Panels X and Y**. Tighten **Cam Locks** and apply **Cam Covers**

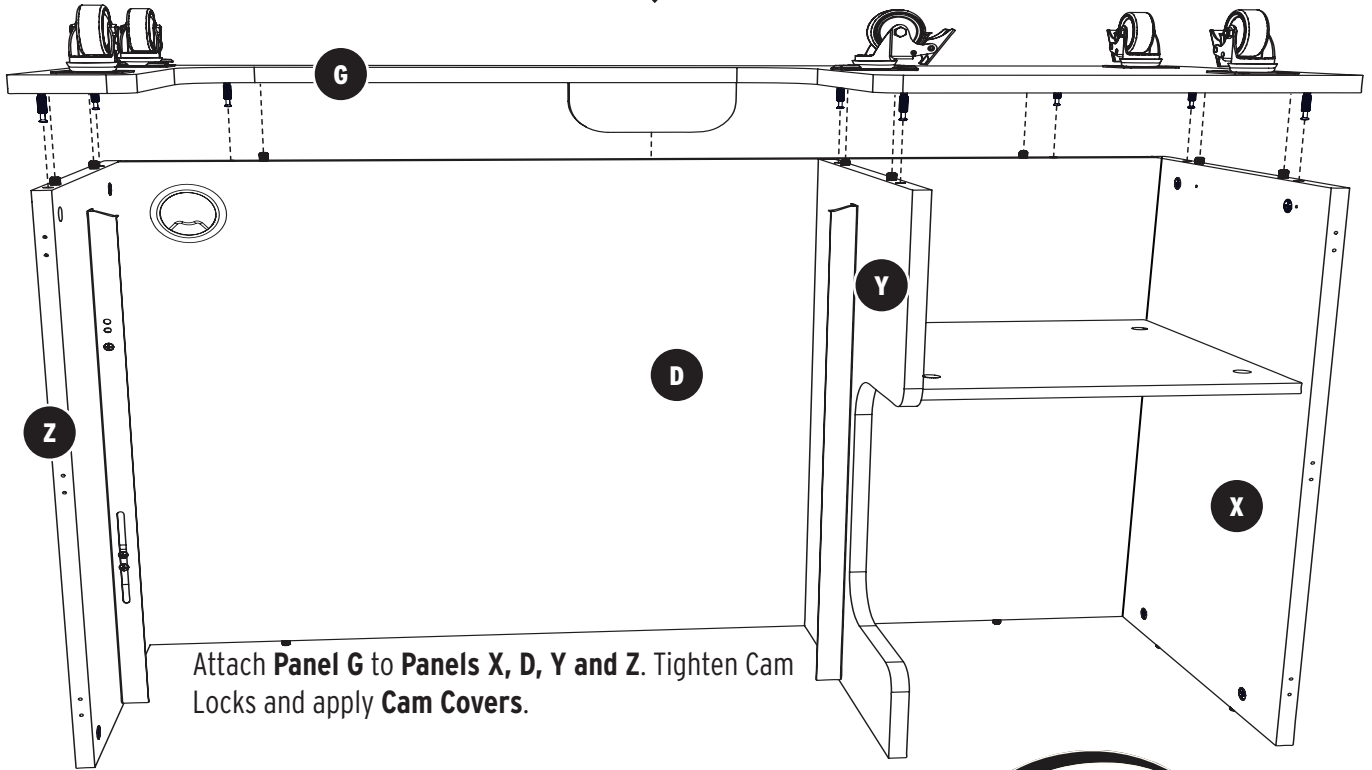


# Step 3: Attaching the Base

c2

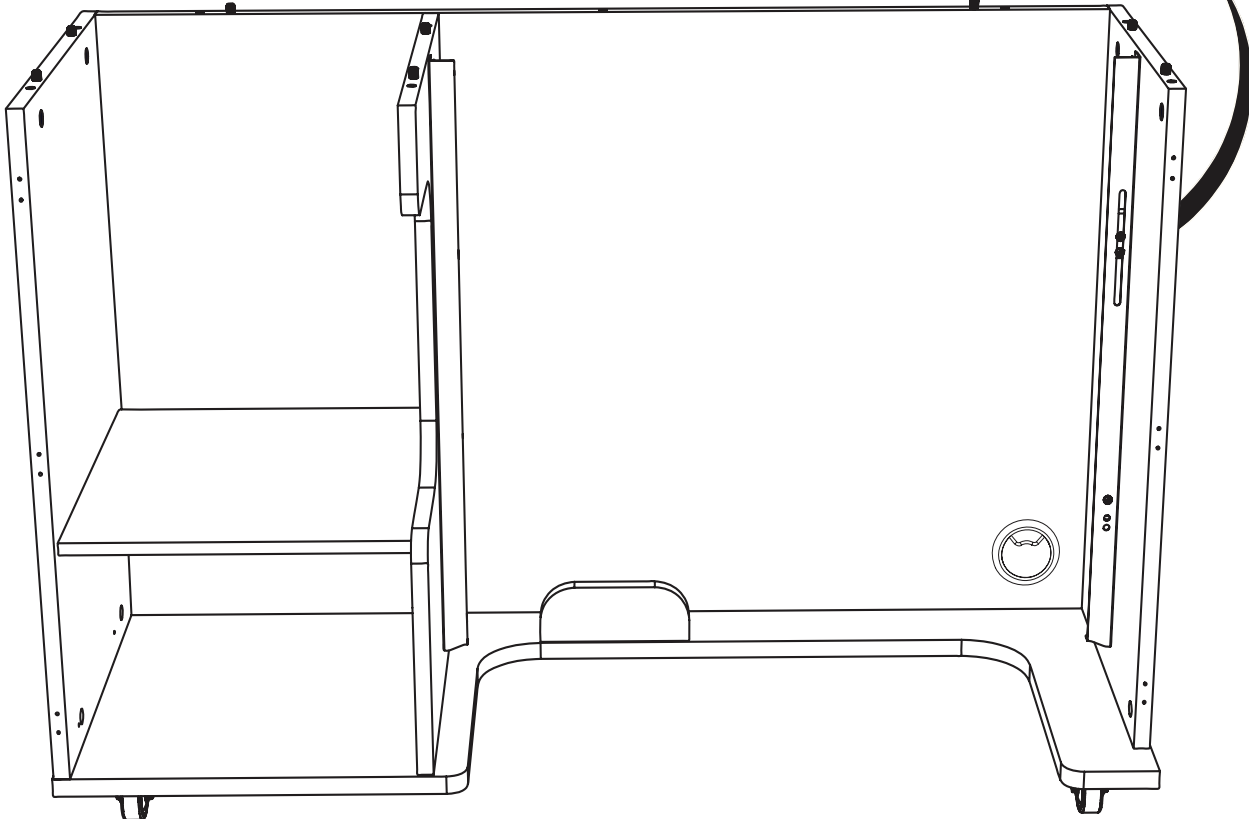


5/8" Cam Cover x9



Attach **Panel G** to **Panels X, D, Y and Z**. Tighten Cam Locks and apply **Cam Covers**.

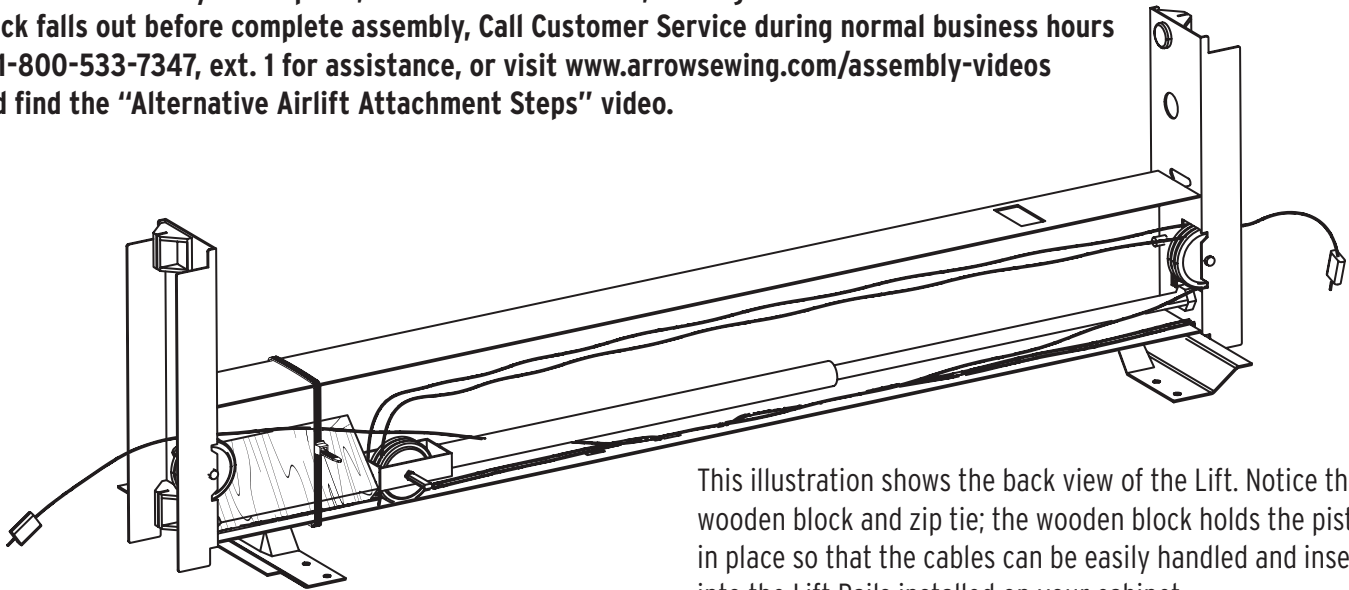
Flip the cabinet over onto its casters.



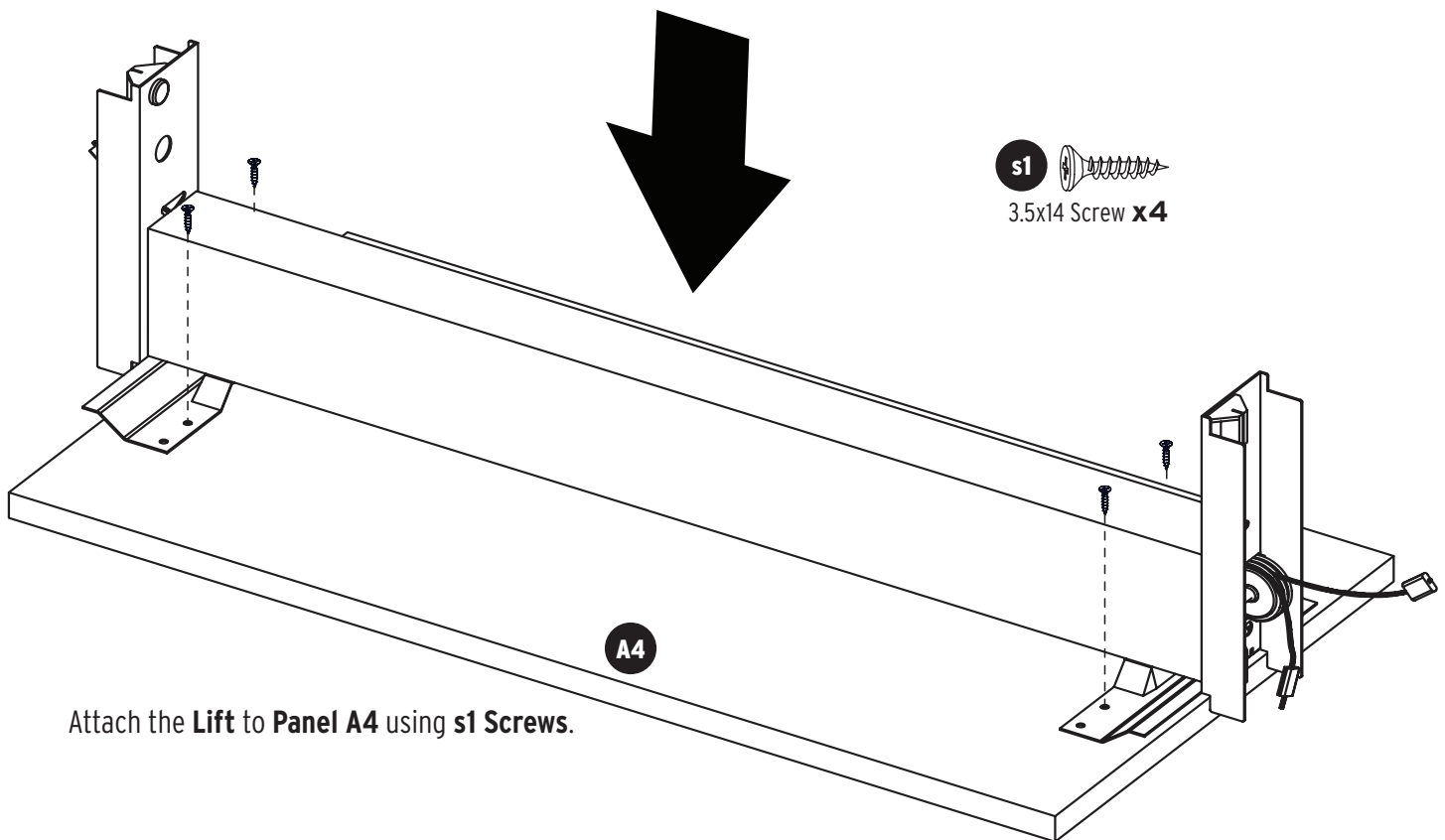
# Step 4: Lift Panel

## LIFT INSTALLATION WARNING:

**DO NOT** remove the small wooden block from the Lift until assembly is complete. If the block is removed or falls out before lift assembly is complete, the cables will retract, making installation difficult. If the block falls out before complete assembly, Call Customer Service during normal business hours at 1-800-533-7347, ext. 1 for assistance, or visit [www.arrowsewing.com/assembly-videos](http://www.arrowsewing.com/assembly-videos) and find the "Alternative Airlift Attachment Steps" video.

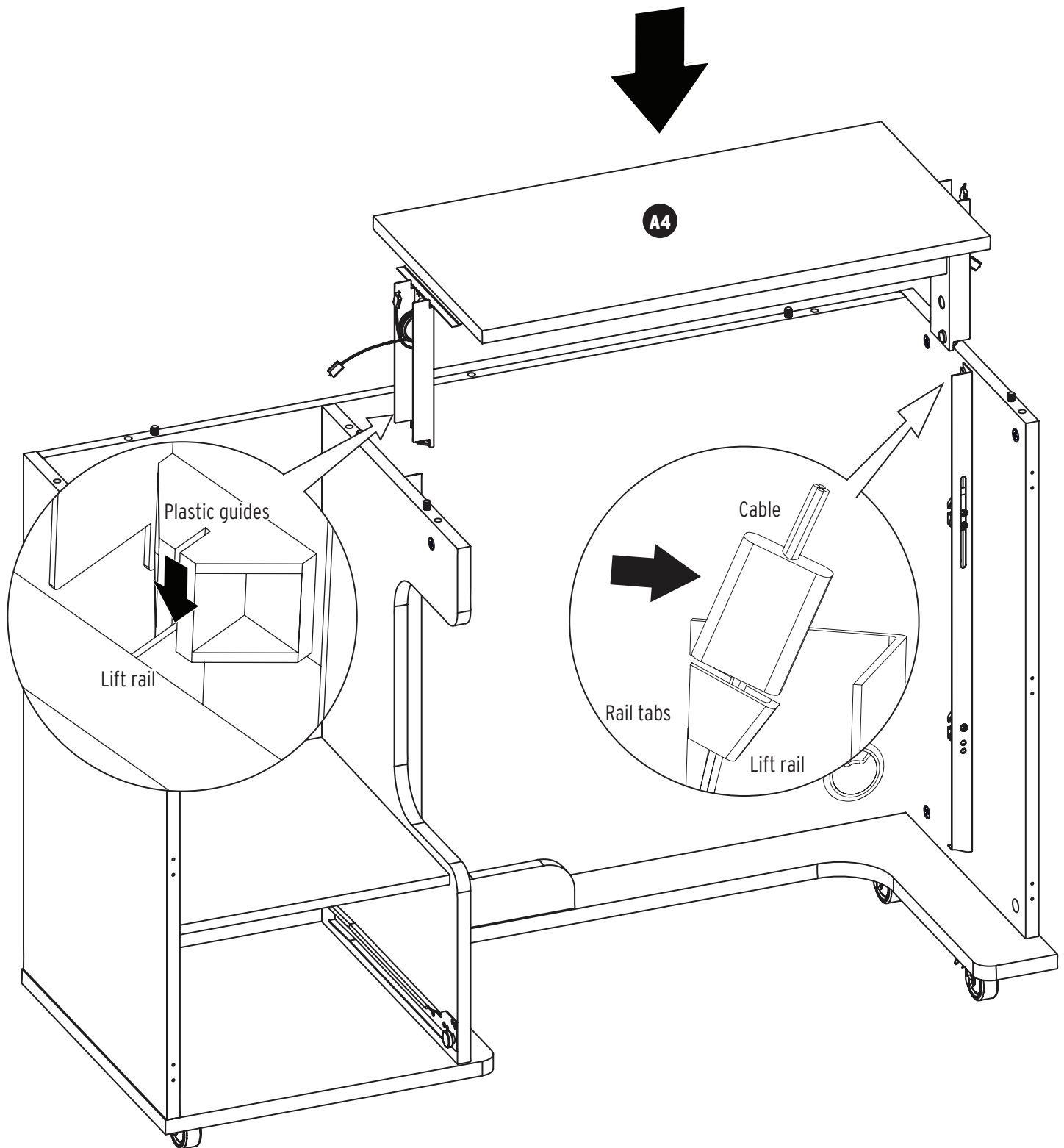


This illustration shows the back view of the Lift. Notice the wooden block and zip tie; the wooden block holds the piston in place so that the cables can be easily handled and inserted into the Lift Rails installed on your cabinet.



Attach the **Lift** to **Panel A4** using **s1** Screws.

## Step 4: Lift Panel

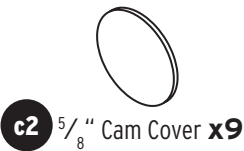
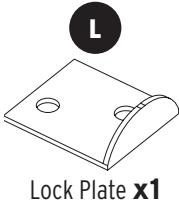
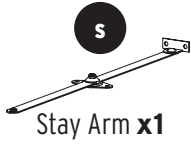
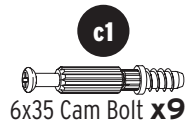


Guide **Lift** onto **Lift Rails** using plastic guides. Insert ends of cable into rail tabs; make sure the cable is hooked into the rail tabs on both sides.

Cut the zip tie on the wooden block, but DO NOT remove the block yet.

Push the **Lift** down to first lock position and remove the wooden block. **DO NOT ADJUST LIFT POSITION until the top is installed**, or you risk the Lift coming out and cables becoming disengaged.

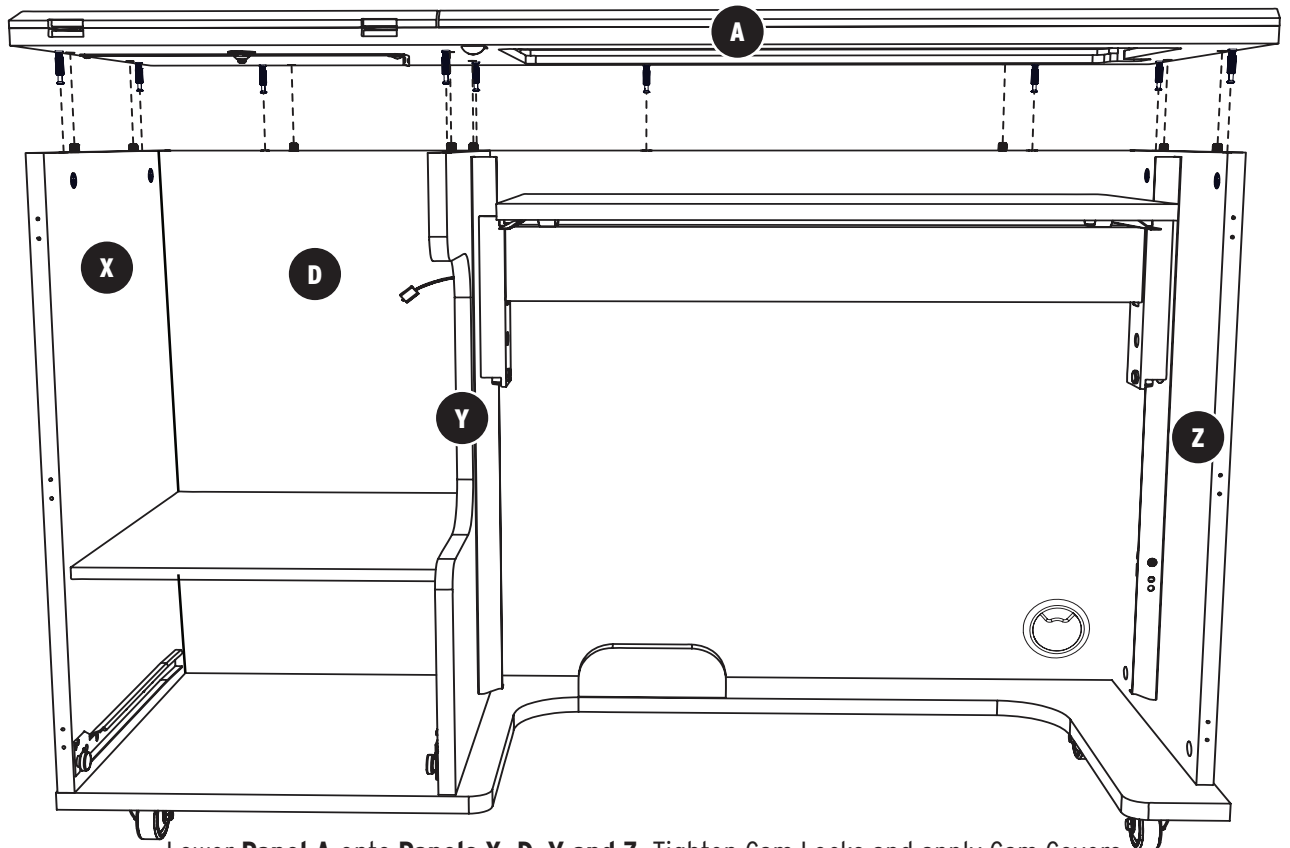
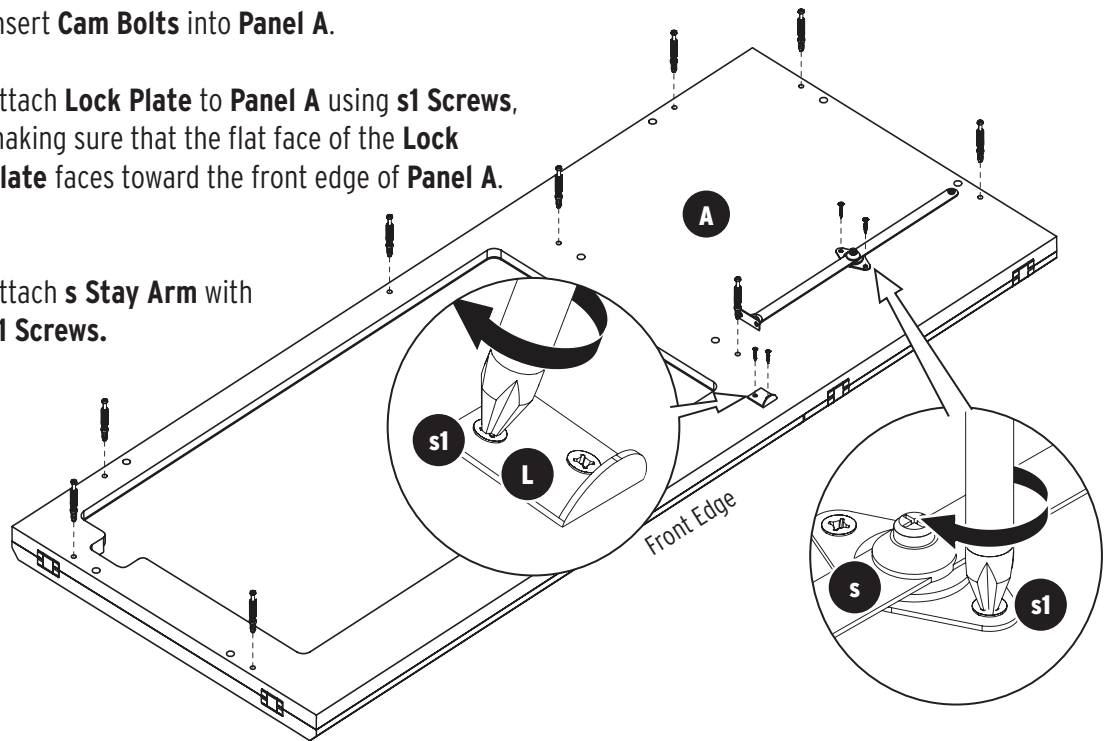
# Step 4: Attaching the Top



Insert **Cam Bolts** into **Panel A**.

Attach **Lock Plate** to **Panel A** using **s1 Screws**, making sure that the flat face of the **Lock Plate** faces toward the front edge of **Panel A**.

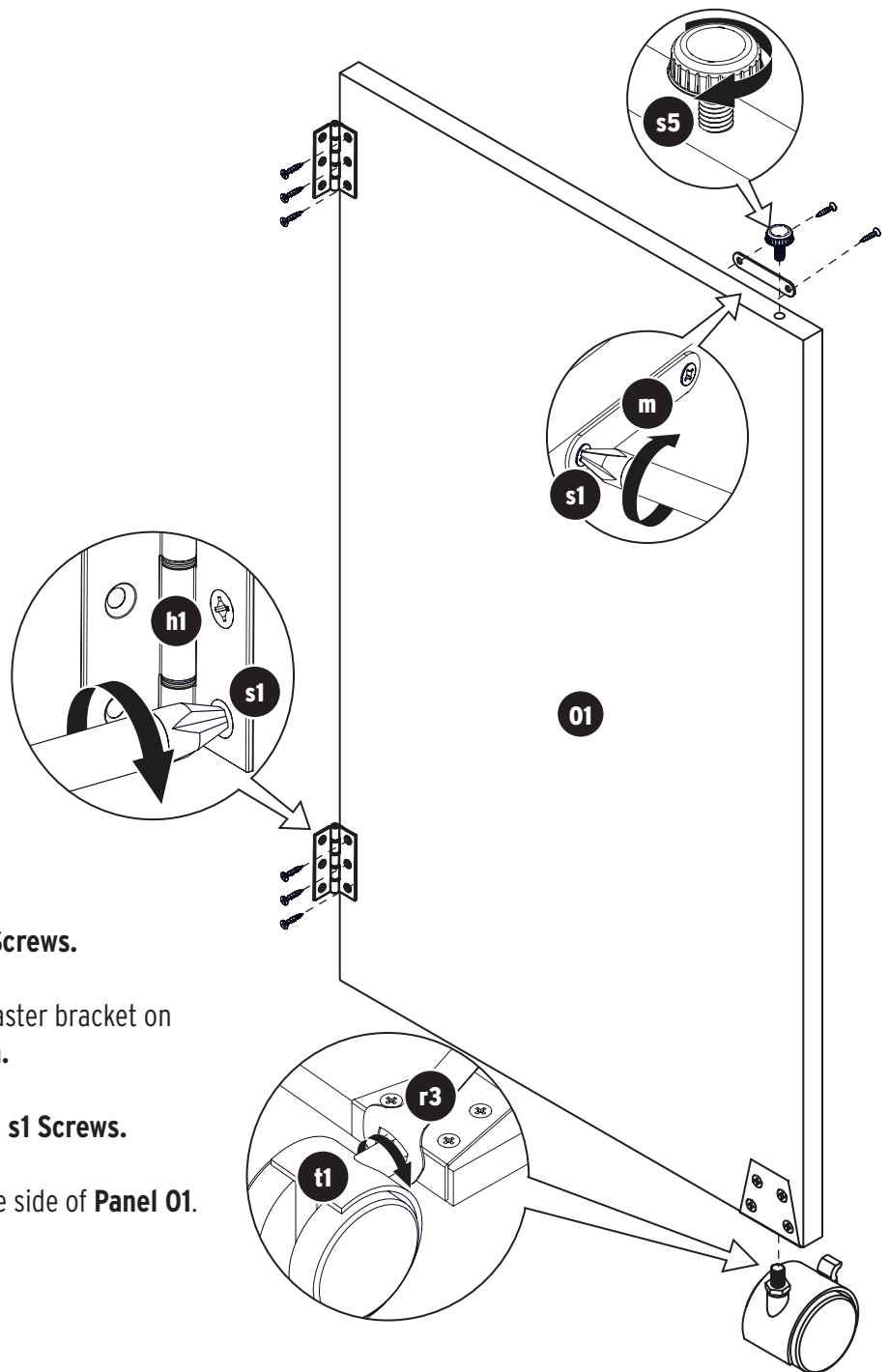
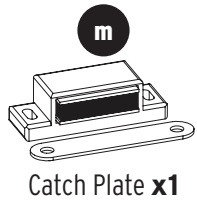
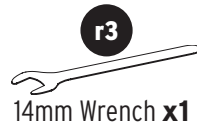
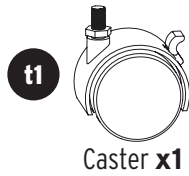
Attach **s Stay Arm** with **s1 Screws**.



Lower **Panel A** onto **Panels X, D, Y and Z**. Tighten Cam Locks and apply Cam Covers.

**A SPECIAL NOTE ABOUT USING TABLETOP LEAVES:** Do **NOT** extend the leaves until you have support panels in place. Doing so may damage the cabinet and void your warranty.

# Step 4: Gate Leg and Quilt Panel



Attach **h1** Butt Hinges to **Panel 01** with **s1** Screws.

Insert the **t1** Caster into the pre-installed caster bracket on **Panel 01** and tighten with **r3** 14mm Wrench.

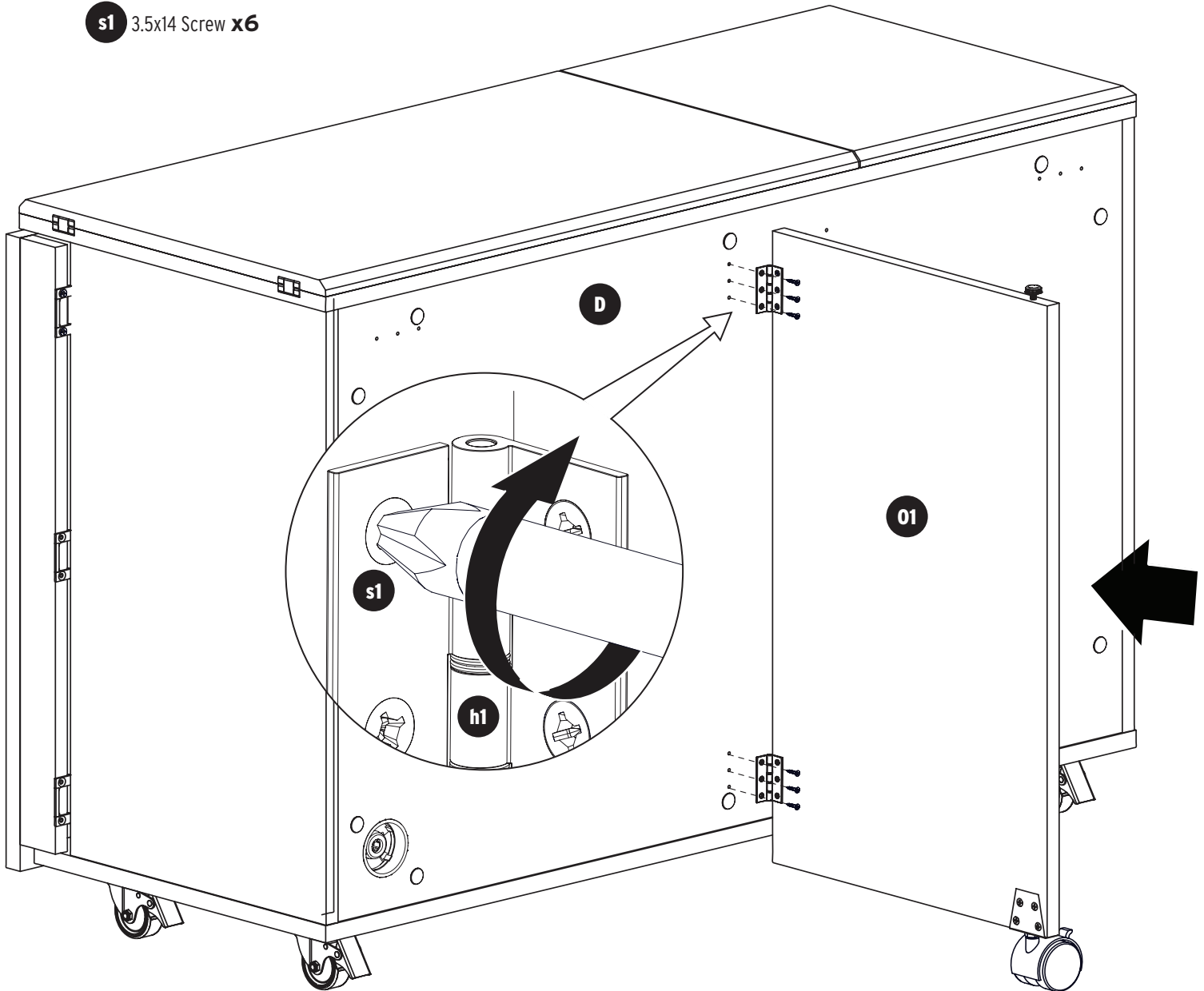
Attach the **m** Catch Plate to **Panel 01** using **s1** Screws.

**NOTE:** The **Catch Plate** goes on the opposite side of **Panel 01**.

# Step 4: Gate Leg and Quilt Panel



**s1** 3.5x14 Screw **x6**

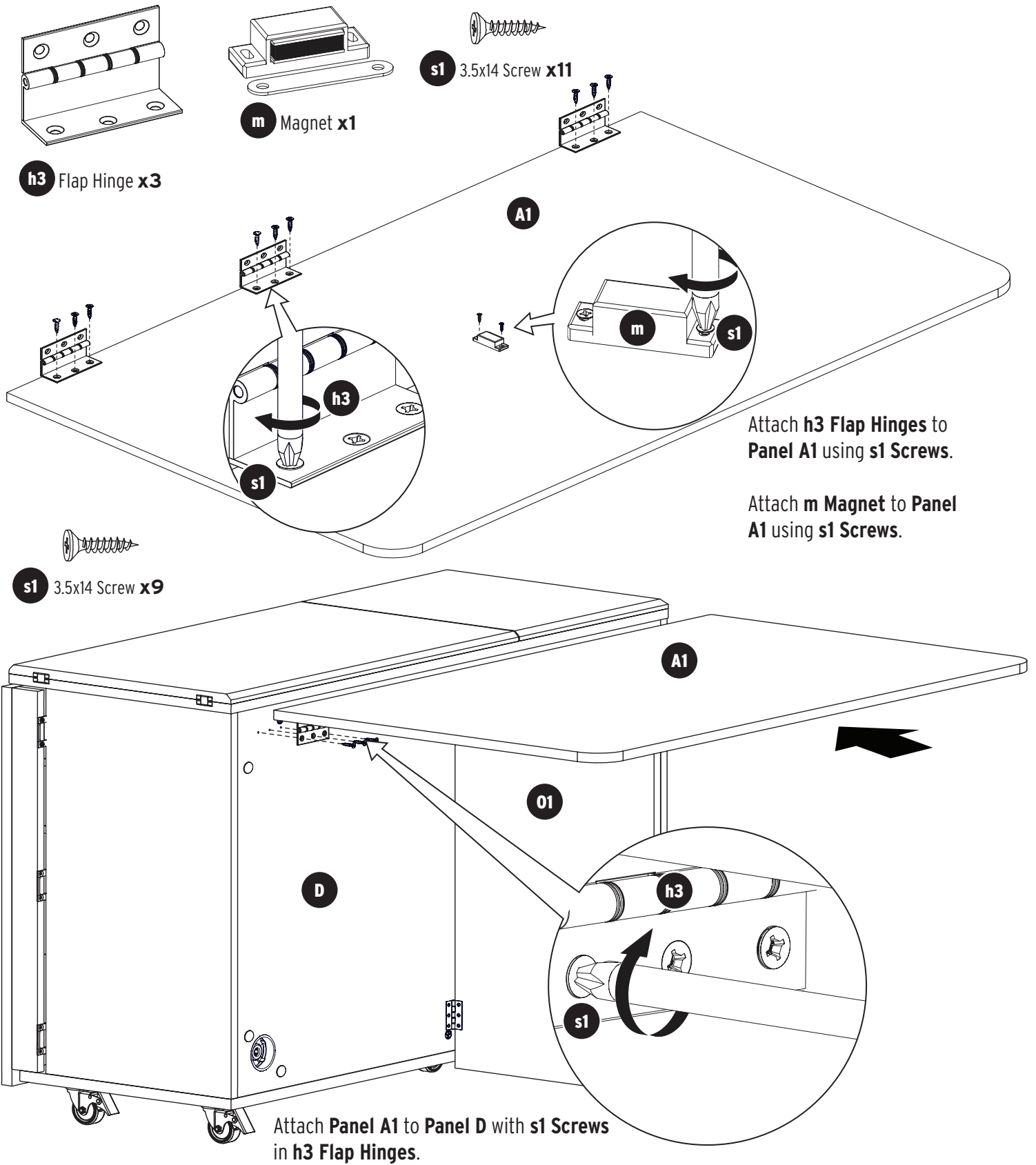


Attach **Panel 01** to **Panel D** using **S1 Screws**.

You may need a friend to help you hold **Panel 01** steady as you attach it, but it is not required.

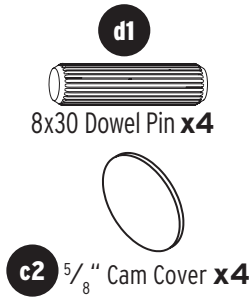
**A SPECIAL NOTE ABOUT USING TABLETOP LEAVES:** Do **NOT** extend the leaves until you have support panels in place. Doing so may damage the cabinet and void your warranty.

# Step 4: Gate Leg and Quilt Panel

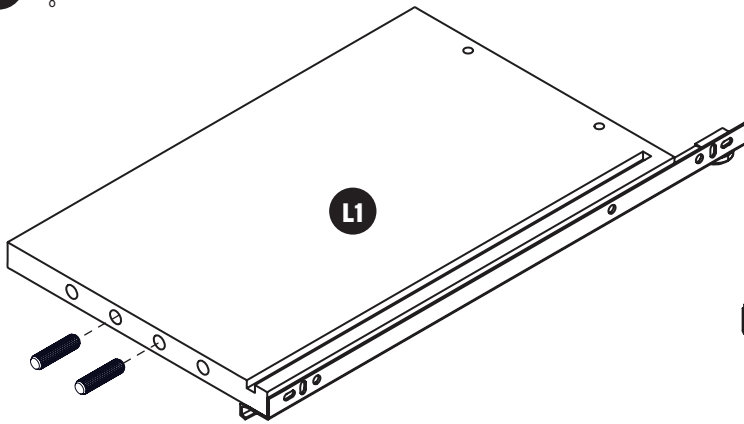
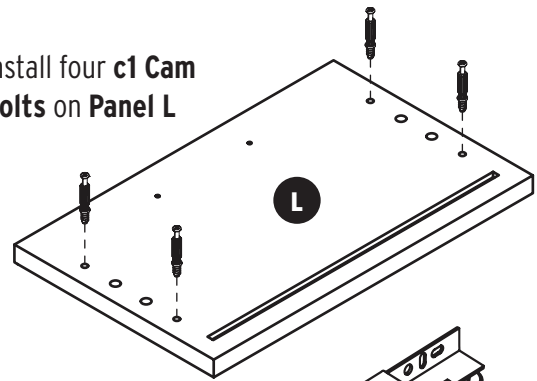


**A SPECIAL NOTE ABOUT USING TABLETOP LEAVES:** Do **NOT** extend the leaves until you have support panels in place. Doing so may damage the cabinet and void your warranty.

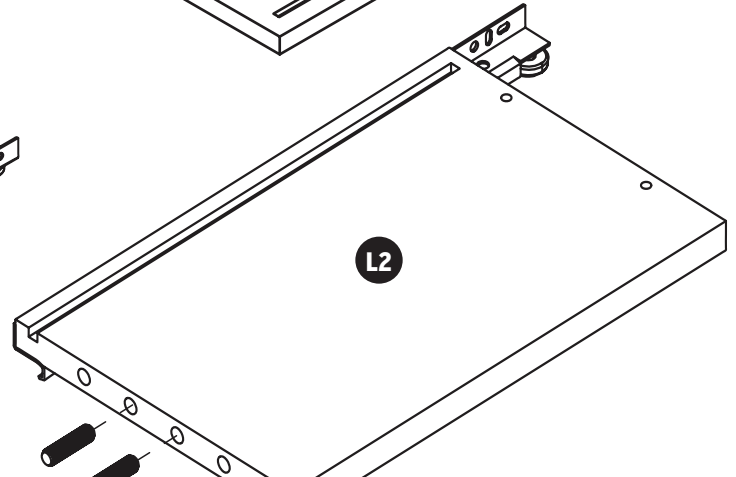
# Step 5: Drawer



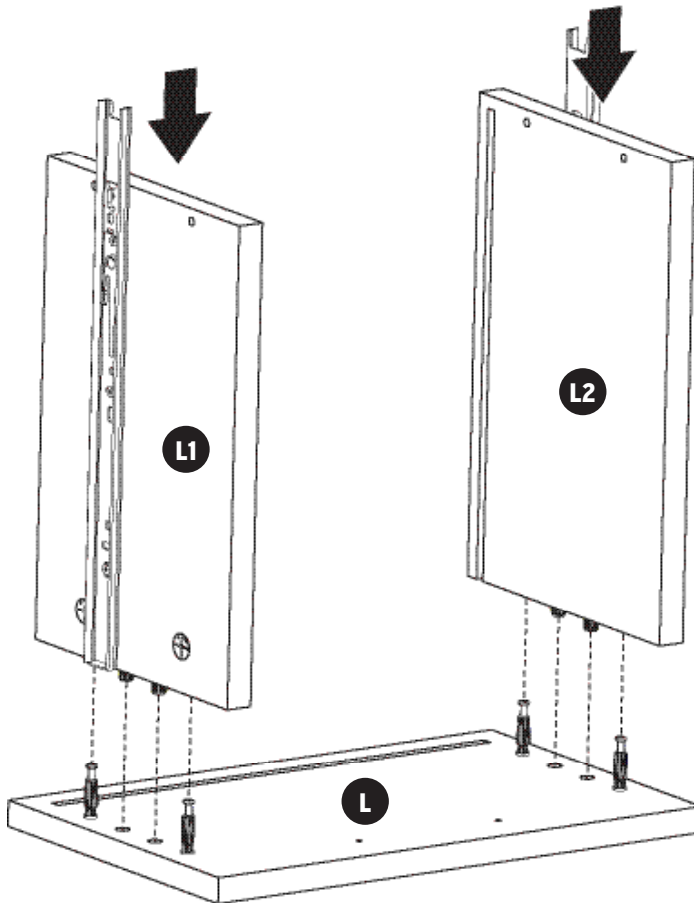
Install four **c1** Cam Bolts on **Panel L**



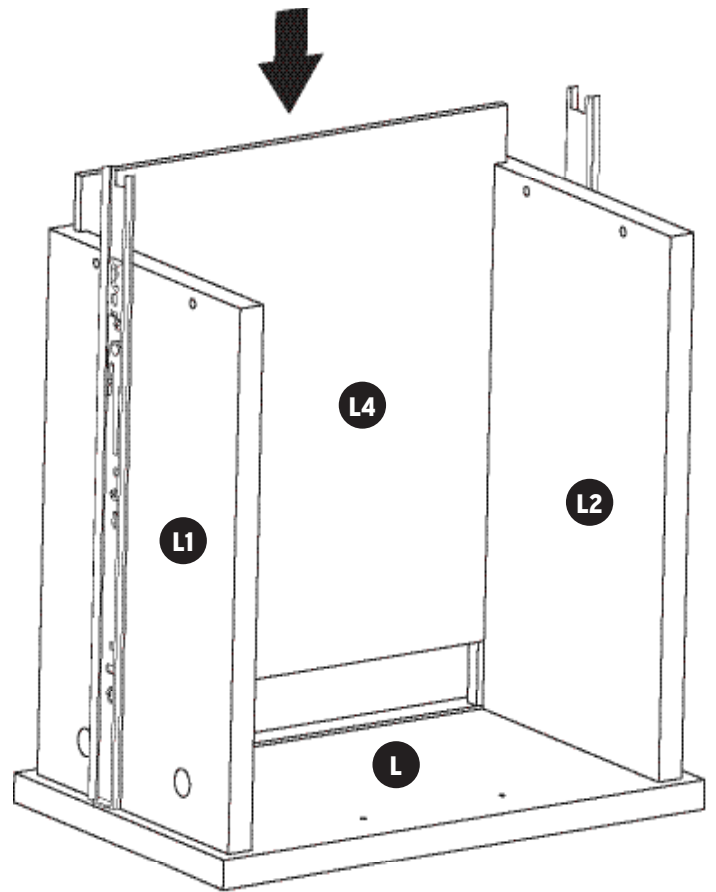
Insert two **d1** Dowel Pins into the edge of **Panel L1**



Insert two **d1** Dowel Pins into the edge of **Panel L2**



Attach drawer front **Panel L** to side **Panels L1** and **L2** as shown above. Tighten cams and apply covers.



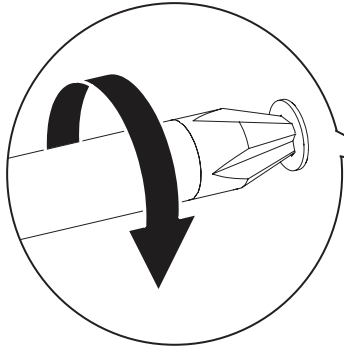
Slide drawer bottom **Panel L4** into the grooves on **Panels L, L1** and **L2**.



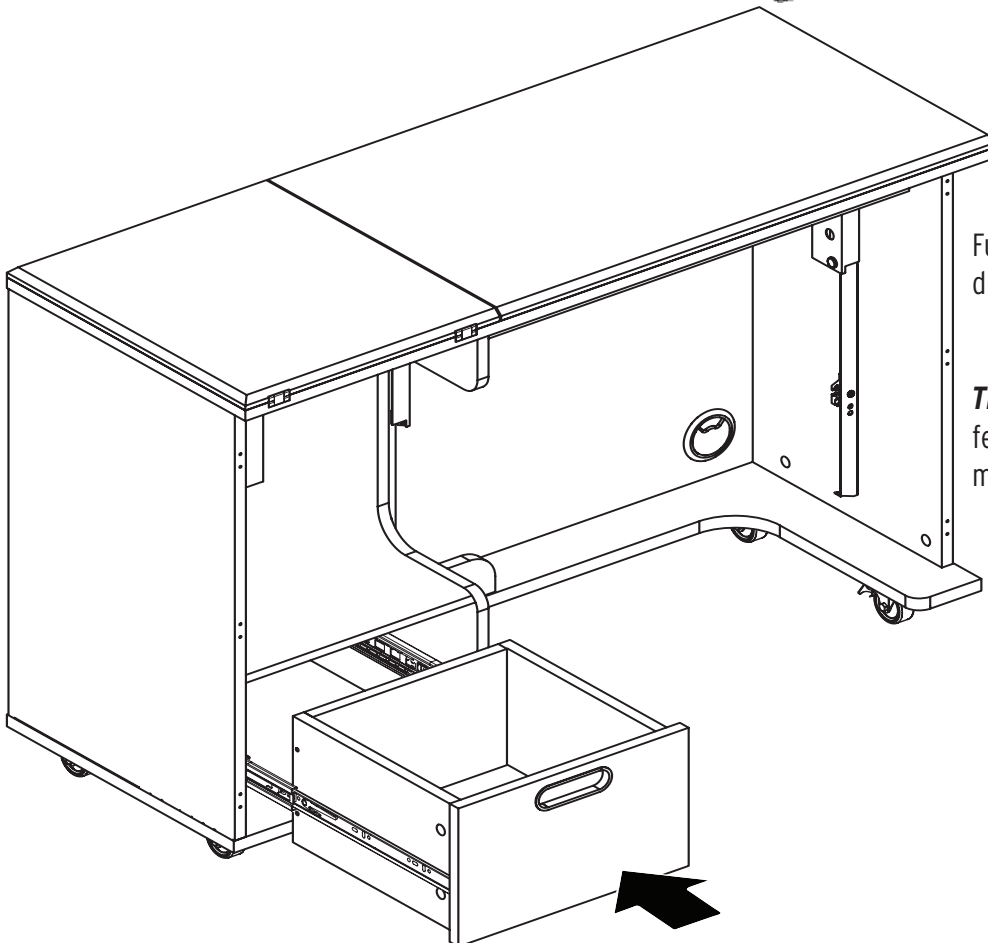
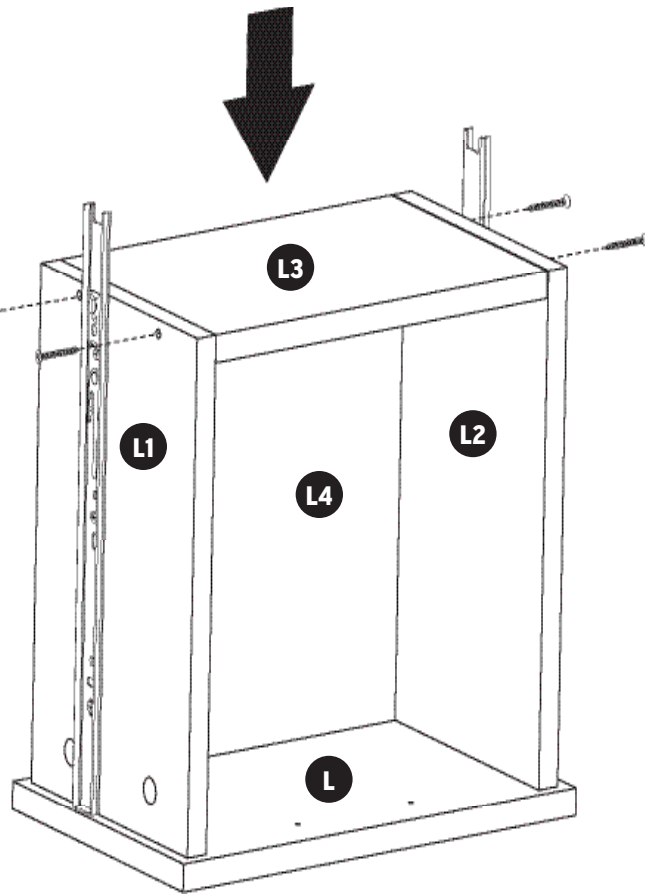
# Step 5: Drawer



**s3** 3.5x35 Screw **x4**



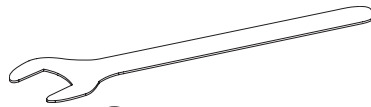
Attach back **Panel L3** to side **Panels L1 and L2** using **s3 Screws** as shown here.



Fully extend the cabinet drawer rails, align drawer rails, and slide drawer into cabinet.

**TIP:** Gently open and close the drawers a few times to engage the Soft Close mechanism.

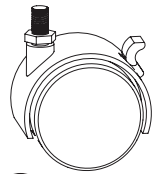
# Step 6: Doors



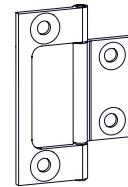
**r3** 14mm Wrench **x1**



**h** Handle **x1**



**t1** Caster **x1**



**h2** Flush Hinge **x3**



**d3** Door Plate **x2**



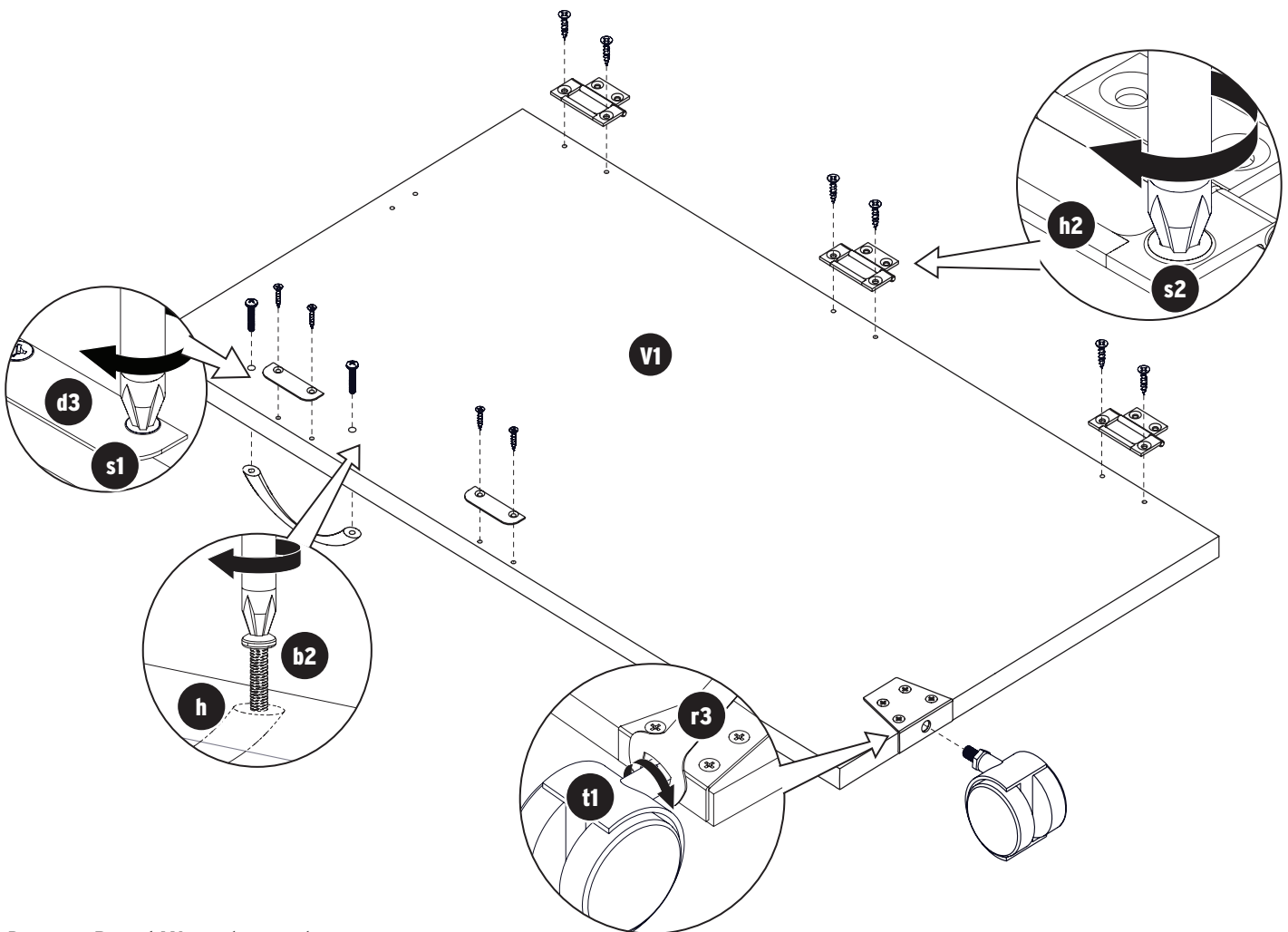
**s2** 3x14 Screw **x6**



**b2** 4x20 Fix Bolt **x2**



**s1** 3.5x14 Screw **x4**



Prepare **Panel V1** as shown above.

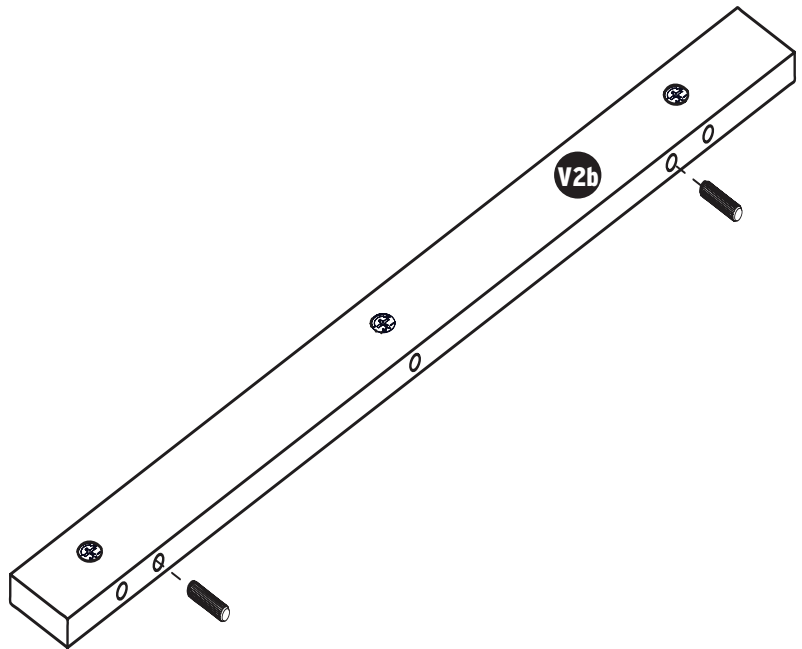
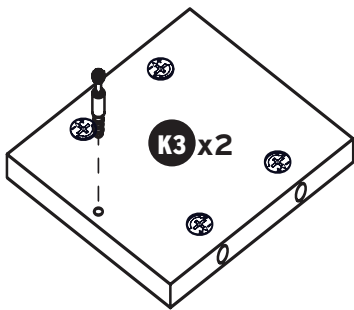
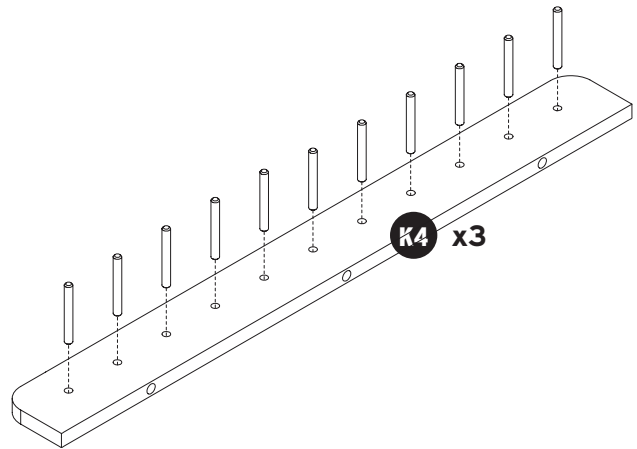
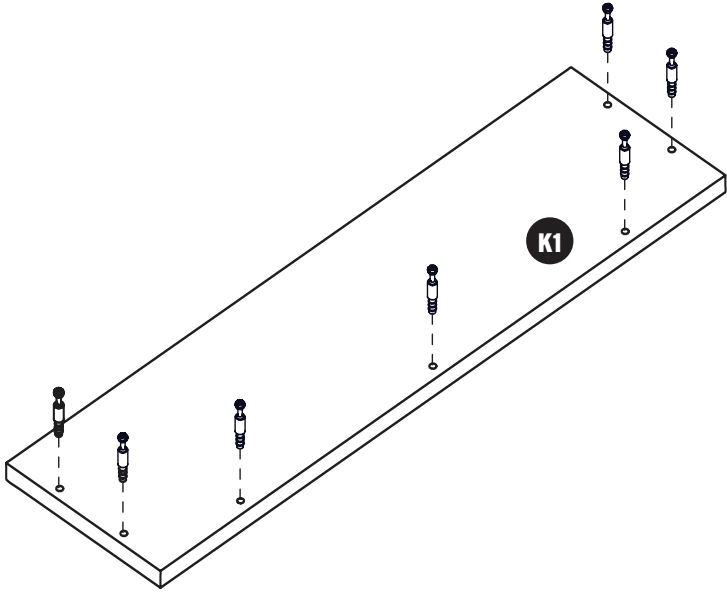
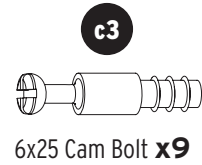
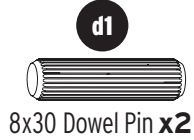
Attach 3 **h2 Flush Hinges** with **s2 Screws**.

Attach 2 **d3 Door Plates** with **s1 Screws**. **NOTE:** The rounded edge of **d3 Door Plates** will overhang the edge of the panel.

Insert **t1 Caster** into pre-installed caster bracket and tighten with **r3 14mm Wrench**.

Attach **h Handle** using **b2 Fix Bolts**.

# Step 6: Doors



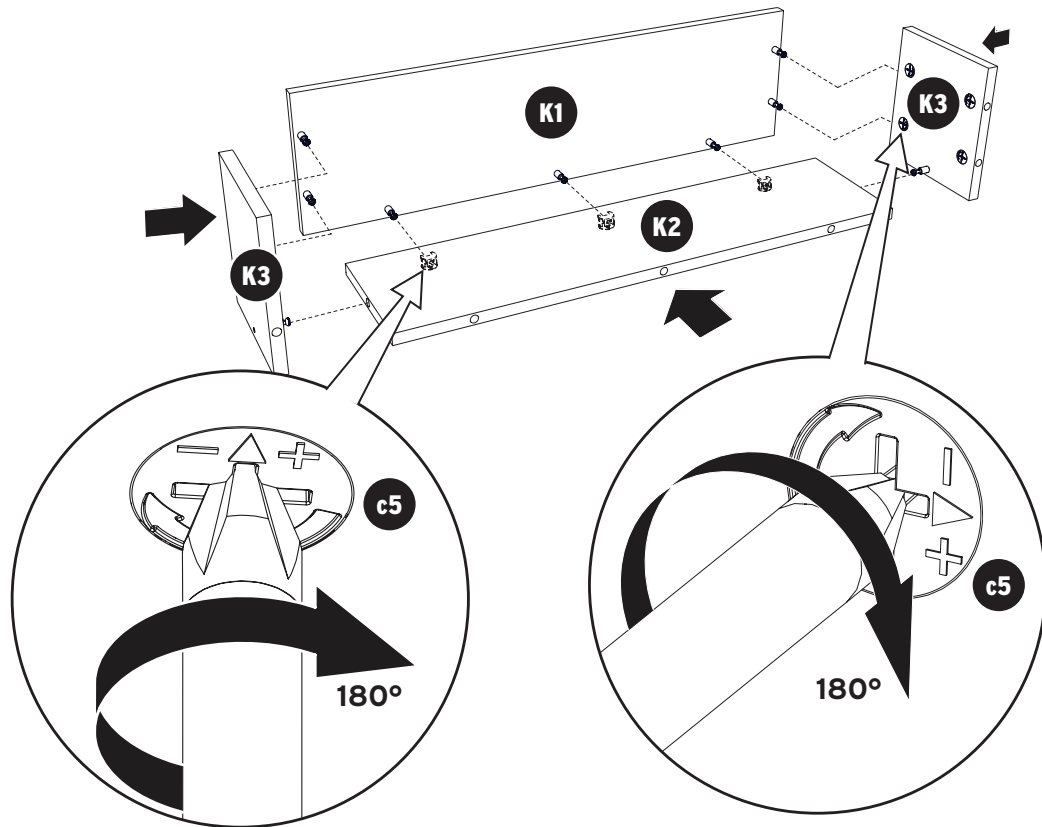
Prepare **Panels K1, K3, K4 and V2b** as shown above.

- Insert 11 **d2 Dowel Pins** into **Panel K4**. Repeat x3
- Insert 7 **c3 Cam Bolts** into **Panel K1**
- Insert 1 **c3 Cam Bolt** into **Panel K3** Repeat x2
- Insert 2 **d1 Dowel Pins** into the edge of **Panel V2b**

## NOTE:

**c3 Cam Bolts** are somewhat smaller than the **c1 Cam Bolts** used thus far. While **c1 Cam Bolts** will screw into pre-installed metal cam anchors, **c3 Cam Bolts** screw directly into the Panel.

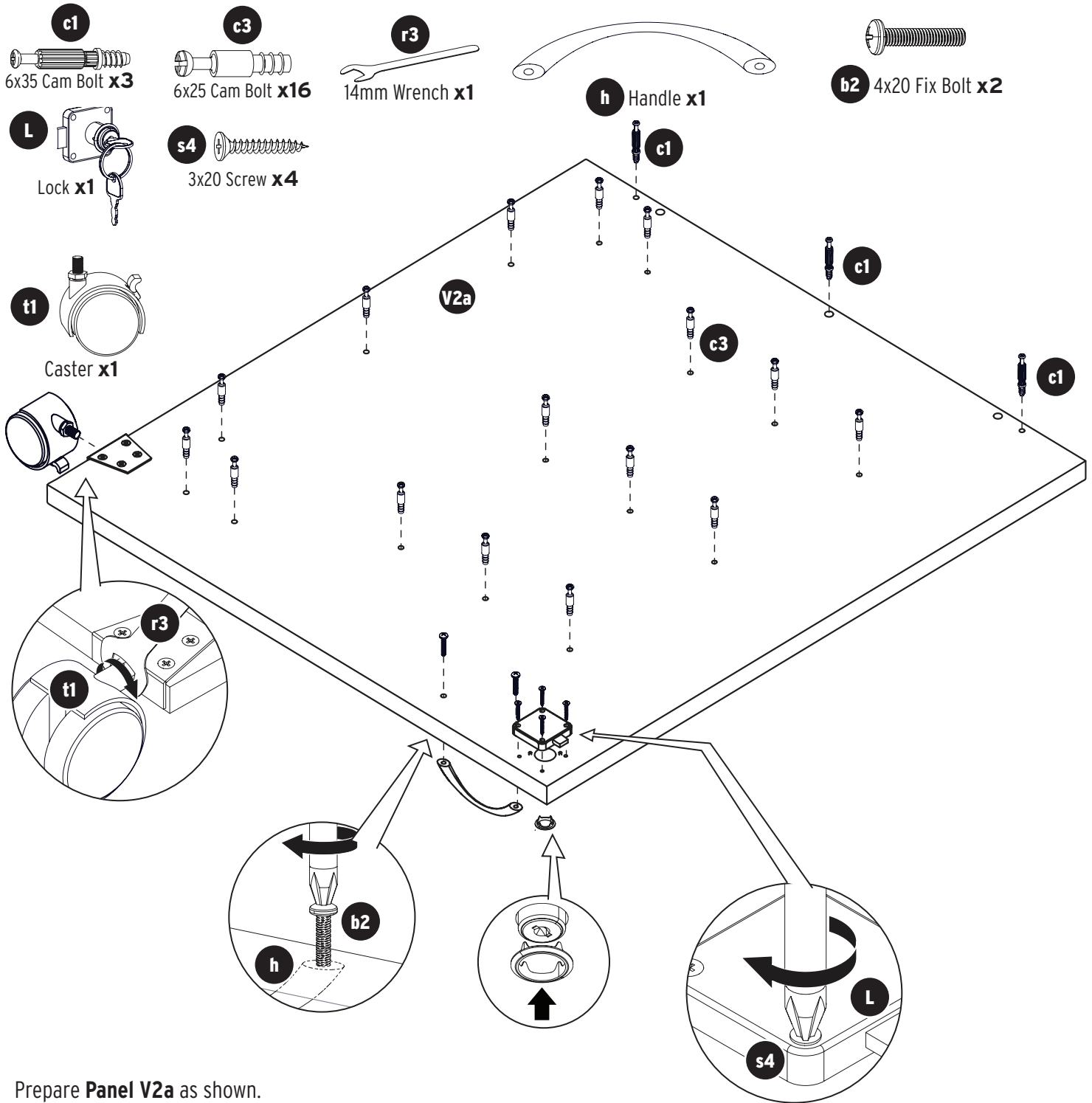
## Step 6: Doors



Insert cam bolts on **K3 Panels** (sides) into cams in **Panel K2** (bottom) and tighten cams. Apply **c2 Cam Covers**.

Insert cam bolts on **Panel K1** (front) into cams in **Panel K2** (bottom) and **K3 Panels** (sides). Tighten cams and apply **C2 Cam Covers**.

# Step 6: Doors



Prepare **Panel V2a** as shown.

Install **c1 Cam Bolts** and **c3 Cam Bolts**

Install **Caster**, using **r3 14mm Wrench** to tighten

Install **h Handle**, using **b2 Fix Bolts**

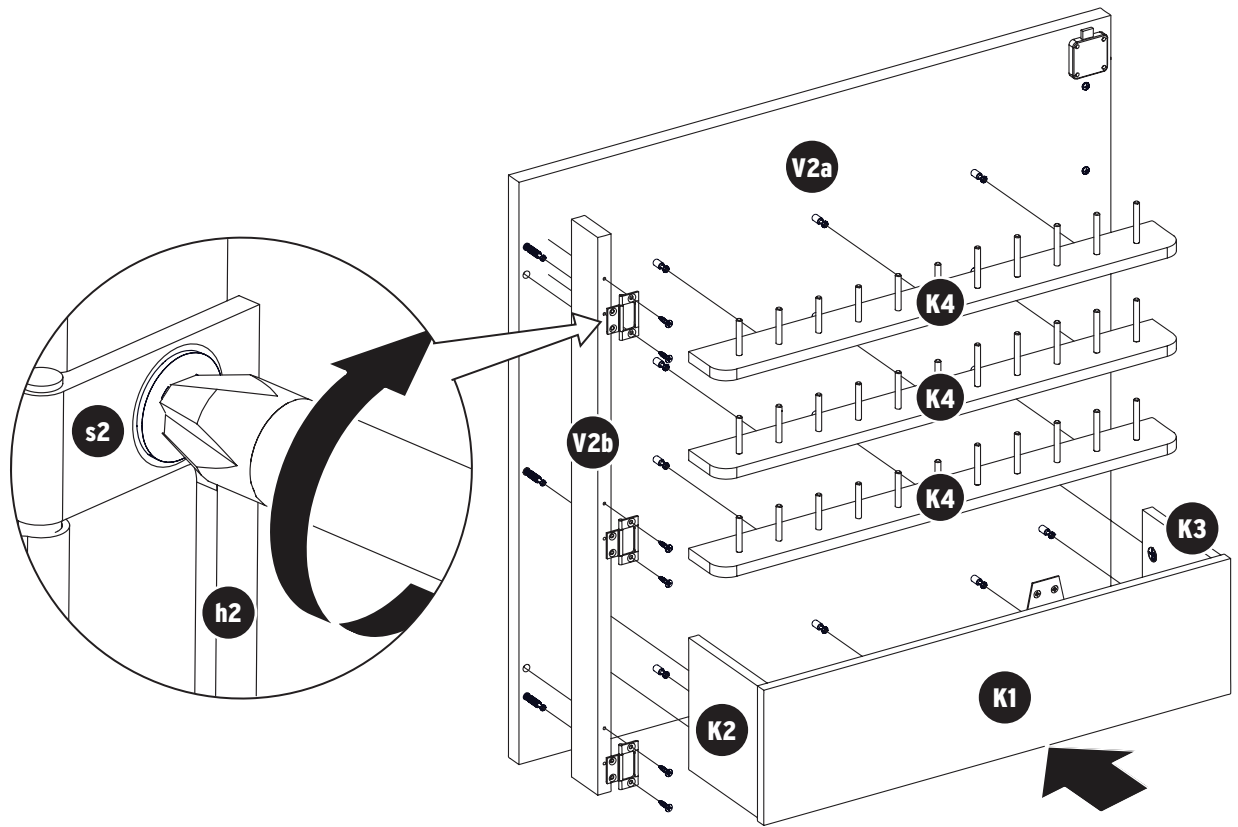
Install **L Lock**, using **s4 Screws**, and **Lock Ring**, pressing firmly to attach

## NOTE:

**c3 Cam Bolts** are somewhat smaller than the **c1 Cam Bolts**. While **c1 Cam Bolts** will screw into pre-installed metal cam anchors, **c3 Cam Bolts** screw directly into the Panel.

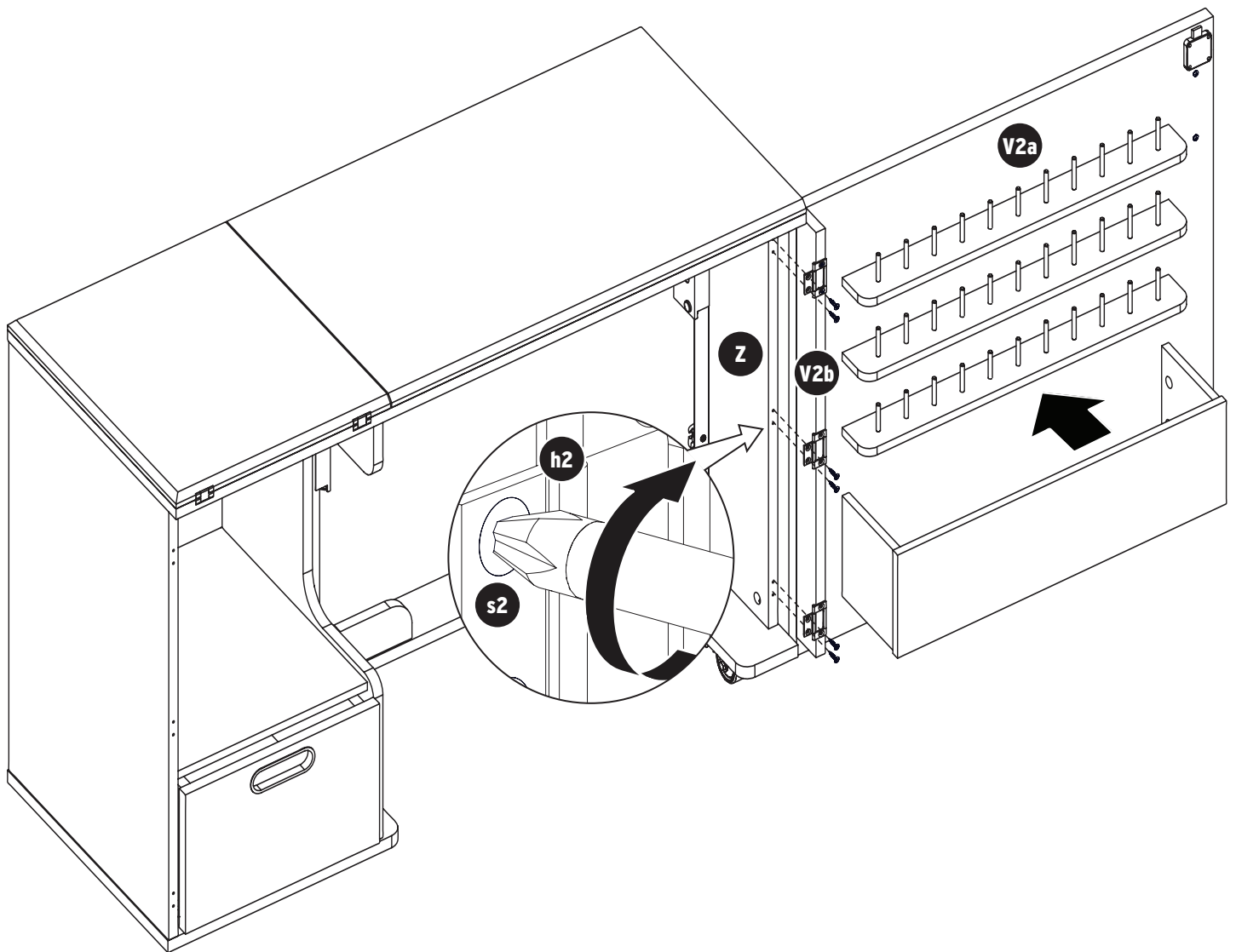
# Step 6: Doors

- h2**  Flush Hinge **x3**
- s2**  3x14 Screw **x6**
- c2**   $\frac{5}{8}$ " Cam Cover **x11**



Insert **c1 Cam Bolts** on **Panel V2a** into cams on **Panel V2b**. Tighten and apply **Cam Covers**  
Insert **c3 Cam Bolts** on **Panel V2a** into cams on **Panels K1 and K4**. Tighten and apply **Cam Covers**  
Attach **h2 Flush Hinges** to **Panel V2b** with **s2 Screws** as illustrated above

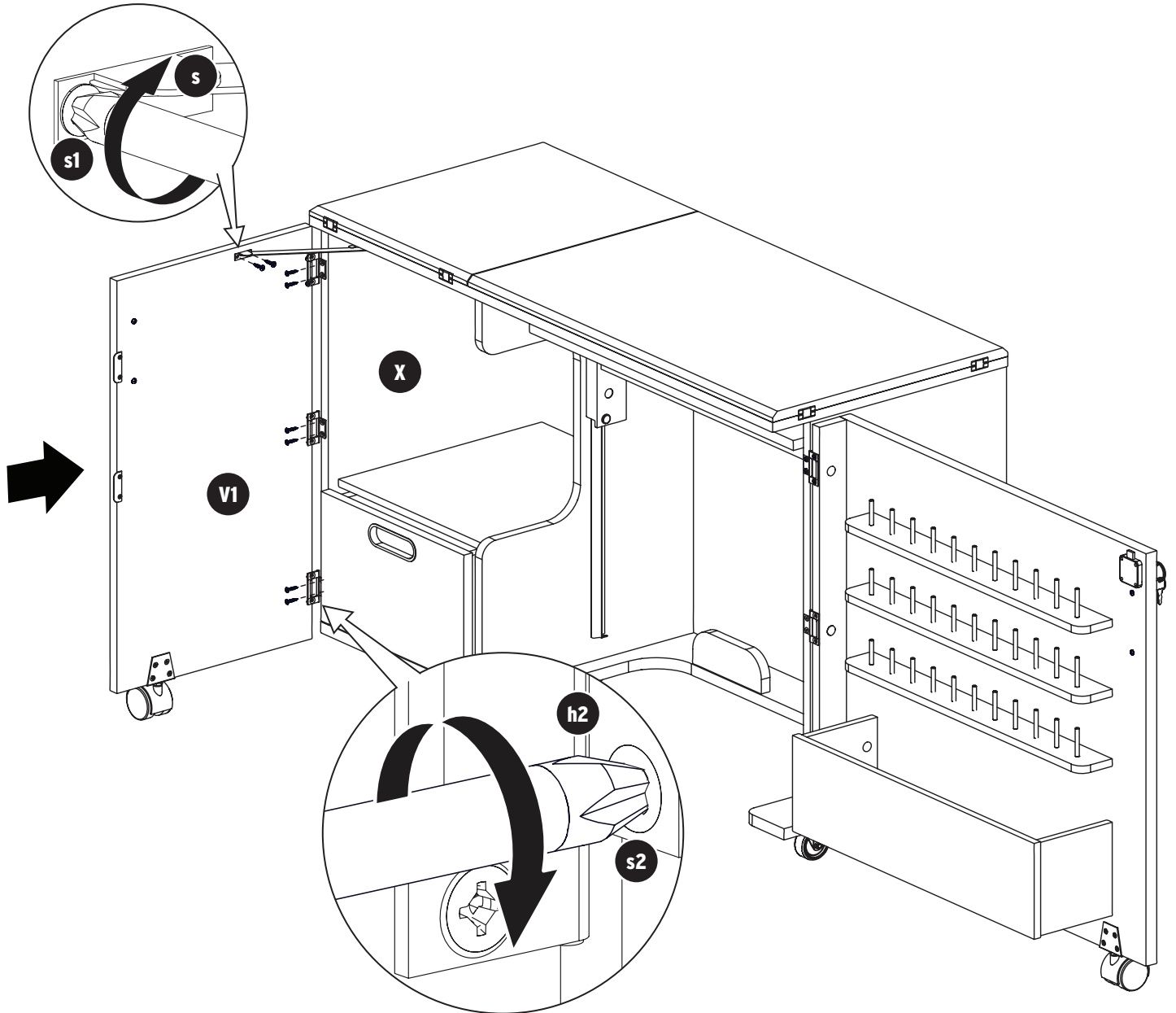
# Step 6: Doors



Attach **h2 Flush Hinges** on **Panel V2b** to **Panel Z** with **s2 Screws** as illustrated here. You may find it helpful to have a friend help you hold the door steady as you attach the hinges, but it is not required.

**A SPECIAL NOTE ABOUT USING TABLETOP LEAVES:** Do **NOT** extend the leaves until you have support panels in place. Doing so may damage the cabinet and void your warranty.

# Step 6: Doors



Attach **h2 Flush Hinges** on **Panel V1** to **Panel X** with **s2 Screws**.

You may find it helpful to have a friend help you hold the door steady as you attach the hinges, but it is not required.

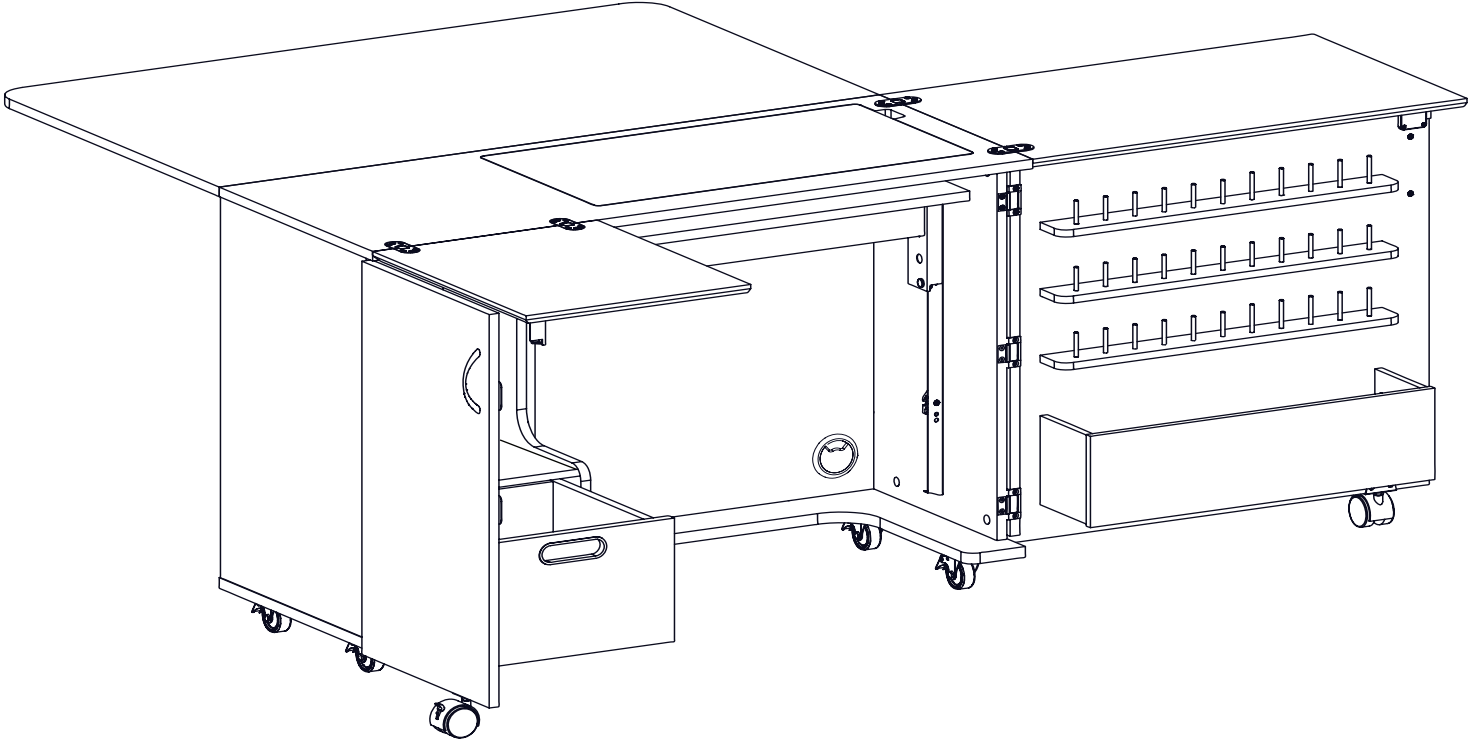
Attach **s Stay Arm** with **s1 Screws** to **Panel V1**



# Assembled Wallaby II Cabinet

**A SPECIAL NOTE ABOUT USING TABLETOP LEAVES:** Do **NOT** extend the leaves until you have support panels in place. Doing so may damage the cabinet and void your warranty.

Note in the illustration below that both of the leaves are supported by the front doors. The quilt panel is supported by the gate leg attached to the back of the cabinet.



**Congratulations! A better sewing experience awaits!**



KANGAROO™  
sewing furniture

## LIMITED LIFETIME WARRANTY

### Kangaroo™ Sewing Furniture Limited Lifetime Warranty

**WHAT THIS WARRANTY COVERS:** Arrow Companies, LLC "Arrow" provides a Limited Lifetime Warranty "Warranty" to the original purchaser of this product against defects in materials or workmanship of furniture components. As used in this Warranty, "defect" means imperfections in components which substantially impair the utility of the product. This Warranty gives you specific legal rights, and you may also have other rights which vary from state to state. Electrical and mechanical components of furniture are warranted for 5 years.

**HOW TO GET SERVICE:** Simply contact Arrow at 1-800-533-7347 or CS@ArrowSewing.com. When you request Warranty service, you must also present proof of purchase documentation, which includes the date of purchase (detailed receipt), and photos of the product. Arrow will replace any defective part (at its sole option), excluding labor. Replacement parts will be warranted for only the remaining period of the original Warranty.

Replacement parts will be shipped freight prepaid on any initial Warranty claim during first year of Warranty only. Warranty applies only to defects confirmed by Arrow and will be replaced or repaired at Arrow's option. In the event parts are no longer available for a Warranty claim, customer may receive a brand new cabinet at a price equal to 60% off the MSRP of a current comparable model.

**WHAT'S NOT COVERED:** There is no Warranty coverage for defects or conditions that result from the failure to follow product assembly instructions, information or warnings, misuse or abuse, intentional damage, fire, flood, alteration or modification of the product, or use of the product in a manner inconsistent with its intended use, nor any condition resulting from incorrect or inadequate maintenance, cleaning, care, or neglect, cuts or scratches, caster damage as a result of moving furniture fully loaded or with locked casters, damage resulting from electrical surge or lightning, or use in commercial or education environments. Kangaroo Sewing Furniture is designed for residential use only.

ARROW SHALL HAVE NO LIABILITY for ANY INCIDENTAL OR CONSEQUENTIAL DAMAGES OF ANY KIND and all such damages are EXCLUDED FROM THIS Warranty, such as loss of use, disassembly, transportation, labor, or damage to property on or near the product. Some states do not allow the exclusion or limitation of incidental or consequential damages, so the above limitation or exclusion may not apply to you. The Warranty cannot be transferred to subsequent owners or users of the product, and it shall be immediately void in the event the product is resold, transferred, leased or rented to any third party or person other than the original purchaser.

**ADDITIONAL LIMITATIONS:** THERE ARE NO OTHER WARRANTIES APPLICABLE TO THIS PRODUCT. Under the laws of certain states, there may be no implied warranties from Arrow and all implied warranties, INCLUDING ANY IMPLIED Warranty OF MERCHANTABILITY OR FITNESS FOR A PARTICULAR PURPOSE are disclaimed where allowed by law. TO THE EXTENT ANY IMPLIED WARRANTIES ARE APPLICABLE, ANY IMPLIED WARRANTIES, INCLUDING ANY IMPLIED Warranty OF MERCHANTABILITY OR FITNESS FOR A PARTICULAR PURPOSE, ARE LIMITED IN DURATION TO THE DURATION OF THIS EXPRESS Warranty or the minimum period allowed by law, whichever is shorter. Some states do not allow limitations on how long an implied Warranty lasts, so the above limitation may not apply to you. This limited Warranty gives you specific legal rights. This limited Warranty does not, in any way, affect the rights given to you by law.

**REGISTER YOUR PRODUCT:** Original purchaser should register the purchase online at [www.ArrowSewing.com/Warranty](http://www.ArrowSewing.com/Warranty).

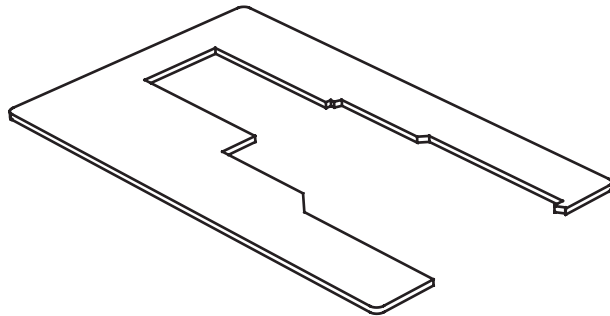
SEW IN COMFORT. SEW LONGER.™



## Accessories to Complete Your Sewing Studio

### Custom Insert

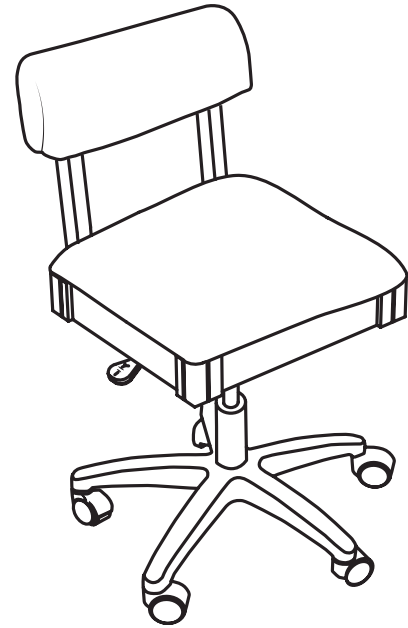
Enhance your sewing experience with a custom acrylic sewing insert! Custom acrylic sewing inserts are designed to fill the gap between your sewing machine and sewing cabinet's lift opening to create a flush, ergonomic surface for flat bed sewing. To ensure a perfect fit, custom acrylic sewing inserts are built specifically for your sewing machine and sewing cabinet combination. Say hello to happy wrists, straighter stitches, and an elevated sewing experience!



Insert

### Arrow Sewing Chairs

Arrow's #1 Rated Height Adjustable Sewing Chair is a must have accessory for your dream sewing room! Cute, comfortable and convenient - our lovable sewing chairs feature vibrant sewing themed patterns, 360 swivel access and lumbar support for long hours at your workstation. Don't look now, but under every seat cushion is a hidden storage compartment to store your notions and patterns! Available in 10 colors to perfectly match your sewing sanctuary!



Height Adjustable Sewing Chair

P.O. Box 410 Elkhorn, WI 53121  
1-800-533-7347 Ext. 1  
CS@ArrowSewing.com  
www.ArrowSewing.com

10-21