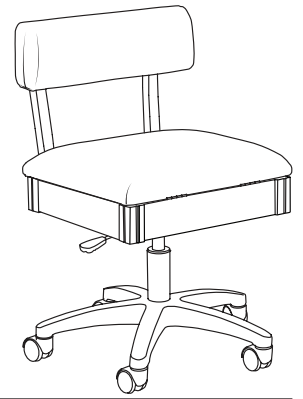


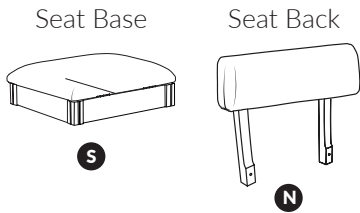
Assembly Manual Guide HYDRAULIC CHAIR

Shipped in 2 boxes

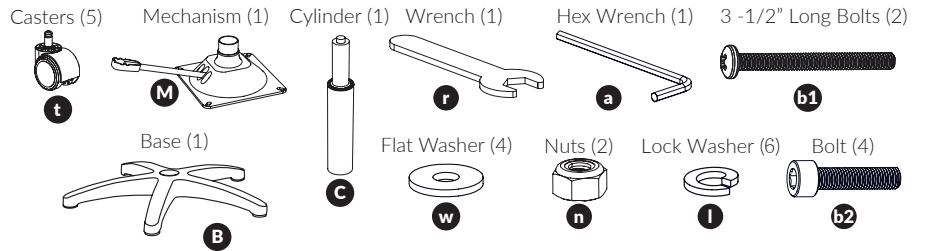


PARTS LIST

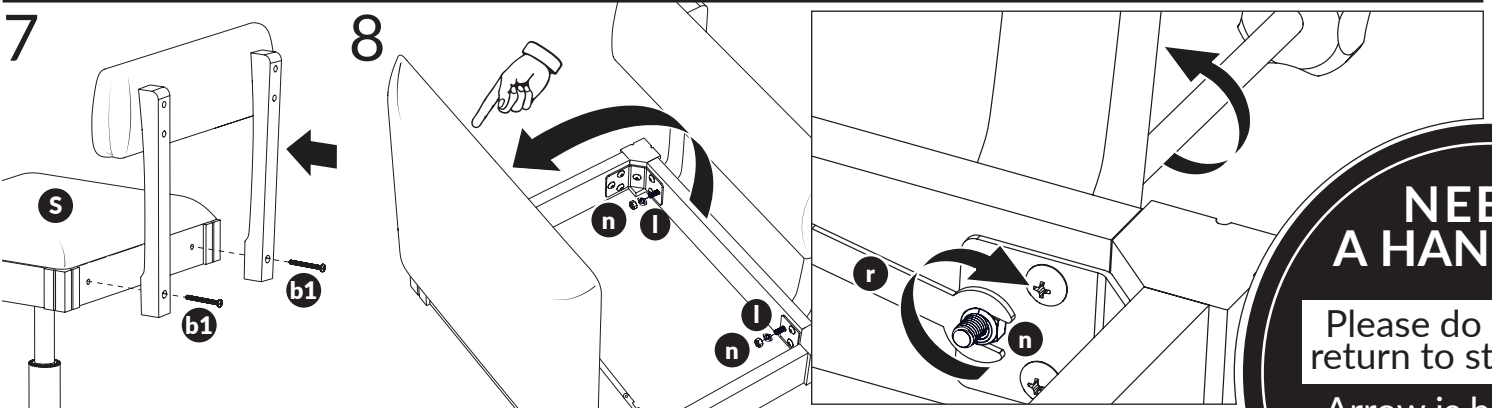
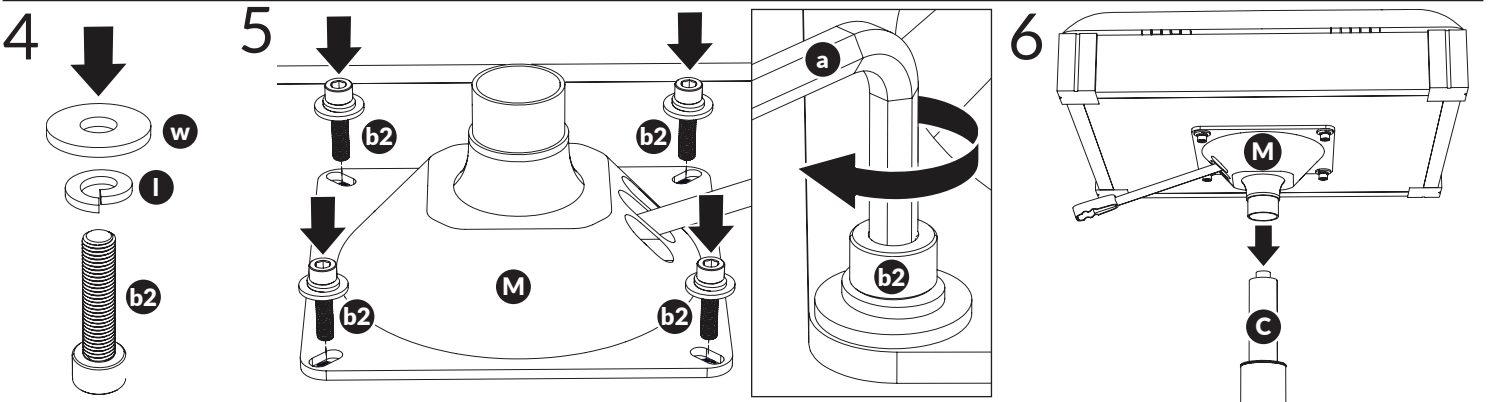
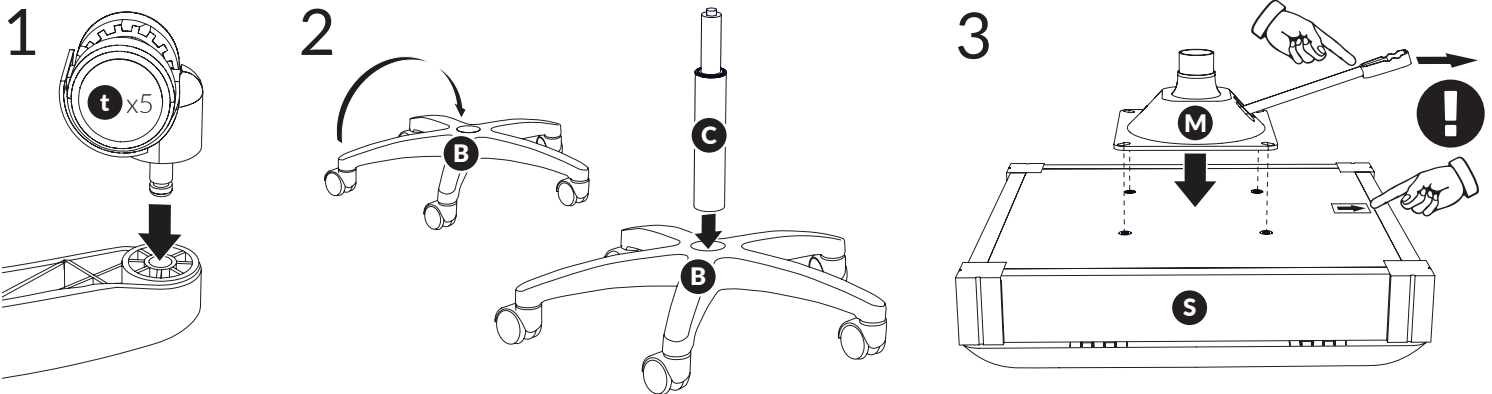
Box 1 - Seat Assembly & Back



Box 2 - Hardware



INSTRUCTIONS



**NEED
A HAND?**

Please do not
return to store

Arrow is here
to help!