



Kangaroo & Joey Assembly Instructions



*Accessories not included

Kangaroo & Joey Sewing Cabinet

Congratulations on the purchase of your new Kangaroo & Joey Sewing Cabinet. Every effort has been taken to ensure your complete satisfaction with this custom designed product. For your convenience the Kangaroo & Joey Sewing Cabinet is supplied in five ready to assemble packs.

Helpful Assembly Hints

Read the instructions carefully before starting. Check to see that all the parts are included. Work in a spacious area preferably on a carpet or soft surface. You will need a phillips head and flat head screw driver for the assembly. A cordless drill is preferable. Ensure the phillips head screwdriver fits neatly and fully engages the screw head. Failure to do this may result in screw damage. Make sure you tighten all the screws securely and tap dowels all the way in.

Warranty Information

G-day mate! We warranty our product for 1 year from date of shipment for manufacturer's defects or shipping damage within the first 15 days. The warranty does not cover damage caused by abuse, mis-use, alteration, accident, or neglect of the product. The warranty does not cover damage caused by moving the cabinet fully loaded. Under the terms of this warranty the repair and replacement of any parts shall be at the discretion of the company or their designated representative.

Replacement Part Shipping Policy

To help protect our valuable resources, we ship all replacement parts out at the same time. This procedure lessens the use of packaging materials and fossil fuels used in transportation keeping our world for all kangaroos and the people like you a cleaner place. Please help us in this endeavor by reviewing all parts in all boxes for damage before calling or e-mailing us to report damage. We adhere to our environmental philosophy by only shipping replacement parts out 1 time for free. Future parts requests will be billed at the customer's expense.

Cabinet Care

Your Kangaroo & Joey Sewing Cabinet normally requires a minimum amount of maintenance, however the following points are worth noting:

CLEANING - To remove marks and enhance the surface, wipe over with a general purpose cleaner.

CAUTION - Do not use ammonia based cleaning agents. Do not use harsh chemicals or abrasive cleaners. The surface can be wiped with a damp cloth but should be dried quickly.





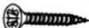






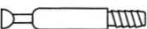

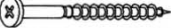








If you have missing or damaged parts please call Kangaroo Kabinets at 1-800-533-7347



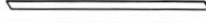
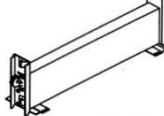


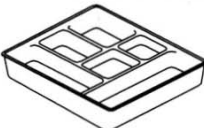

or email us at: cs@kangarookabinets.com

Also visit our website: www.kangarookabinets.com

Kangaroo Kabinets is a product
of Arrow Sewing Cabinets

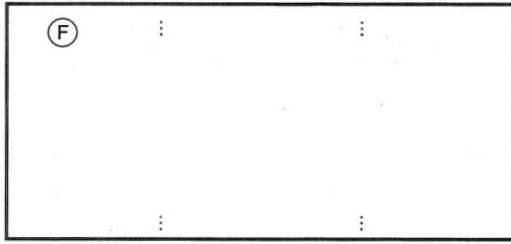
Kangaroo Assembly Instructions

COMPONENTS	DESCRIPTION	QTY
	Cam Bolt	11
	(A) Cam 15 x 12mm	11
	Dowel	24
A 	Screw 3.4 x 15mm	76
D 	Screw 3.5 x 18mm	4
F 	Screw 6 x 10mm	4
	Caster Washer	5
	Non-Locking Caster	5
	Locking Caster	2
	Caster Bracket	2
	Caster Wrench	1
	Cam Bolt	2
	(B) Cam 15 x 10mm	2
	Screw 4 x 32mm	4
	Butt Hinge	8
	Drawer Runner*	1 sets
	Button Handle w/ Screw	2
	Glue	3
	Stabilizer Wedge	2
	Shelf Support	2
	Support Post	2
	Bumper	2

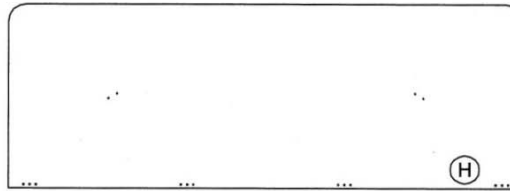
COMPONENTS	DESCRIPTION	QTY
	Insert Holder	1
	Right Lifter Rail	1
	Left Lifter Rail	1
	Lifter	1
	Gate Leg Button	2
	Ramp	2
	Mirror Tray	1
	Ball Catch	2 sets

*Excludes pre-attached Drawer Runners on Drawer Sides

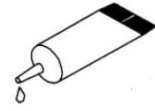
Kangaroo panels and their descriptions



Cabinet Back Panel (F)

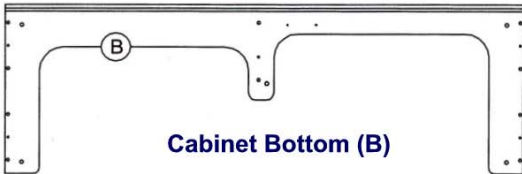


Quilt Leaf (H)

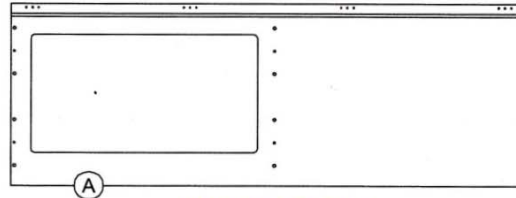


Before assembling place 2 to 3 drops of glue in each dowel hole.

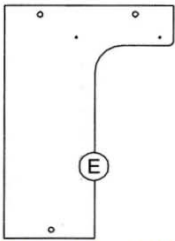
Do Not place glue in Cam or Cam Bolt holes.



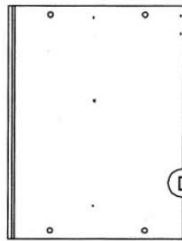
Cabinet Bottom (B)



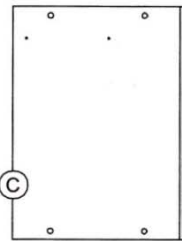
Cabinet Top (A)



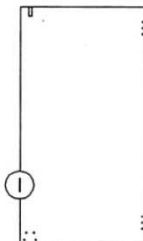
Division Panel (E)



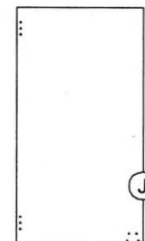
Right End Panel (D)



Left End Panel (C)



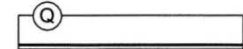
Left Gate Leg (I)



Right Gate Leg (J)



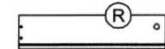
Drawer Front (N)



Drawer Back (Q)



Left Drawer Side (P)



Right Drawer Side (R)



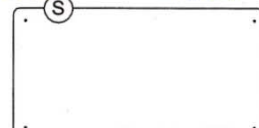
Lifter Board (G)



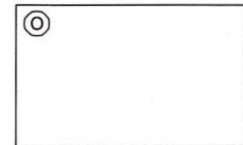
Front Cover (L)



Lifter Insert (M)



Support Leaf (S)



Drawer Bottom (O)

What you need:



Ramp x 2



(D) Screw x 4

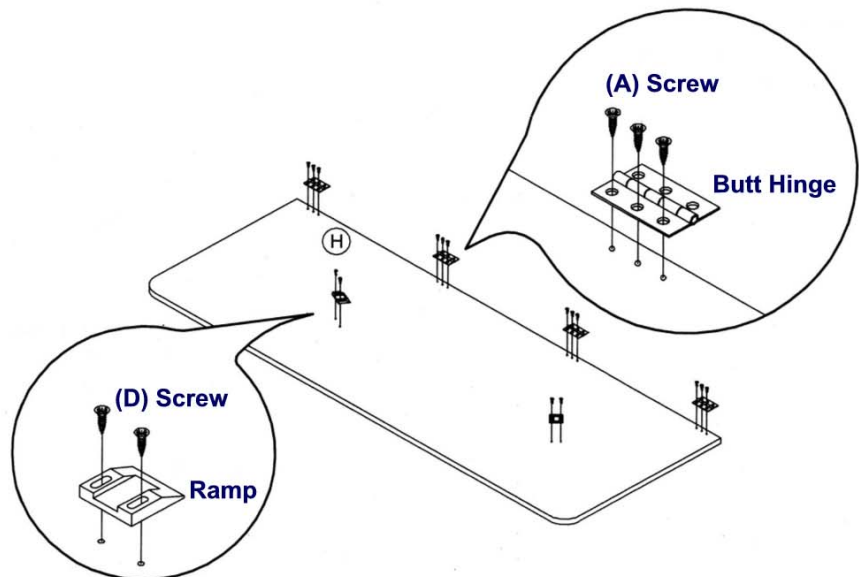


Butt Hinge x 4



(A) Screw x 12

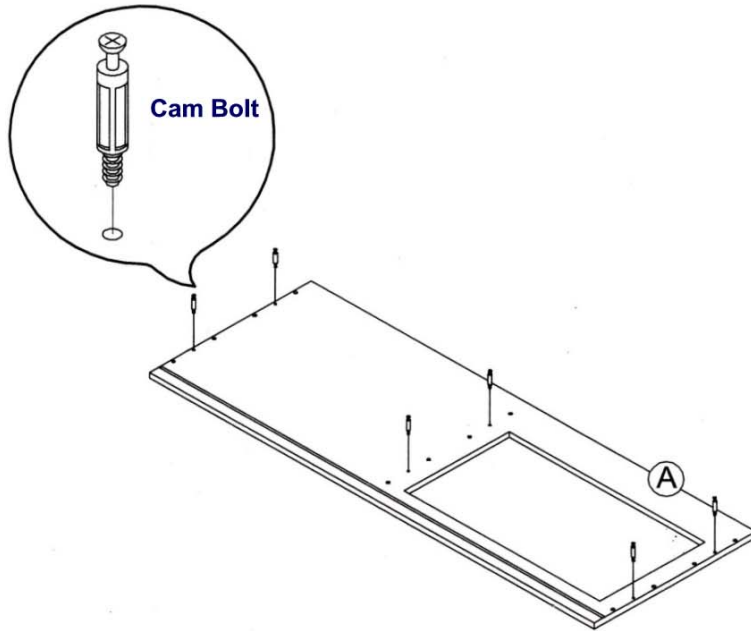
Step 1: Gather Back Flap (H). Attach Ramps to Panel (H) using 4 (D) Screws as shown. Attach 4 Butt Hinges to Panel (H) using altogether 12 (A) Screws.





Cam Bolt x 6

Step 2: Gather Cabinet Top (A). Insert 6 Cam Bolts to Panel (A) as shown.



Dowel x 8



(A) Cam x 4



Right Lifter Rail



(A) Screw x 5



Ball Catch Mount x 1

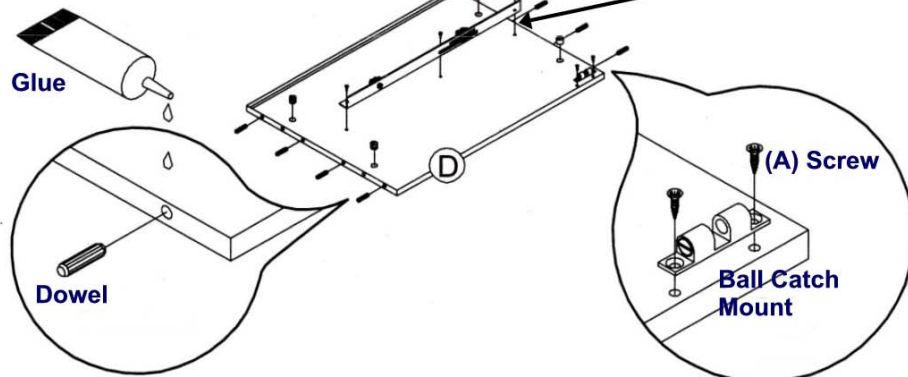
Step 3: Gather Right End Panel (D). Place 2 to 3 Drops of glue into each dowel hole on the edge of Panel (D) and insert 8 Dowels. Insert 4 Cams as shown, ensuring the arrow points to the closest edge. Attach the Ball Catch Mount using 2 (A) Screws. Attach the Right Hand Lifter Rail onto Panel (D) using 3 (A) Screws as shown.

Note:
Arrow on Cam points
towards the closest edge.

(A) Screw

Right Lifter
Rail

Note:
Lifter Rail will be level
with the Panel end.



Glue

Dowel

(A) Screw

Ball Catch
Mount

Kangaroo Assembly Instructions

Step 4: Gather Cabinet Bottom (B). Insert 5 Cam Bolts into the Cabinet Bottom (B) as shown. Attach the Insert Holder using 2 (A) Screws.

Cam Bolt x 5

Insert Holder

(A) Screw x 2

Cam Bolt

(A) Screw

Insert Holder

B

Step 5: Gather Division Panel (E). Place 2 to 3 drops of glue into each dowel hole on the edge of Panel (E) and insert 6 Dowels. Insert 3 (A) Cams into Panel (E) as shown. Attach Right Drawer Runner using 2 (F) Screws. Attach the Ball Catch Mount using 2 (A) Screws as shown. Screw Left Lifter Rail onto Panel (E) using 3 (A) Screws.

Dowel x 6

(A) Cam x 3

Left Lifter Rail

Ball Catch Mount

Right Drawer Runner x 1

(F) Screw x 2

(A) Screw x 5

(F) Screw

Right Drawer Runner

Glue

(A) Cam

Dowel

(A) Screw

Ball Catch Mount

(A) Screw

E

Note: Arrow on Cam points towards the closest edge.

Note: Lifter will be level with the panel end.

Step 6: Gather Left End Panel (C). Place glue in dowel holes on edge of Panel (C) and insert 8 Dowels. Insert 4 (A) Cams into Panel (C) as shown. Attach Left Drawer Runner to Panel (C) using 2 (F) Screws.



Dowel x 8



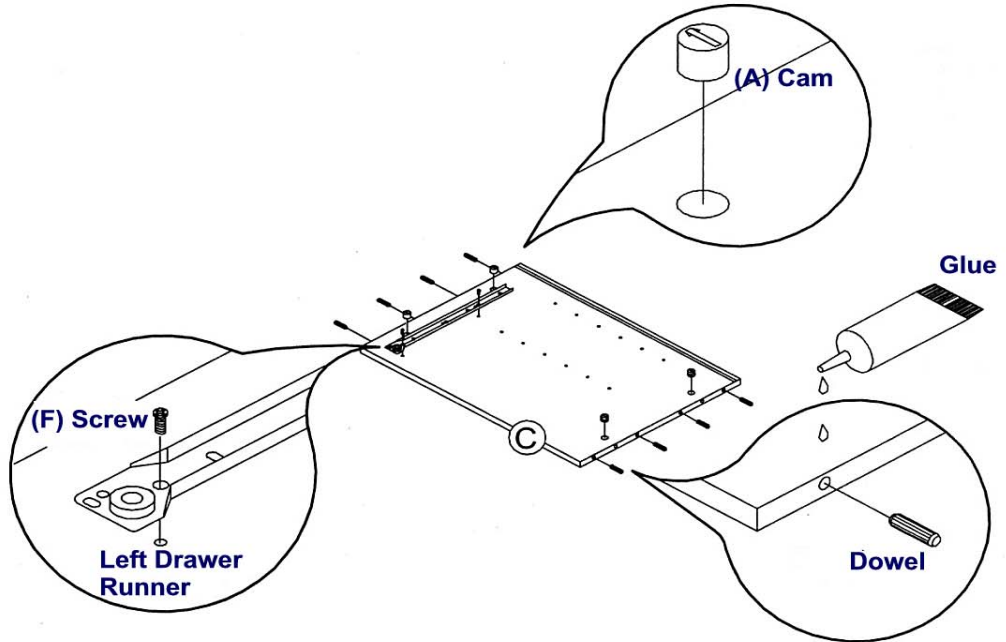
(A) Cam x 4



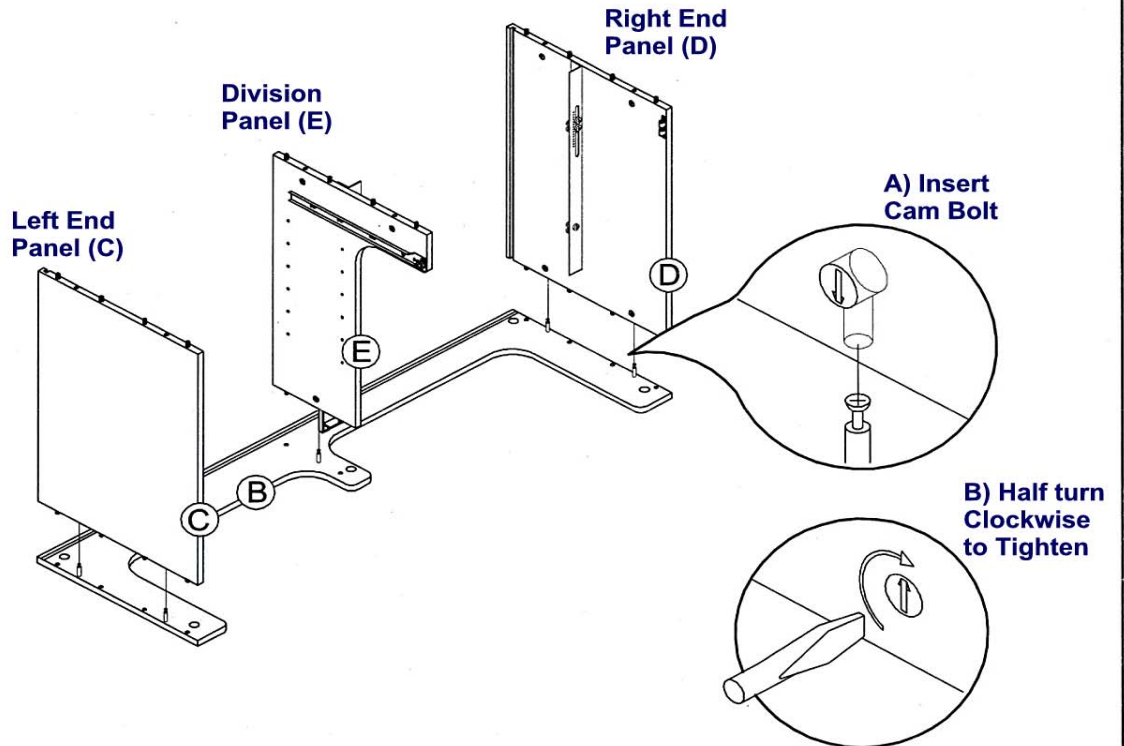
Left Drawer Runner x 1



(F) Screw x 2

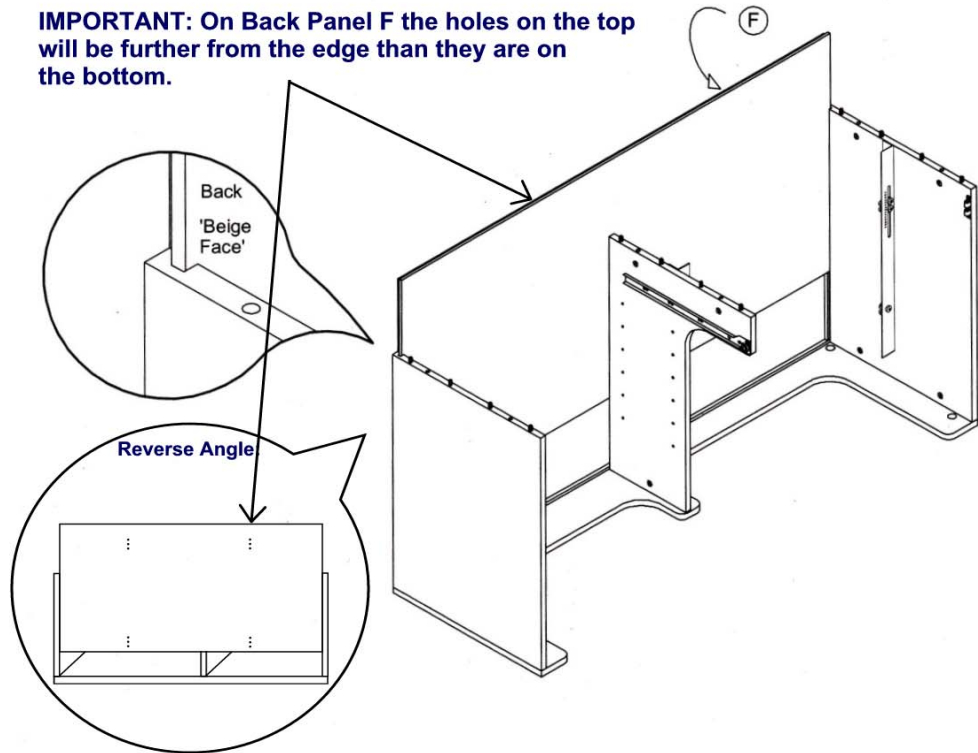


Gather Panels (B), (C), (E), and (D). Place glue in dowel holes on Panel (B). Attach Panels (C), (E) and (D) to Bottom Panel (B) as shown. Tighten 5 (A) Cams on the bottom of Panels (C), (E), and (D).

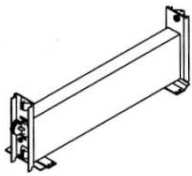


Step 8: Gather Cabinet Back Panel (F). Slide the Back Panel (F) into the groove in Panels (C) and (D). Note the Beige colored face will be on the inside of Cabinet.

IMPORTANT: On Back Panel F the holes on the top will be further from the edge than they are on the bottom.



Step 9: Gather Lifter Board (G). Attach the lifter on the Lifter Board (G) using 4 (A) Screws.

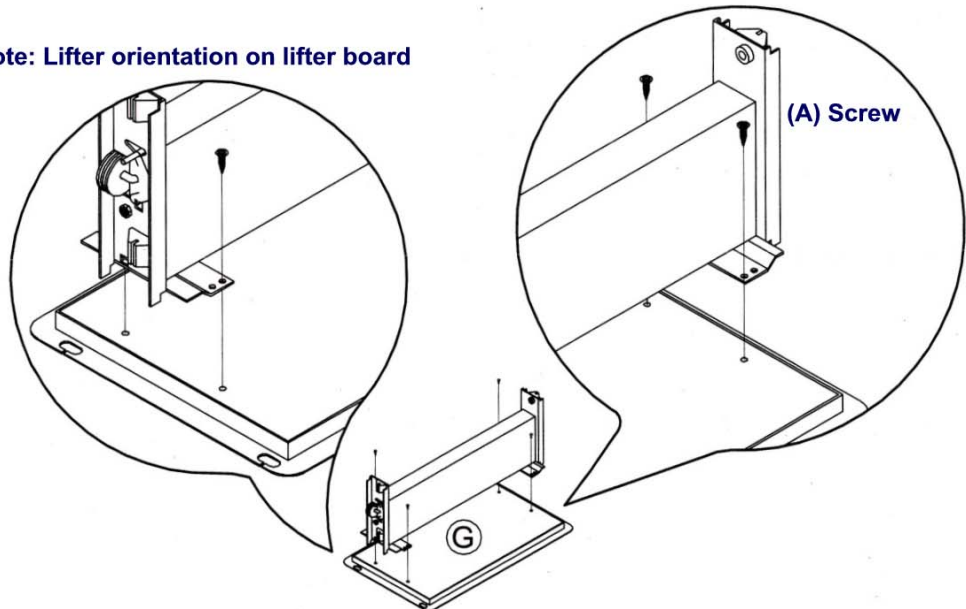


Lifter

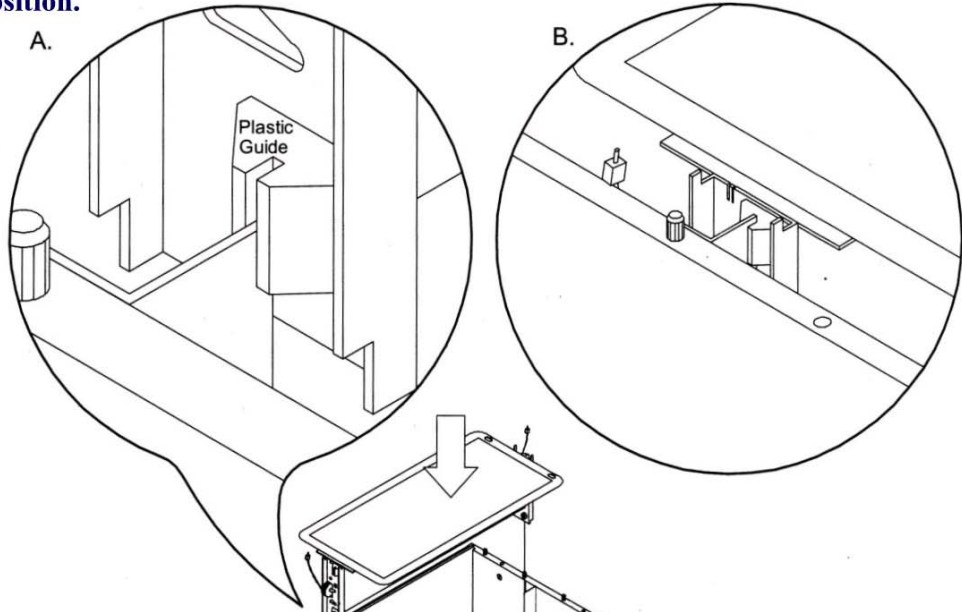


(A) Screw x 4

Note: Lifter orientation on lifter board



Step 10: Position the Lifter guides over the Rails and gently slide the lifter into position.



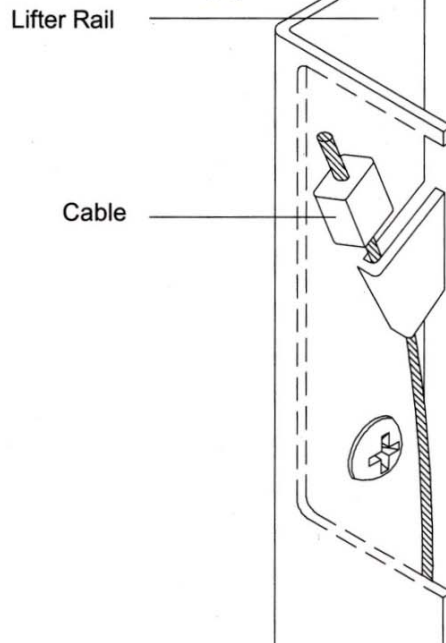
If you need additional help please visit our website to see a video of our alternate method:

www.kangarookabinets.com/videos.php

Note:

Ensure all 4 plastic guides (2 on each side) are positioned correctly over the rails. Check the orientation with the illustration.

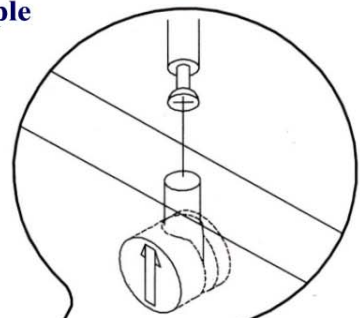
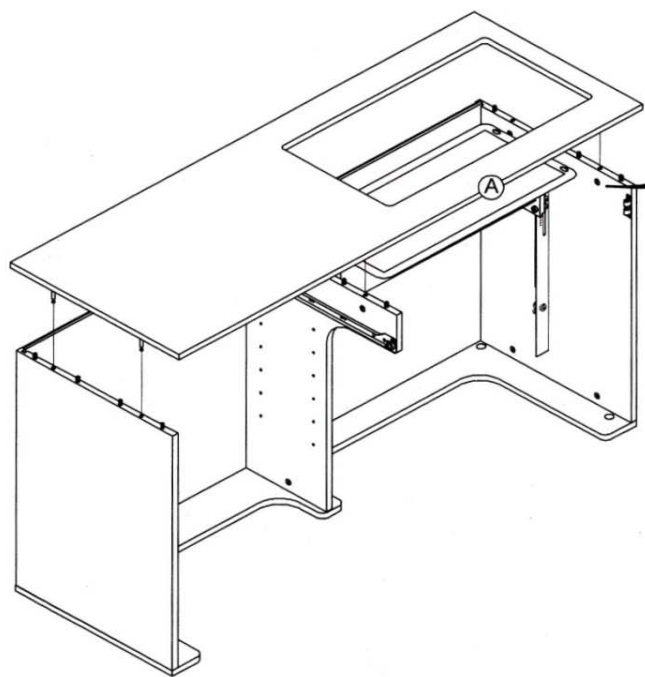
Step 11: Loop Cable through Metal Tab on Lifter Rail and secure. Push Lifter down and click into first stop position.



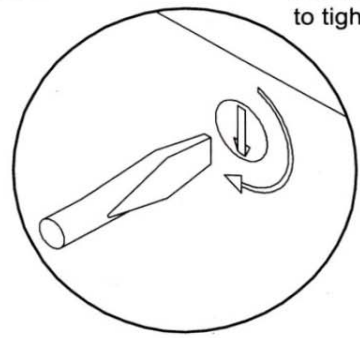
Note:

When the Lifter is clicked into this first stop position a small block of timber will disengage from the rear of the Lifter. Discard block.

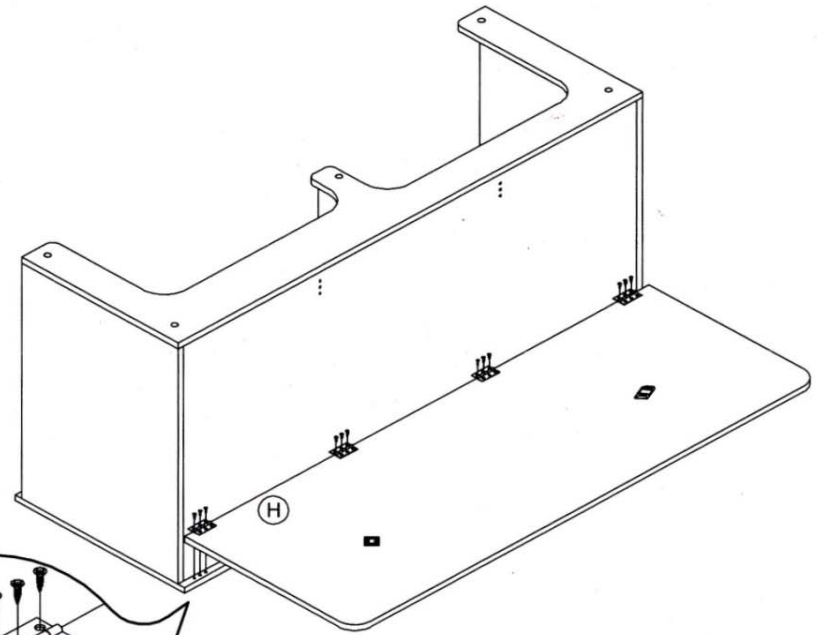
Step 12: Gather Top Panel (A). Place 2 to 3 drops of glue in the Dowel holes on the top of the assembly and attach Panel (A) to Cabinet Assembly as shown. Tighten 6 (A) Cams on the Assembly. Using 2 people rotate Cabinet onto its Back on the Top carefully.



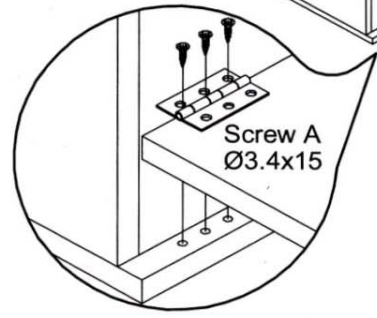
B. Half turn clockwise to tighten





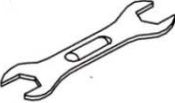
Step 13: Gather the Quilt Leaf (H). Attach Leaf (F) to Cabinet using 12 (A) Screws as shown.

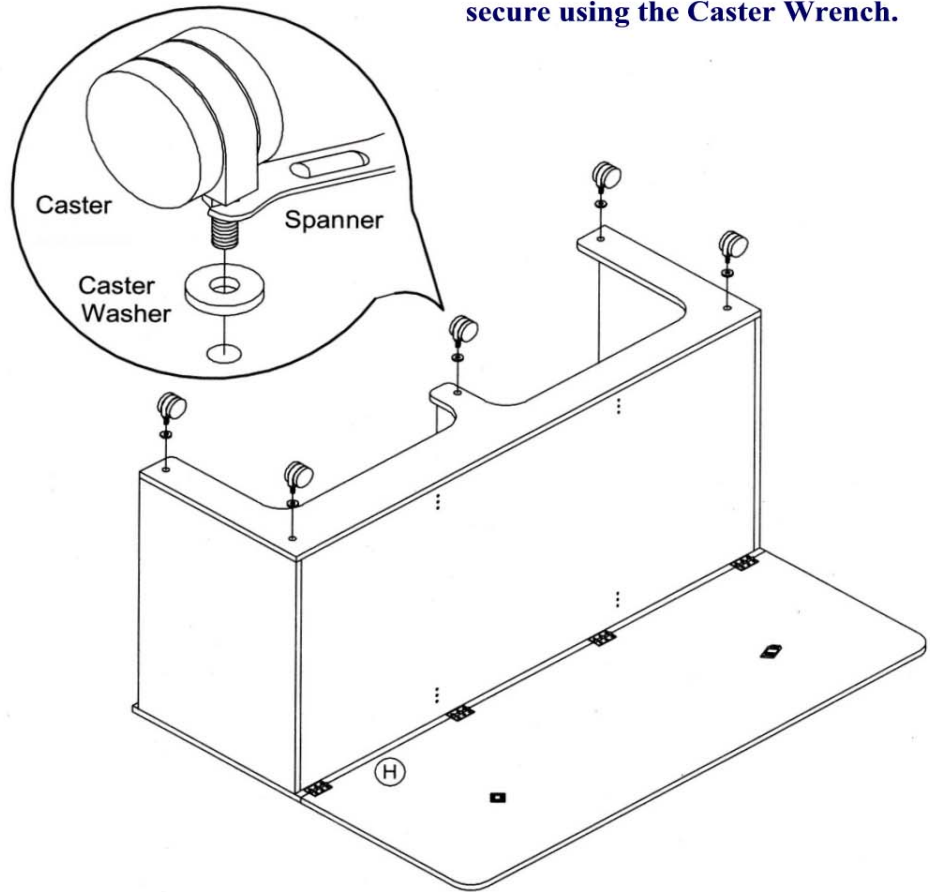


(A) Screw x 12



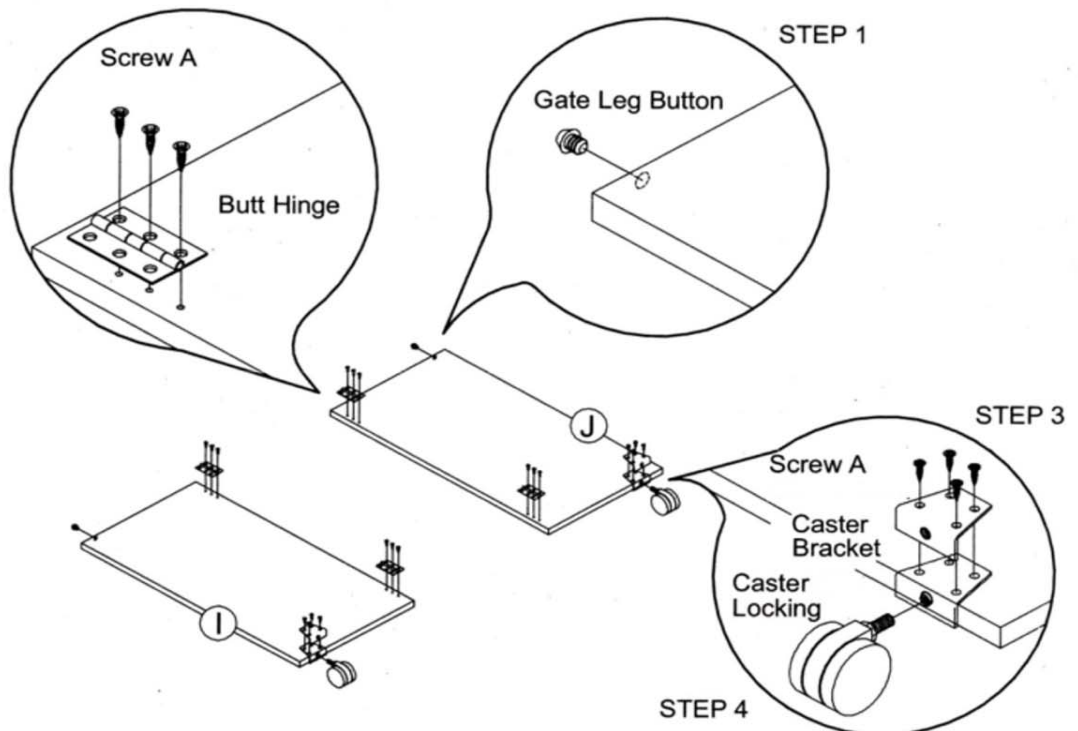
Step 14: Place Caster Washer over Caster thread and screw into Bottom and secure using the Caster Wrench.

-  Non-Locking Caster x 5
-  Washer x 5
-  Caster Wrench

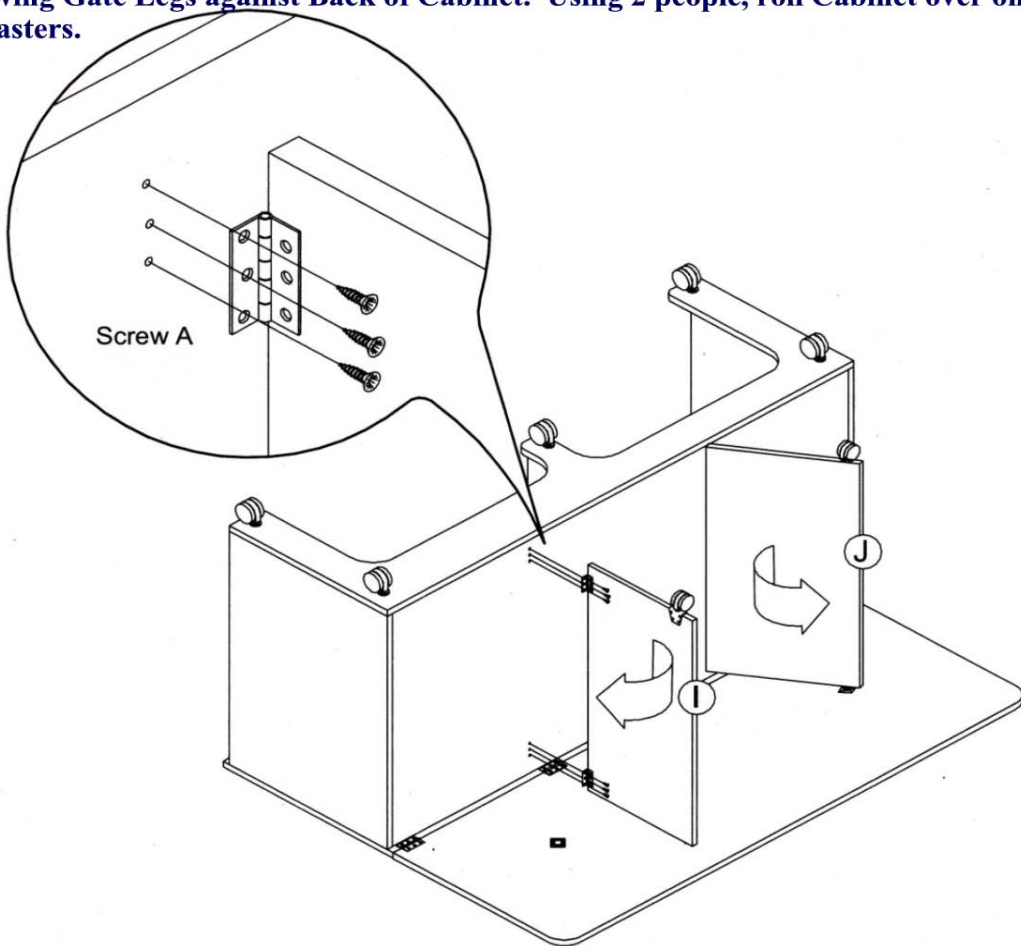


Step 15: Gather Left Gate Leg (I) and Right Gate Leg (J). Tap in Gate Leg Buttons as shown. Screw on Hinges using 6 (A) Screws. Screw on Caster Baskets using (A) Screws x 4. Screw on Locking Casters as shown. Repeat for Left and Right Gate Legs.

-  Gate Leg Button x 2
-  Butt Hinge x 4
-  Caster Bracket x 2
-  Locking Caster x 2
-  (A) Screw x 20

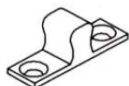
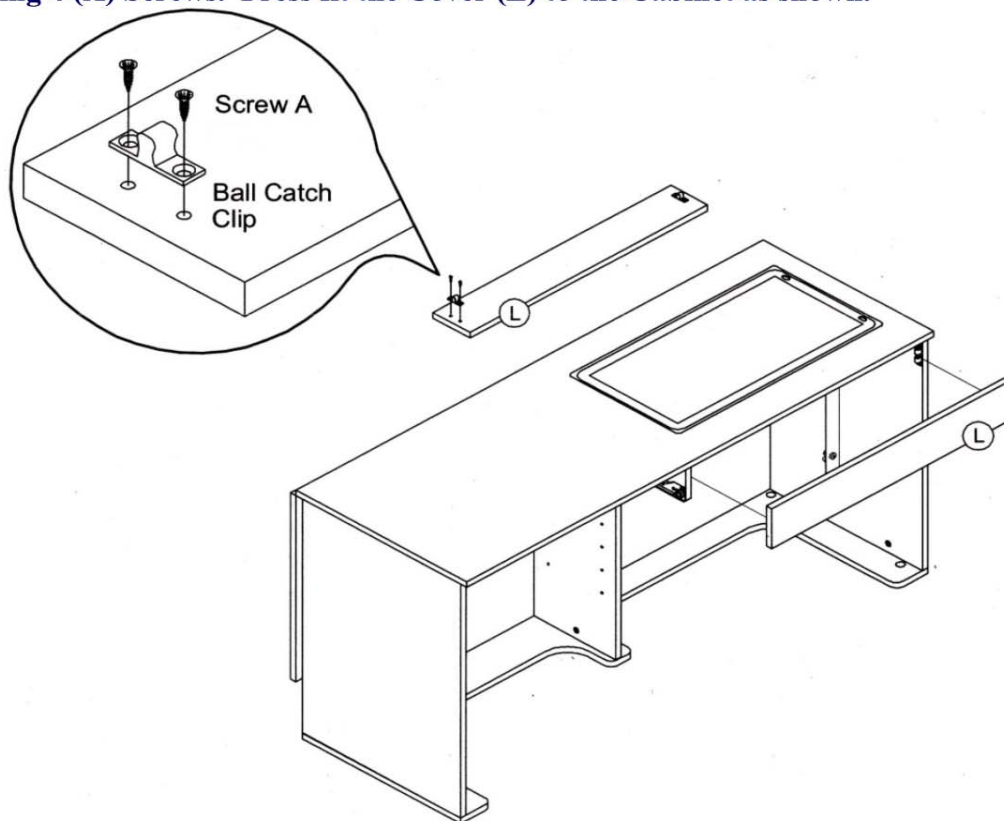


Step 16: Attach Gate Legs (I) and (J) to the back of Cabinet using 12 (A) Screws. Swing Gate Legs against Back of Cabinet. Using 2 people, roll Cabinet over onto Casters.



(A) Screw x 12

Step 17: Gather Front Cover (L). Attach Ball Catch Clip to the Front Cover (L) using 4 (A) Screws. Press fit the Cover (L) to the Cabinet as shown.



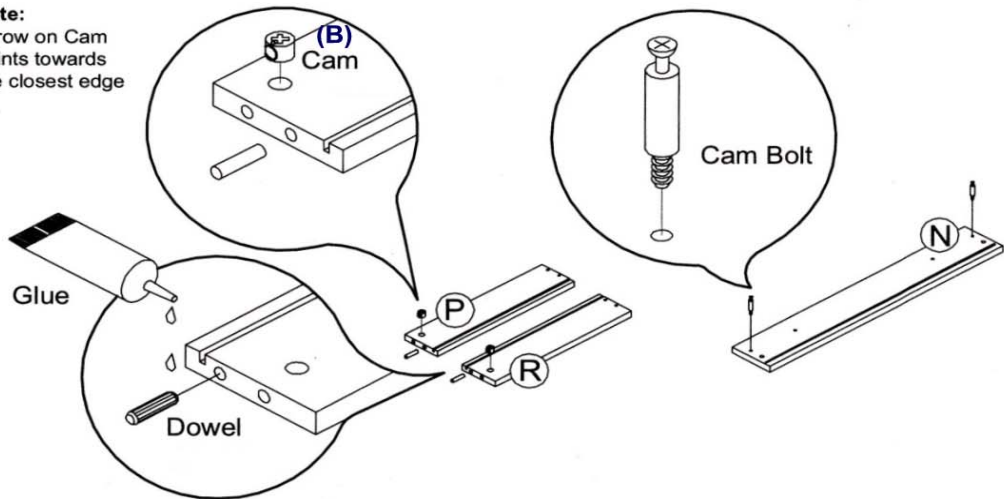
Ball Catch Clip x 2



(A) Screw x 4

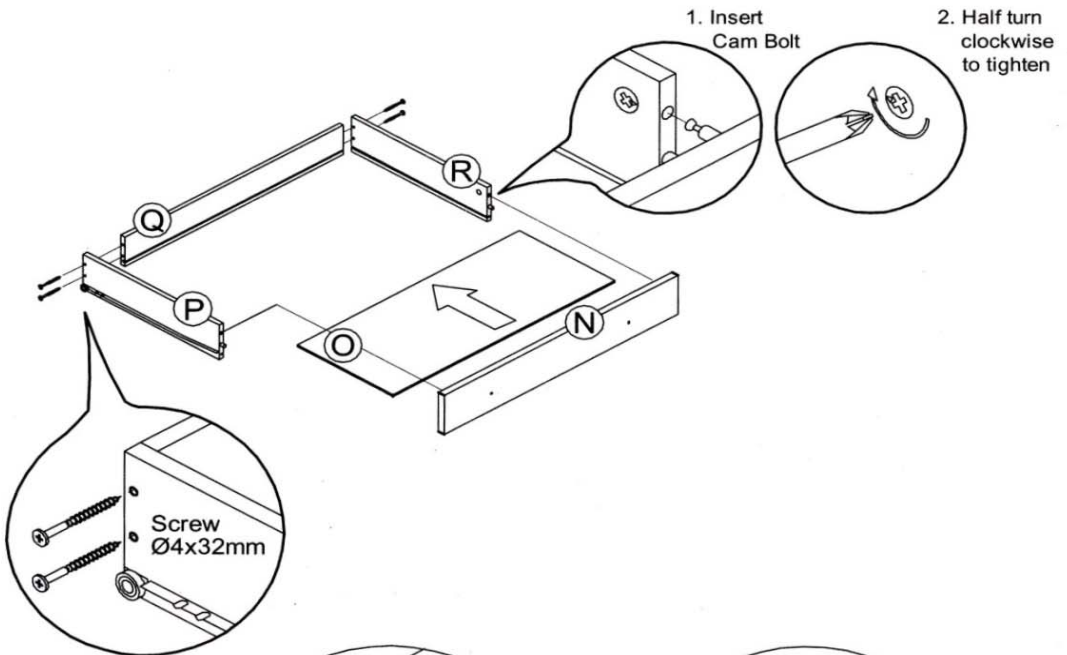
-  (B) Cam x 2
-  Dowel x 2
-  Cam Bolt x 2

Note:
Arrow on Cam
points towards
the closest edge

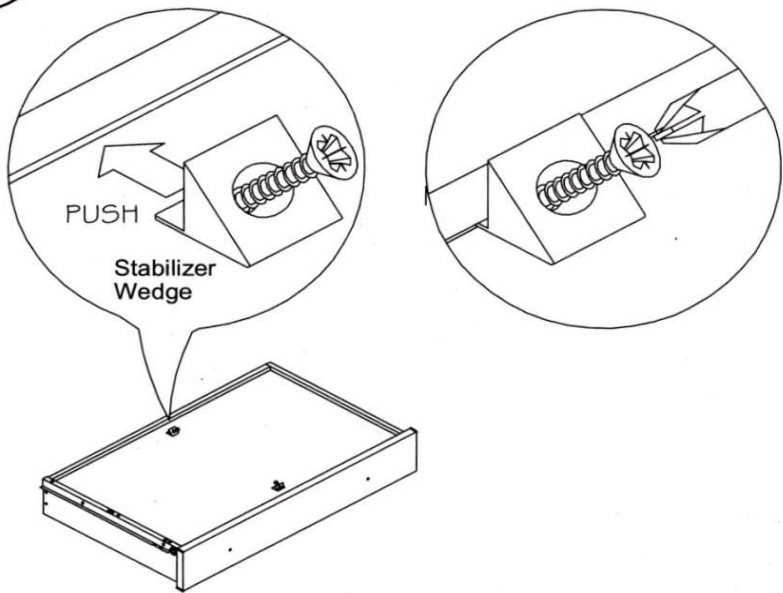


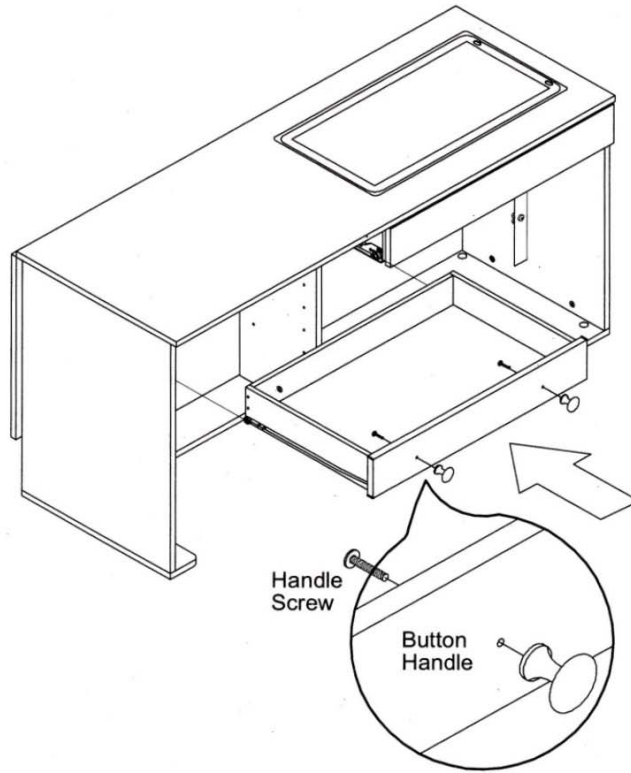
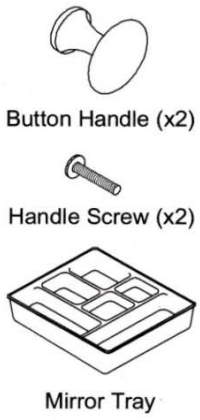
Step 18:
Gather Drawer Sides (P)
and (R) and Drawer Front
(N). Place glue in dowel
holes on the Drawer
Sides (P) and (R) and
insert 2 Dowels. Screw
the 2 Cam Bolts into
Drawer Front as shown.
Insert Cams into the
Drawer Sides.

-  Scerw 4 x 32mm
x 4
-  Stabilizer Wedge x 2
-  Drawer Runner x 2

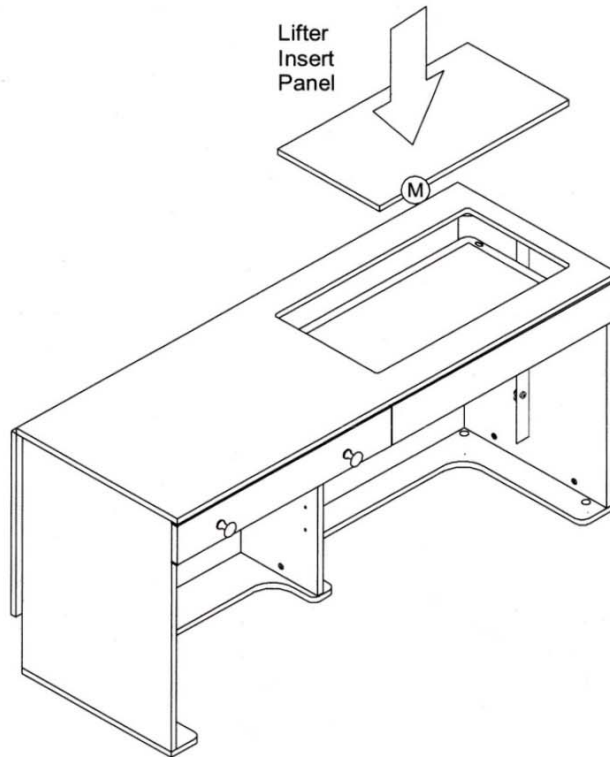


Step 19:
Gather Drawer Back (Q)
and Drawer Bottom (O).
Attach Drawer Runners
to both Sides (P) and (R).
Attach Drawer sides to
Drawer Back (Q) using 4
4 x 32mm Screws. Slide
the Drawer Bottom (O)
into the Drawer Side
grooves. Place glue into
dowel holes in Drawer
Front, then secure by
turning (B) Cams a half
turn clockwise. Turn the
Drawer over and position
the Stabilizer Wedge in
the middle of the Drawer
Back and press firmly into
the groove. Then screw
into place.





Step 20:
Attach Button Handles to the Drawer as shown. Locate the Drawer on the Runners and slide into the Cabinet. The Mirror Tray can be inserted into Drawer.



Step 21:
Press the Lifter to the first "Flatbed Position" and place Lifter Insert (M) in the Lifter opening.

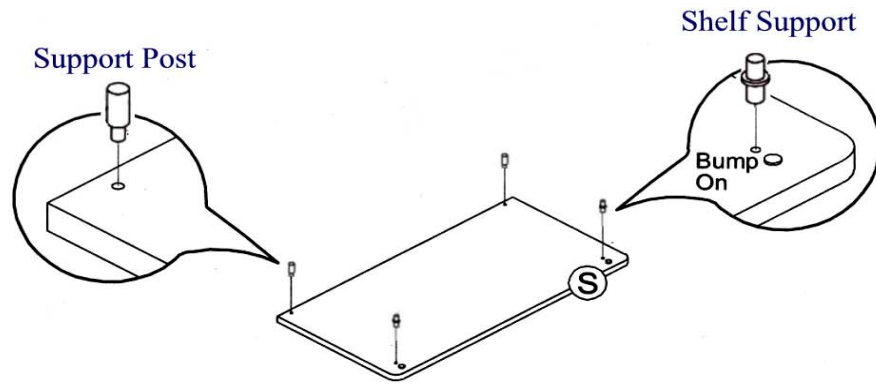
22. Extension Shelf Assembly

 Support Post x 2

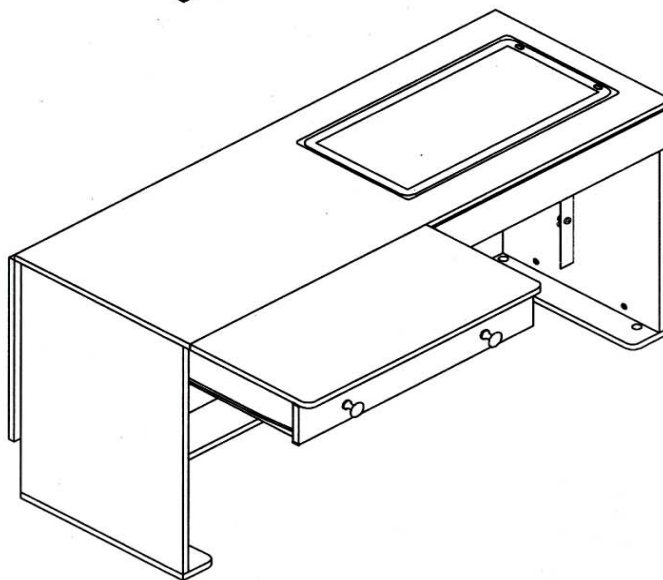
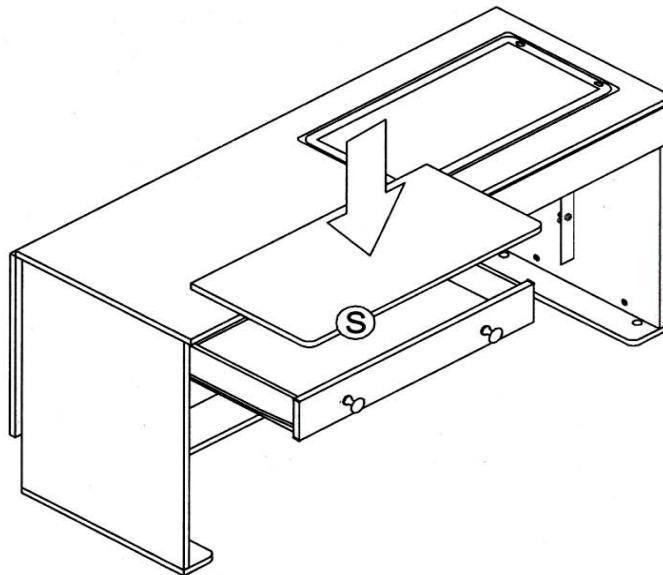
 Shelf Support x 2

 Bumpers x 2

Step 22:
Press fit the Support Posts into Panel S. (on the side with square corners.) Press fit the Shelf Supports into Panel (S). Stick on Bumpers as shown.



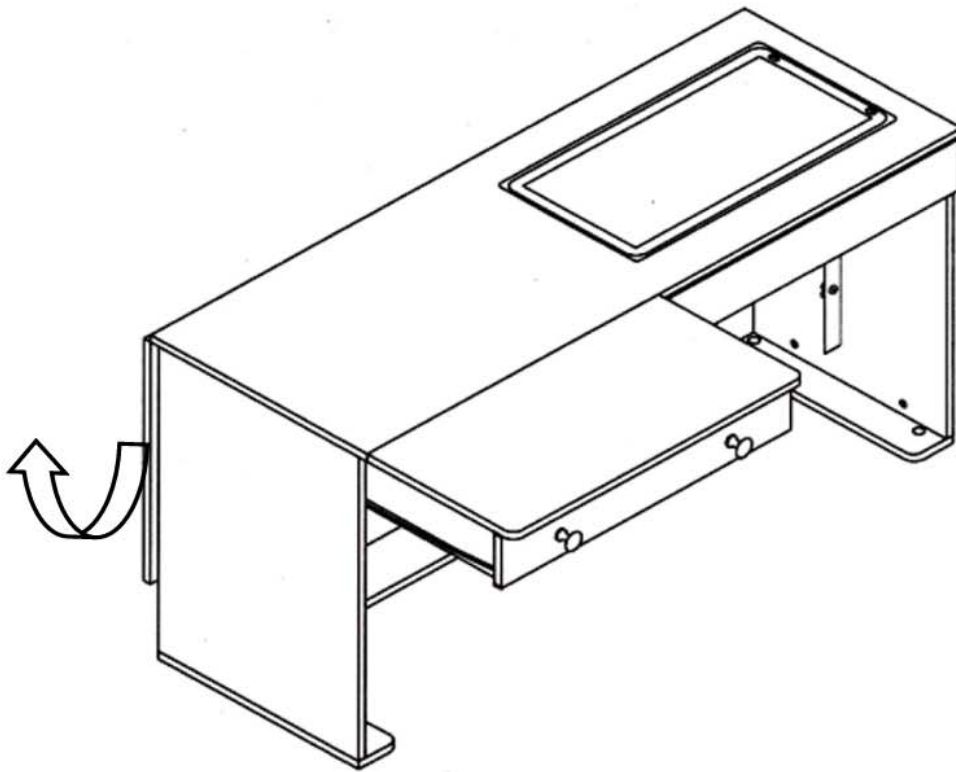
23. Extension Shelf Assembly



Step 23:
Fully extend and lock out the Drawer. Place the Support Leaf over the Drawer. Ensure it is located correctly with Support Posts resting on the Drawer Sides and the Shelf Supports positioned outside the Drawer Sides on the inside of the Drawer Front.

Operating Instructions

The Quilt Leaf Extension on the back of the Kabinet folds upward and is supported by the support a panel underneath. Opening the leaf without support from the door can and will cause structural damage to the cabinet and your machinery as well as bodily harm to the user.

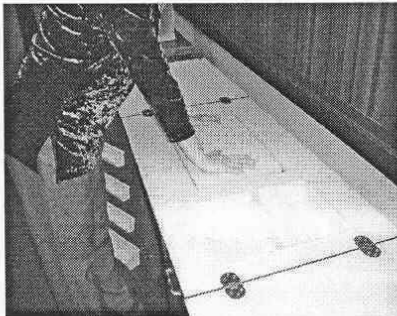


How To Work the Air Lift Mechanism

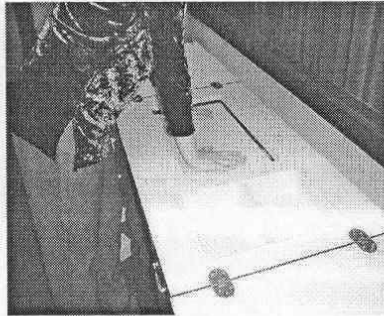
The Air Lift has 3 positions for your sewing machine: storage, flatbed and freearm.

Follow these simple instructions to move the Air Lift into the 3 Different Positions:

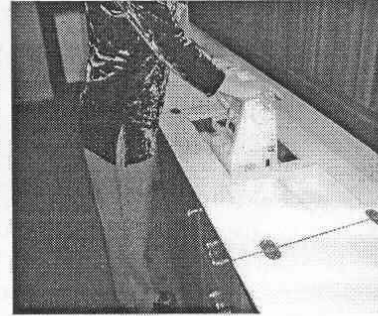
- 1) Once your cabinet is fully assembled you can begin moving the Air Lift
- 2) To activate the mechanism for the first time open the door on the cabinet and push down with 2 hands on the platform and release, as shown below in pictures 1 and 2.
- 3) The top position known as the freearm position usually takes 2 small pushes to activate. The freearm position has more resistance than the other two positions.
- 4) Once you are comfortable moving the platform up and down into the 3 positions place your sewing machine on the platform.
- 5) Before moving the platform with your sewing machine on it, check to see that your machine is sitting centered on the platform and will not hit the sides of the cabinet as it moves up and down in the cabinet.
- 6) Push down on your sewing machine sitting in the cabinet to activate the Air Lift, as shown below in picture 3.
- 7) Heavier machines (20 pounds or more) may move slower than other lightweight machines and may need assistance as they move into the top positions. Heavier machines may require you to lift slightly on the platform for machine to lock the Air Lift into position.



Picture 1



Picture 2



Picture 3

How to Adjust the Airlift Mechanism

To Adjust the height of the airlift mechanism in the flatbed position you will need to gather the following: Automatic Drill w/ Phillips screw bit and two people. First position the airlift in the flatbed position. Loosen both screws on the Right Lifter Rail 1/4" to 1/2" as shown in, FIG 1 and 2 however DO NOT loosen the screws completely out of the Lifter Rail. Next place your machine on the platform with a straight edge, have the second person push the platform down to the right height so the straight edge is touching the table top as shown in FIG 3 and 4. Tighten both screws on the Right Lifter Rail completely. The flatbed position should now be the right height for ideal sewing. For a video of this please visit the FAQ section of our website www.kangarookabinets.com.

FIG 1

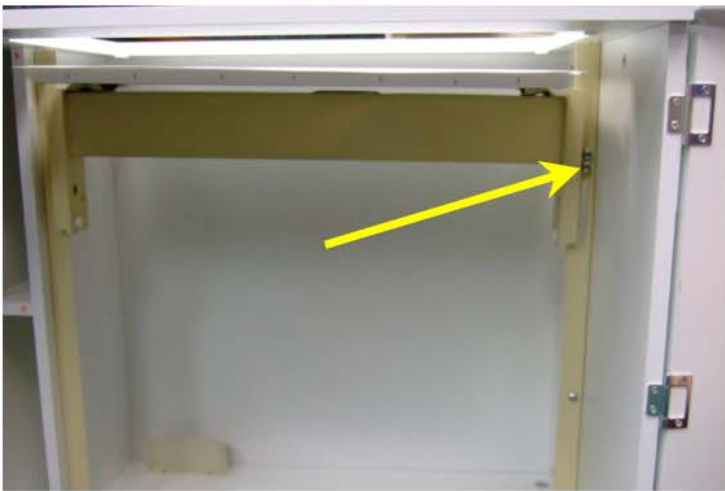


FIG 2



FIG 3



FIG 4



Joey Assembly Instructions



Joey Companion Caddy

Congratulations on the purchase of your new Joey Companion Caddy. Every effort has been taken to ensure your complete satisfaction with this custom designed product. For your convenience the Joey Companion Caddy is supplied in one ready to assemble pack.

Helpful Assembly Hints

Read the instructions carefully before starting. Check to see that all the parts are included. Work in a spacious area preferably on a carpet or soft surface. You will need a phillips head and flat head screw driver for the assembly. A cordless drill is preferable. Ensure the phillips head screwdriver fits neatly and fully engages the screw head. Failure to do this may result in screw damage. Make sure you tighten all the screws securely and tap dowels all the way in.

Warranty Information

G-day mate! We warranty our product for 1 year from date of shipment for manufacturer's defects or shipping damage within the first 15 days. The warranty does not cover damage caused by abuse, mis-use, alteration, accident, or neglect of the product. The warranty does not cover damage caused by moving the cabinet fully loaded. Under the terms of this warranty the repair and replacement of any parts shall be at the discretion of the company or their designated representative.

Replacement Part Shipping Policy

To help protect our valuable resources, we ship all replacement parts out at the same time. This procedure lessens the use of packaging materials and fossil fuels used in transportation keeping our world for all kangaroos and the people like you a cleaner place. Please help us in this endeavor by reviewing all parts in all boxes for damage before calling or e-mailing us to report damage. We adhere to our environmental philosophy by only shipping replacement parts out 1 time for free. Future parts requests will be billed at the customer's expense.

Caddy Care

Your Joey Companion Caddy normally requires a minimum amount of maintenance, however the following points are worth noting:

CLEANING - To remove marks and enhance the surface, wipe over with a general purpose cleaner.

CAUTION - Do not use ammonia based cleaning agents. Do not use harsh chemicals or abrasive cleaners. The surface can be wiped with a damp cloth but should be dried quickly.












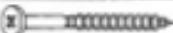




If you have missing or damaged parts please call Kangaroo Cabinets at 1-800-533-7347




or email us a: cs@kangarookabinets.com

Also visit our website: www.kangarookabinets.com

Kangaroo Cabinets is a product
of Arrow Sewing Cabinets

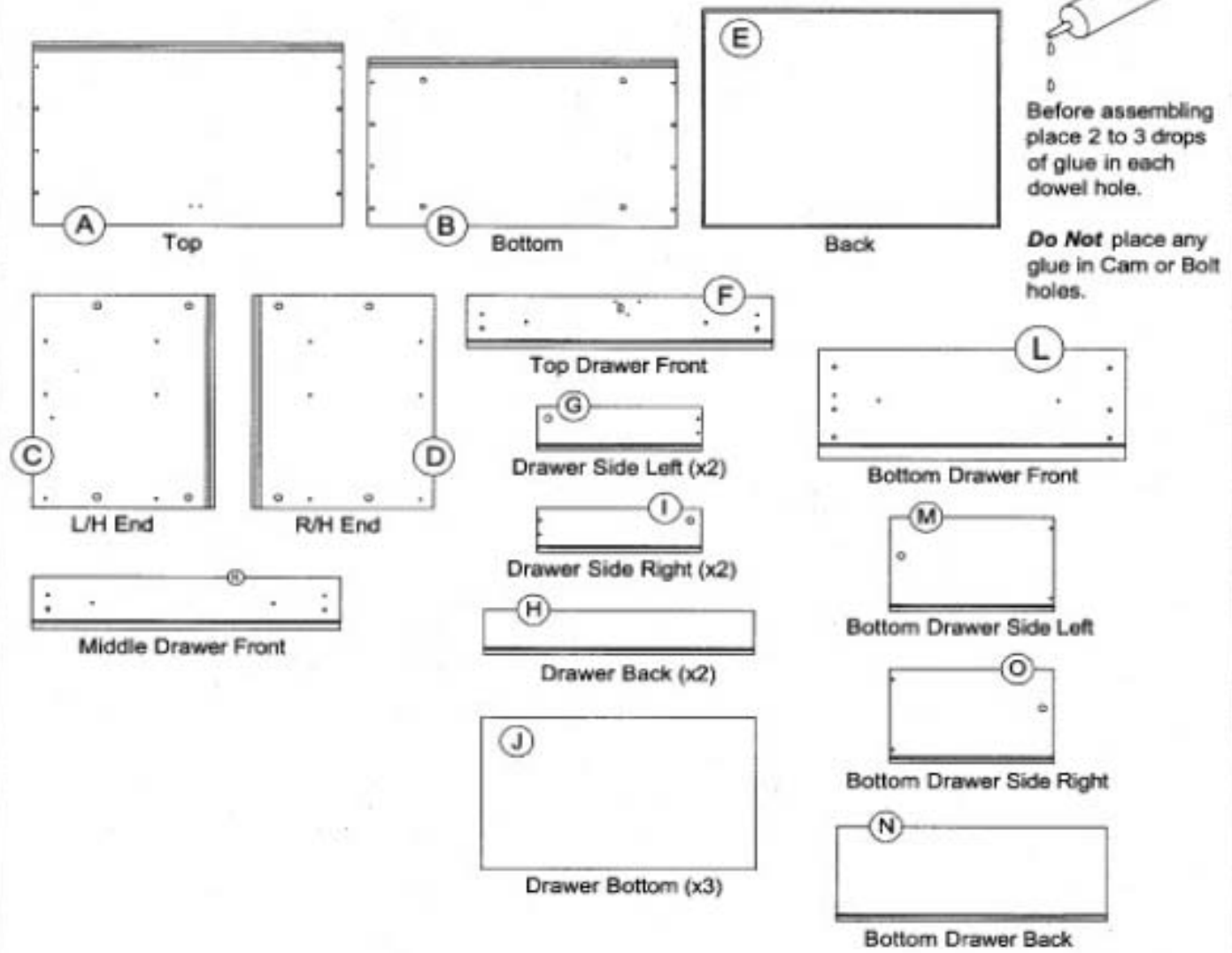
Joey Assembly Instructions

COMPONENTS	DESCRIPTION	QTY
	Cam Bolt 24mm	8
	Cam 15 x 12mm	8
	Dowel 8 x 30mm	18
A 	(A) Screw 3.4 x 15mm	2
E 	(E) Screw 3 x 25mm	3
F 	(F) Screw 4 x 16mm	12
	Caster Washer	4
	Extension Caster	4
	Caster Wrench	1
	Cam Bolt	6
	Cam 15 x 10mm	6
	Screw 4 x 32mm	12
	Drawer Runners*	3 sets
	Button Handle + Screw	6
	Glue Bottle	2
	Stabilizer Wedge	6

COMPONENTS	DESCRIPTION	QTY
	Key Hole	1
	Lock & Key	1
	Lock Striker	1

*Excludes pre-attached Drawer Runners on Drawer Sides

Joey Storage Cabinet panels and their descriptions



Before assembling place 2 to 3 drops of glue in each dowel hole.

Do Not place any glue in Cam or Bolt holes.



Lock Striker

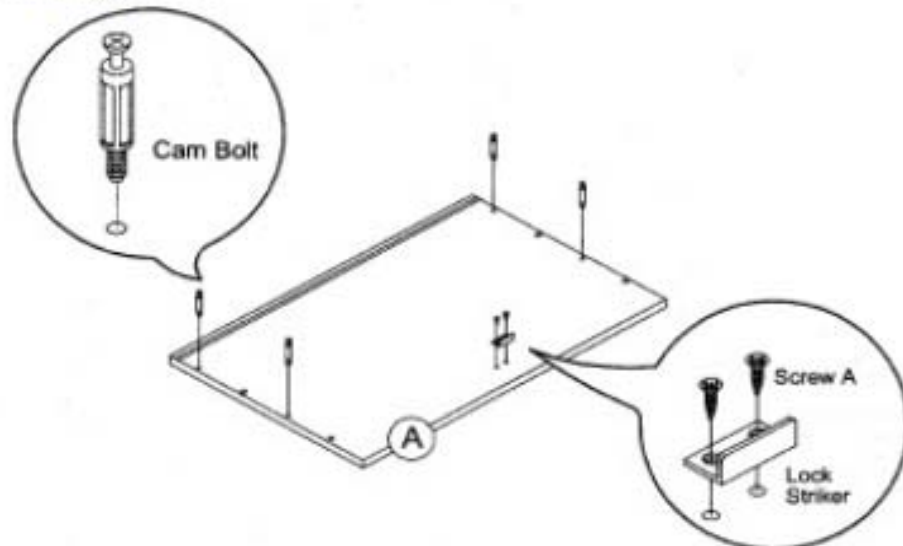


(A) Screw x 2



Cam Bolt 24mm x 4

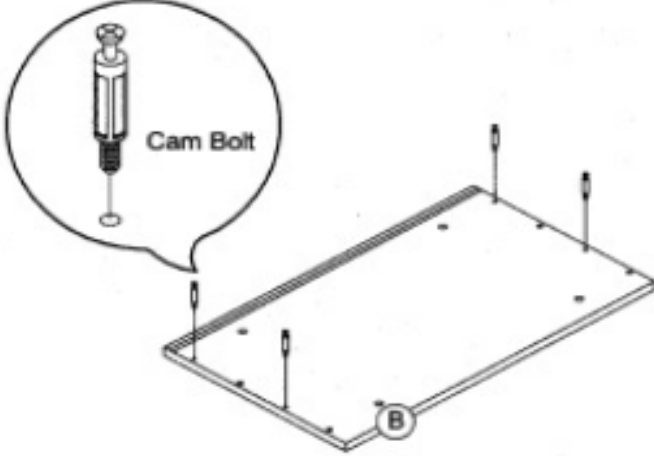

Step 1: Gather Top Panel (A). Screw Cam Bolts into Panel (A) as shown. Attach the Lock Striker using 2 (A) Screws.






Cam Bolt 24mm x 4


Step 2: Gather Bottom Panel (B). Screw Cam Bolts into Panel (B) as shown.


Dowel x 4



Cam 15 x 12mm x 4



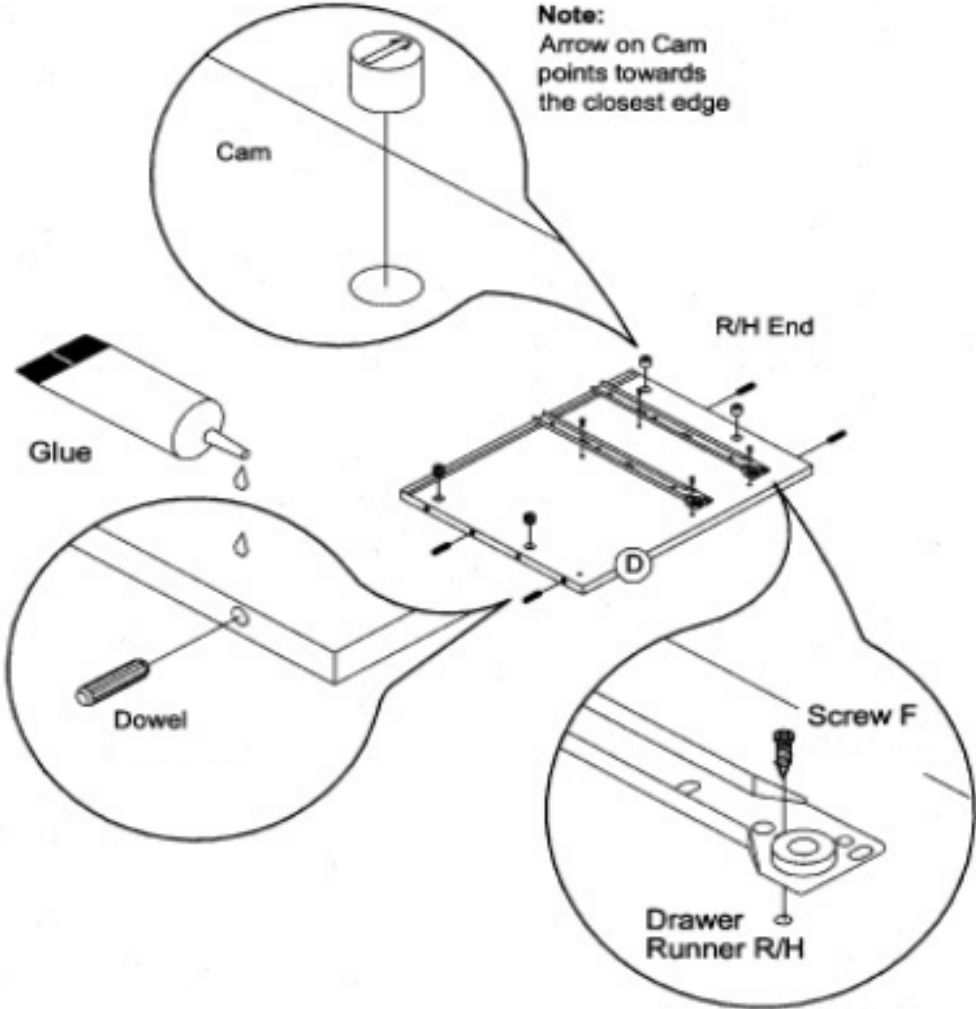
Right Drawer Runners x 2



(F) Screw x 4

Step 3: Gather R/H End Panel (D). Place 2 to 3 drops of glue into each dowel hole on the edge of Panel (D) and insert 4 Dowels. Insert Cams ensuring the arrow points toward the closest edge. Attach Right Drawer Runners to Panel (D) using 4 (F) Screws.

Note:
Arrow on Cam points towards the closest edge



Step 4: Gather L/H End Panel (C). Place 2 to 3 drops of glue into each dowel hole on the edge of Panel (C) and insert 4 Dowels. Insert Cams as shown. Attach Left Drawer Runners using 4 (F) Screws



Dowel x 4



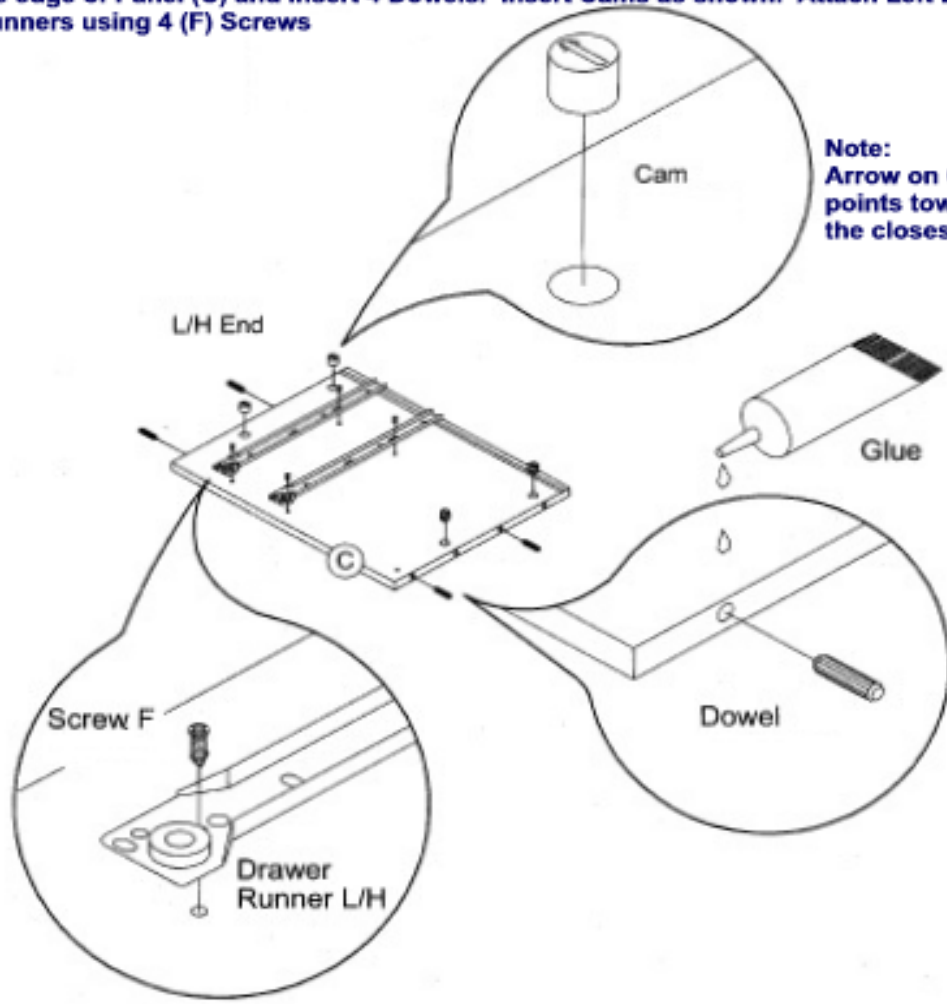
Cam 15 x 12mm x 4



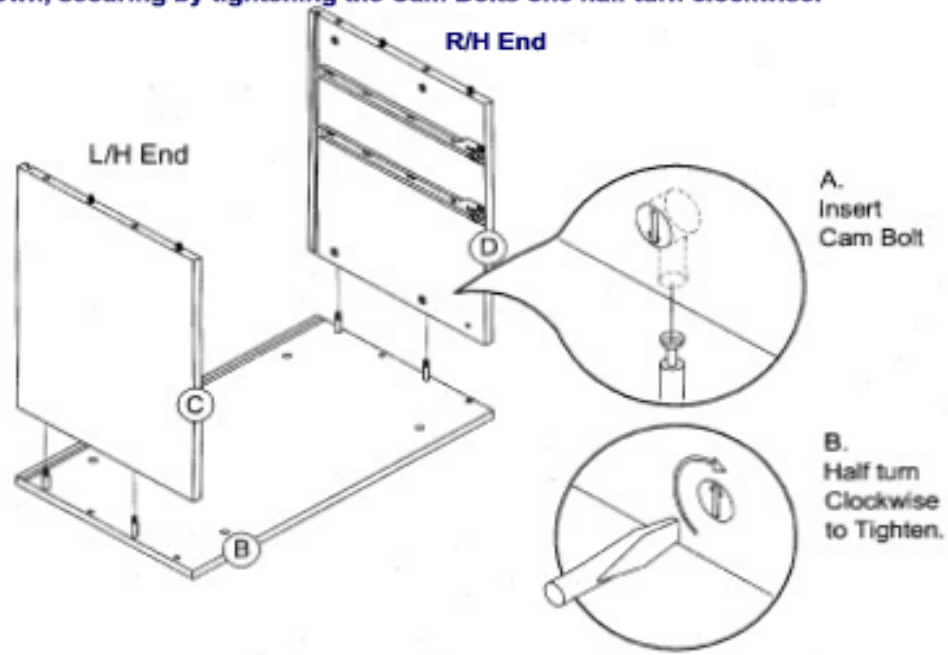
Left Drawer Runner x 2



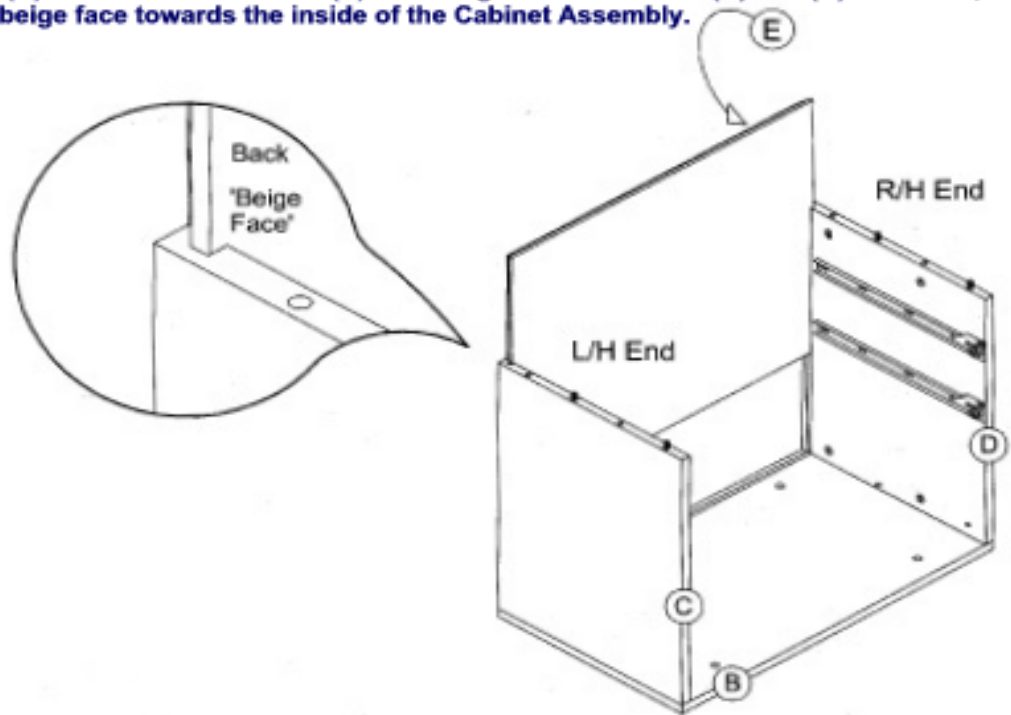
(F) Screw x 4



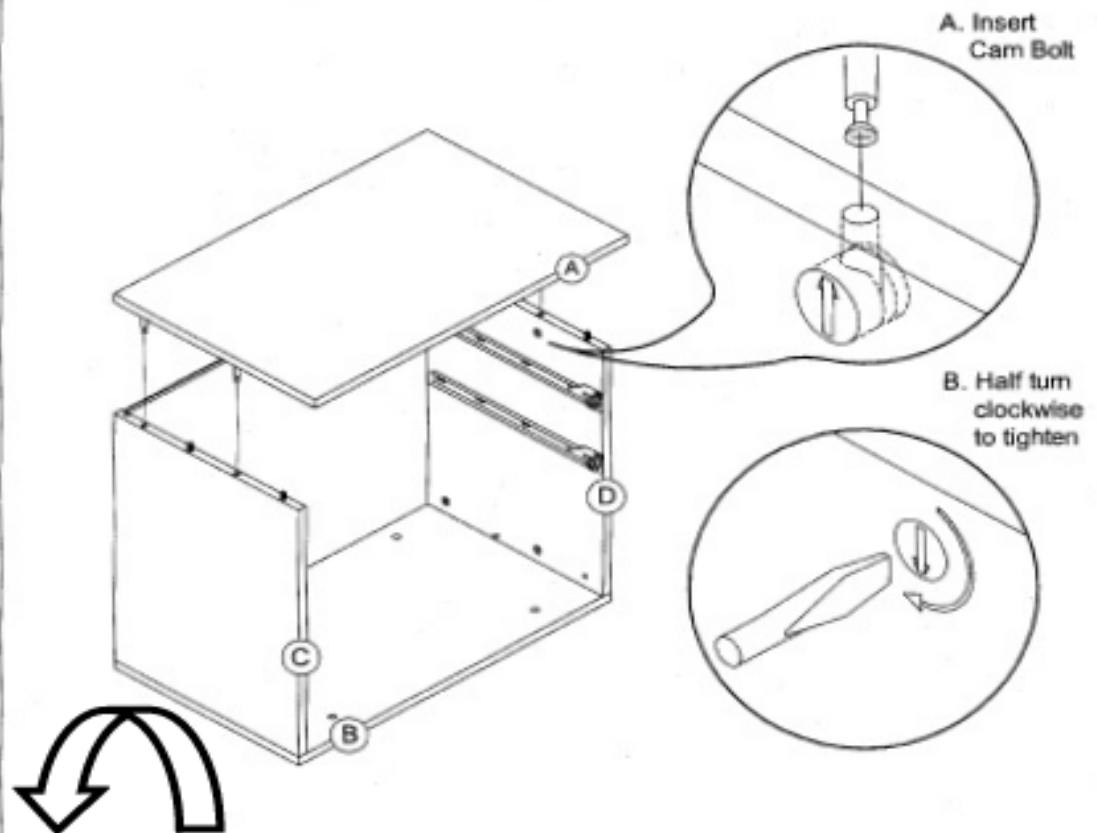
Step 5: Place Glue in Dowel holes on Panel (B). Attach Panel (C) and (D) to Panel (B) as shown, securing by tightening the Cam Bolts one half turn clockwise.



Step 6: Gather Back Panel (E). Apply a small bead of Glue to the grooves on Panels (C) and (D). Slide the Back Panel (E) into the grooves of Panels (C) and (D) as shown, with the beige face towards the inside of the Cabinet Assembly.



Step 7: Gather Top Panel (A). Place 2 to 3 drops of Glue in the Dowel holes in Panel (A) and attach Panel (A) to Cabinet Assembly as shown. Secure the Top by turning Cams clockwise one half turn. With the help of two people rotate the Cabinet over onto its top.



Step 8: Guide the Extension Casters through the Caster Washers and screw into holes provided as shown, use the Caster Wrench to tighten. Rotate Chest back upright using 2 people.

Extension Caster x 4
Caster Washer

Step 9: Attach Drawer Runners to inside and bottom of the Cabinet sides using 4 (F) Screws as shown.

Drawer Runners x 1 set
(F) Screw x 4

Step 10: Gather Top Drawer Front (F). Screw Cam Bolts into the Drawer Front as shown. Attach the Lock using 3 (E) Screws. Add Glue to edge of Key Hole and press fit into hole as shown.

Cam Bolt x 2
(E) Screw x 3
Key Hole

Step 11: Gather Parts (G), (I) and (K). Place Glue in each Dowel hole in the Drawer Sides and insert 4 Dowels. Insert Cams into the Drawer Sides as shown. Screw in Cam Bolts into the Middle Drawer Front (K).

Cam 15 x 10mm x 4
Dowel x 4
Cam Bolt x 2

Note: Arrow on Cam points towards the closest edge

Step 12: Gather parts (J) and (F). Attach Drawer side (G) and (I) to Drawer Back (H) using (4) 4 x 32mm Screws as shown. Slide the Drawer Bottom (J) into Drawer Side grooves as shown. Place glue into Dowel Holes in Drawer Front (F), then attach Front (F) to Drawer Sides (G) and (I), secure Cams. Attach the Drawer Handles as shown.


Screw 4 x 32mm x 4
Stabilizer Wedge x 2
Button Handle x 2
Handle Screw x 2

1. Insert Cam Bolt
 2. Half turn clockwise to tighten

Turn Drawer over, attach Drawer Stabilizers in the middle of the Drawer Back and press firmly into the groove. Then screw into place. Repeat into the Drawer Front as shown.

Note: Do not screw in the Stabilizers too tight. Plastic may crack if over tightened.

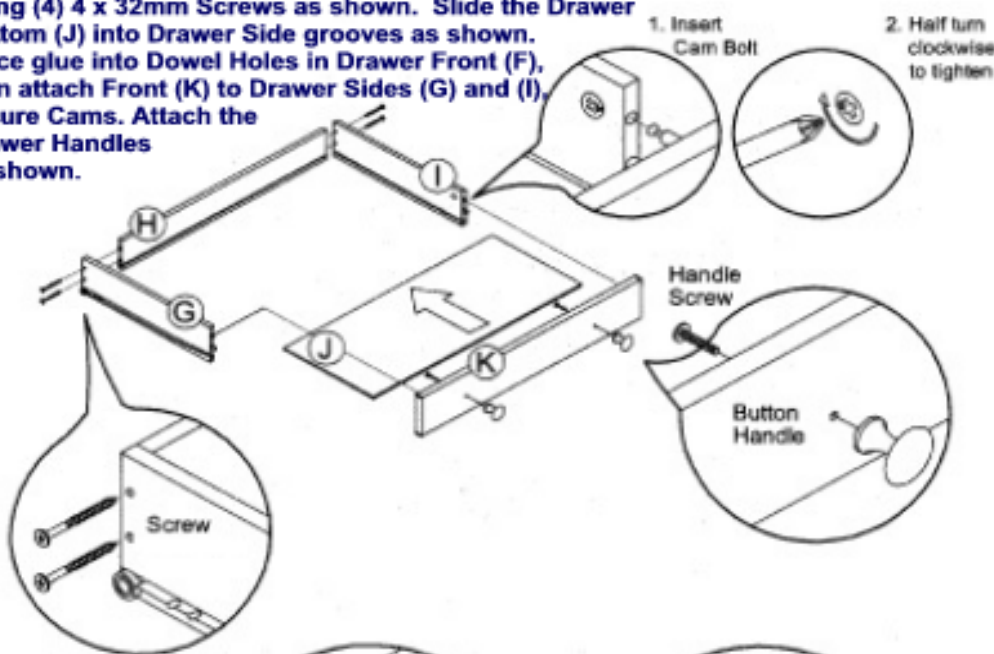
Step 13: Gather parts (J) and (K). Attach Drawer side (G) and (I) to Drawer Back (H) using (4) 4 x 32mm Screws as shown. Slide the Drawer Bottom (J) into Drawer Side grooves as shown. Place glue into Dowel Holes in Drawer Front (F), then attach Front (K) to Drawer Sides (G) and (I), secure Cams. Attach the Drawer Handles as shown.

 Screw 4 x 32mm x 4

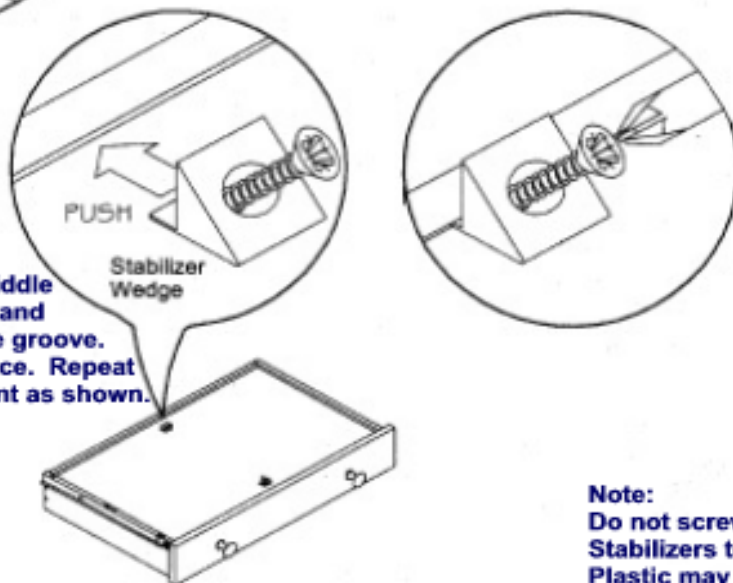
 Stabilizer Wedge x 2

 Button Handle x 2

 Handle Screw x 2



Turn Drawer over, attach Drawer Stabilizers in the middle of the Drawer Back and press firmly into the groove. Then screw into place. Repeat into the Drawer Front as shown.



Note:
Do not screw in the Stabilizers too tight. Plastic may crack if over tightened.

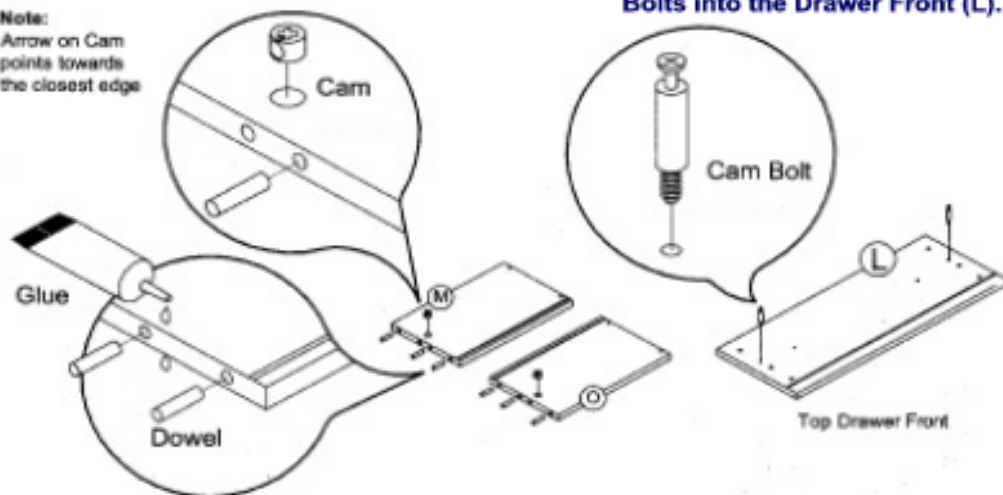
 Cam 15 x 10mm x 2

 Dowel x 6

 Cam Bolt x 2

Step 14: Gather parts (M), (O) and (L). Place glue in each Dowel hole in the Drawer Sides and insert 6 Dowels. Insert 2 Cams into Drawer Sides as shown. Screw 2 Cam Bolts into the Drawer Front (L).

Note:
Arrow on Cam points towards the closest edge



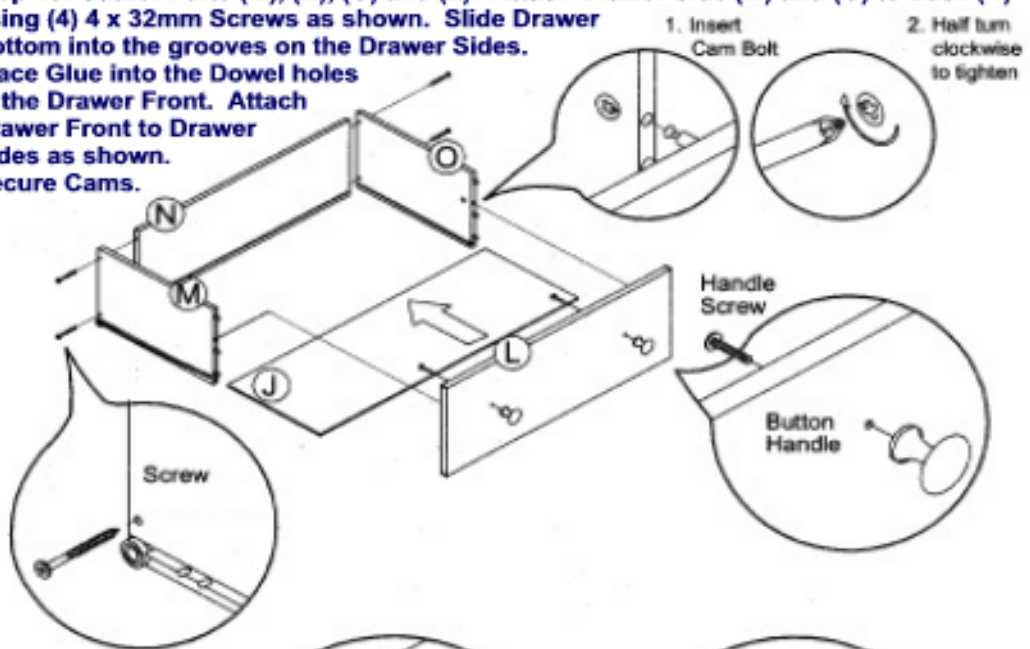
 Screw 4 x 32mm x 4

 Stabilizer Wedge x 2

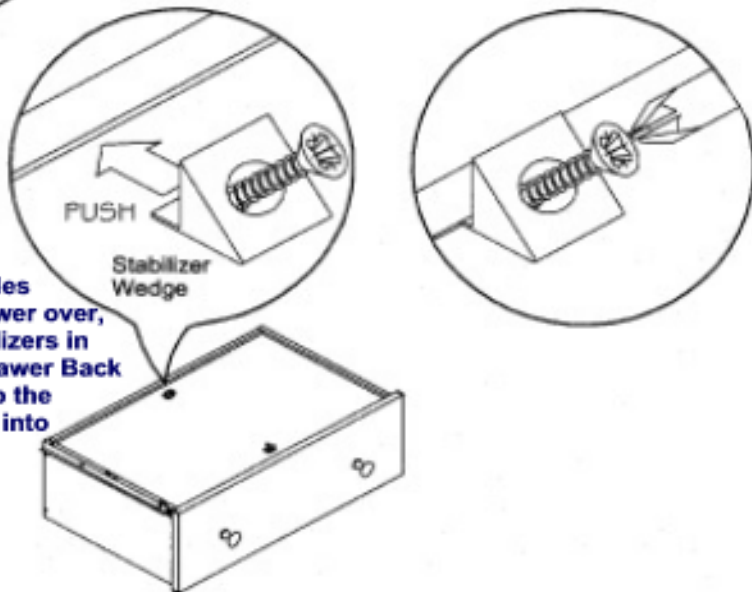
 Button Handle x 2

 Handle Screw x 2

Step 15: Gather Parts (M), (N), (O) and (L). Attach Drawer Side (M) and (O) to Back (N) using (4) 4 x 32mm Screws as shown. Slide Drawer Bottom into the grooves on the Drawer Sides. Place Glue into the Dowel holes in the Drawer Front. Attach Drawer Front to Drawer Sides as shown. Secure Cams.



Attach Button Handles as shown. Turn Drawer over, attach Drawer Stabilizers in the middle of the Drawer Back and press firmly into the groove. Then screw into place. Repeat into the Drawer Front as shown.



Step 16: Insert Drawers onto the runners in the Cabinet. Ensure the Locking Drawer is positioned to the top and the large Drawer is on the Bottom Runners. Lock the Top Drawer to make moving easier.

