



Dingo Assembly Instructions



*Accessories not included

Dingo Cutting Table

Congratulations on the purchase of your new Dingo Cutting Table. Every effort has been taken to ensure your complete satisfaction with this custom designed product. For your convenience the Dingo Cutting Table is supplied in four ready to assemble packs

Helpful Assembly Hints

Read the instructions carefully before starting. Check to see that all the parts are included. Work in a spacious area preferably on a carpet or soft surface. You will need a phillips head and flat head screw driver for the assembly. A cordless drill is preferable. Ensure the phillips head screwdriver fits neatly and fully engages the screw head. Failure to do this may result in screw damage. Make sure you tighten all the screws securely and tap dowels all the way in.

Warranty Information

G-day mate! We warranty our product for 1 year from date of shipment for manufacturer's defects or shipping damage within the first 15 days. The warranty does not cover damage caused by abuse, mis-use, alteration, accident, or neglect of the product. The warranty does not cover damage caused by moving the cabinet fully loaded. Under the terms of this warranty the repair and replacement of any parts shall be at the discretion of the company or their designated representative.

Replacement Part Shipping Policy

To help protect our valuable resources, we ship all replacement parts out at the same time. This procedure lessens the use of packaging materials and fossil fuels used in transportation keeping our world for all kangaroos and the people like you a cleaner place. Please help us in this endeavor by reviewing all parts in all boxes for damage before calling or e-mailing us to report damage. We adhere to our environmental philosophy by only shipping replacement parts out 1 time for free. Future parts requests will be billed at the customer's expense.

Cabinet Care

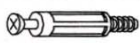



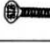





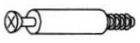

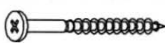




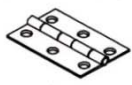

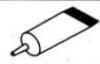
Your Dingo Cutting Table normally requires a minimum amount of maintenance, however the following points are worth noting:







CLEANING - To remove marks and enhance the surface, wipe over with a general purpose cleaner.

CAUTION - Do not use ammonia based cleaning agents. Do not use harsh chemicals or abrasive cleaners. The surface can be wiped with a damp cloth but should be dried quickly.

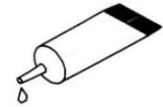
If you have missing or damaged parts please call Kangaroo Kabinets at 1-800-533-7347
or email us a: cs@kangarookabinets.com
Also visit our website: www.kangarookabinets.com

Dingo Assembly Instructions

Components	Description	Qty
	Cam Bolt 24mm Threaded	12
	Cam 15 x 12mm	12
	Dowel 8 x 30mm	44
A 	Screw 3.4 x 15mm C/S	56
D 	Screw 3.5 x 18mm C/S	4
E 	Screw 3 x 25mm C/S	6
F 	Screw 6 x 10mm C/S	36
H 	Hinge Screw 6 x 15mm	12
	Hinge Mounting Plate	6
	Hinge <i>Note: Hinge & Mounting Plate may be supplied together. Please separate before assembly.</i>	6
	Bow Handle & Screws	2
	Caster Washer	6
	Cam Bolt 24mm	20
	Cam 15x10mm	20
	Screw 4 x 32mm	38
	Caster Wrench	1
	Caster 50mm	6
	Caster 50mm Locking	2
	Caster Bracket	2
	Butt Hinge 50mm	4
	Drawer Runner 400mm*	9 Sets
	Glue Bottle	3

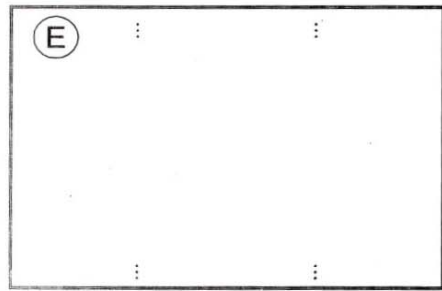
Components	Description	Qty
	Button (Gate Leg)	2
	Ramp	2
	Lock Striker	2
	Equalizer	2
	Lock & Key	2
	Key Hole	2

Dingo panels and their descriptions

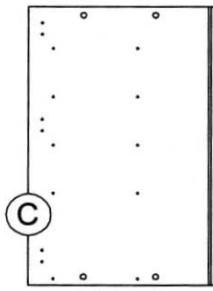


Before assembling place 2 to 3 drops of glue in each dowel hole.

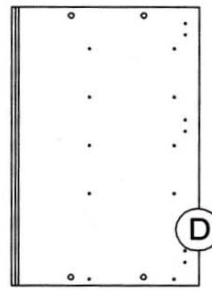
Do Not place glue in Cam or Cam Bolt holes.



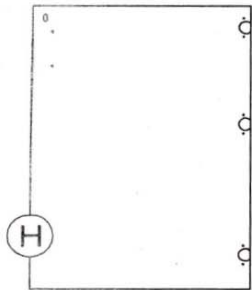
Back



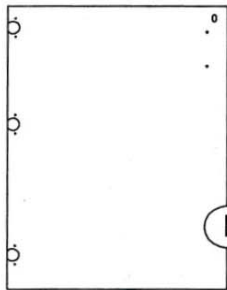
L/H End



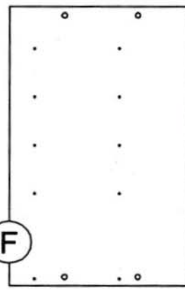
R/H End



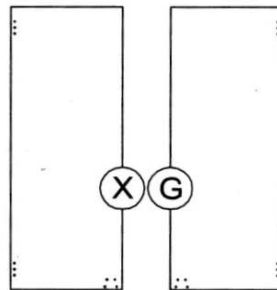
L/H Door



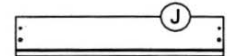
R/H Door



Division



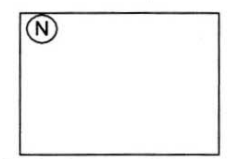
Gate Leg Right Gate Leg Left



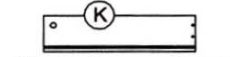
Single Drawer Front



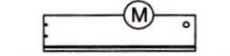
Single Drawer Back



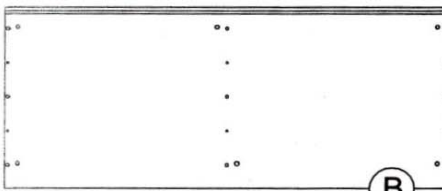
Single Drawer Bottom



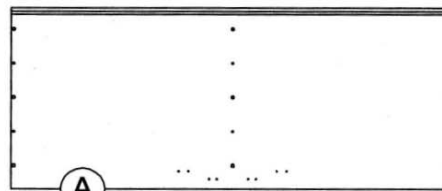
Single Drawer Side L/H



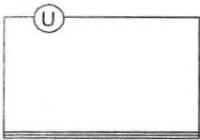
Single Drawer Side R/H



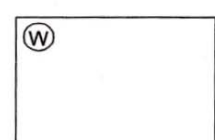
Bottom



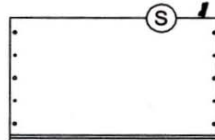
Top/Flap Assembly



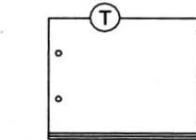
Triple Drawer Back



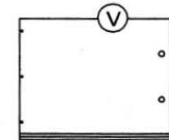
Triple Drawer Bottom



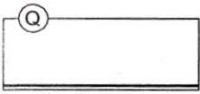
Triple Drawer Front



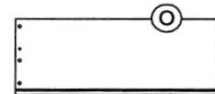
Triple Drawer Side L/H



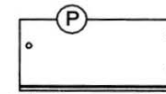
Triple Drawer Side R/H



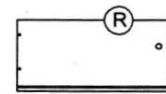
Double Drawer Back



Double Drawer Front



Double Drawer Side L/H



Double Drawer Side R/H



Cam Bolt 24mm (x6)



Ramp (X2)



Lock Striker (x2)



Screw A 3.4 x 15mm (x4)

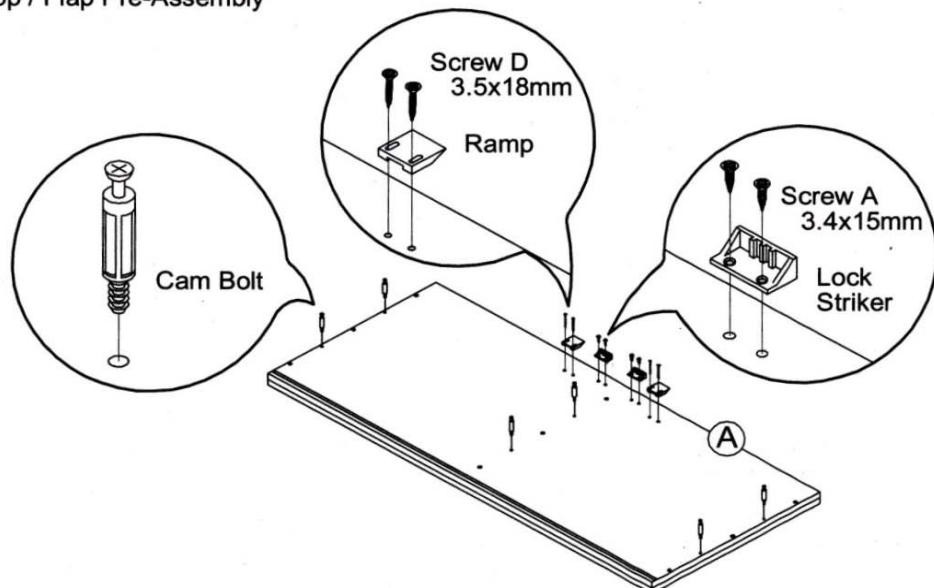


Screw D 3.5 x 18mm (x4)

Assembly Steps

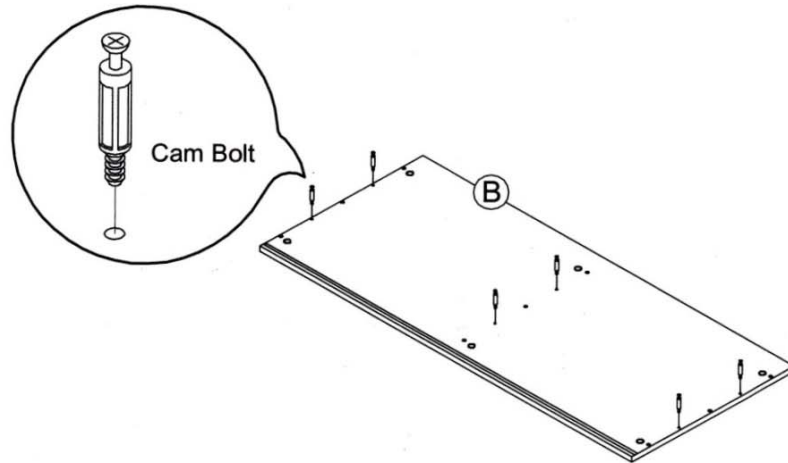
1. Screw the Cam Bolts into the Top Panel as shown.
2. Fix the Ramps to the top using Screw D 3.5x18mm
3. Fix the Lock Strikers to the Top Panel using Screw A 3.4 x 15mm

1. Top / Flap Pre-Assembly



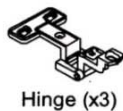


2. Bottom Pre-Assembly

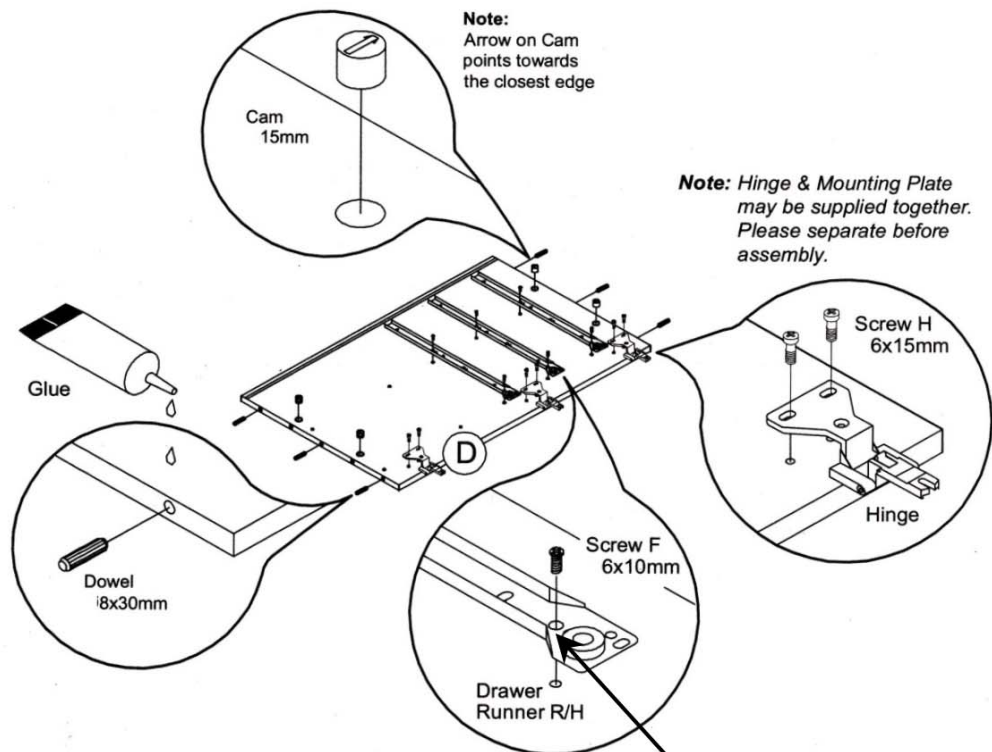


Assembly Steps

1. Screw the Cam Bolts into the Bottom Panel as shown.



3. Right Hand End Pre-Assembly



Assembly Steps

1. Place 2 to 3 drops of Glue into the Dowel holes in the Right Hand End & insert Dowels.
2. Fix the Hinges using Screw H 6 x 15mm
3. Press fit Cams into the Ends. Ensure the arrow on the Cam points to the closest edge.
4. Position and secure Runners using Screw F 6x10mm

Note: Do not put glue in Cam Bolt holes.

Note: Screw F should be screwed in to the first hole after the guide wheel.

4. Left Hand End Pre-Assembly

Dowel 8x30mm (x6)

Cam 15x12mm (x4)

L/H Drawer Runner 400mm

Screw F 6x10mm (x8)

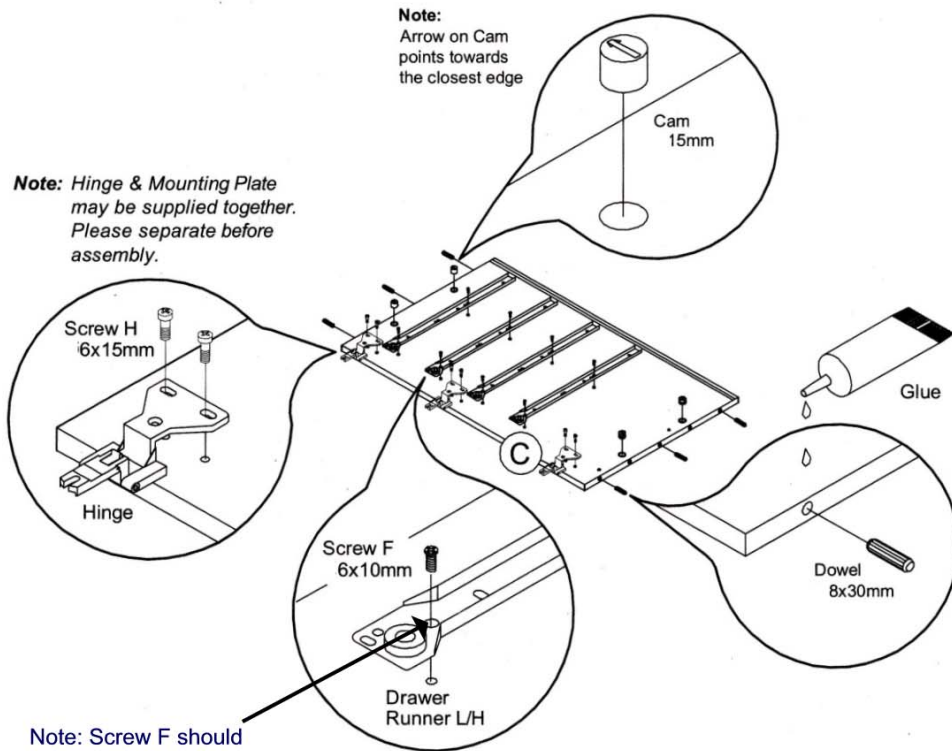
Hinge (x3)

Screw H 6x15mm (x6)

Assembly Steps

1. Place 2 to 3 drops of Glue into the Dowel holes in the Left Hand End & insert Dowels.
2. Fix the Hinges using Screw H 6 x 15mm
3. Press fit Cams into the Ends. Ensure the arrow on the Cam points to the closest edge.
4. Position and secure Runners using Screw F 6x10mm

Note: Do not put glue in Cam Bolt holes.



Note: Screw F should be screwed in to the first hole after the guide wheel.

5. Division Pre-Assembly

Dowel 8x30mm (x6)

Cam 15x12mm (x4)

L/H Drawer Runner 400mm

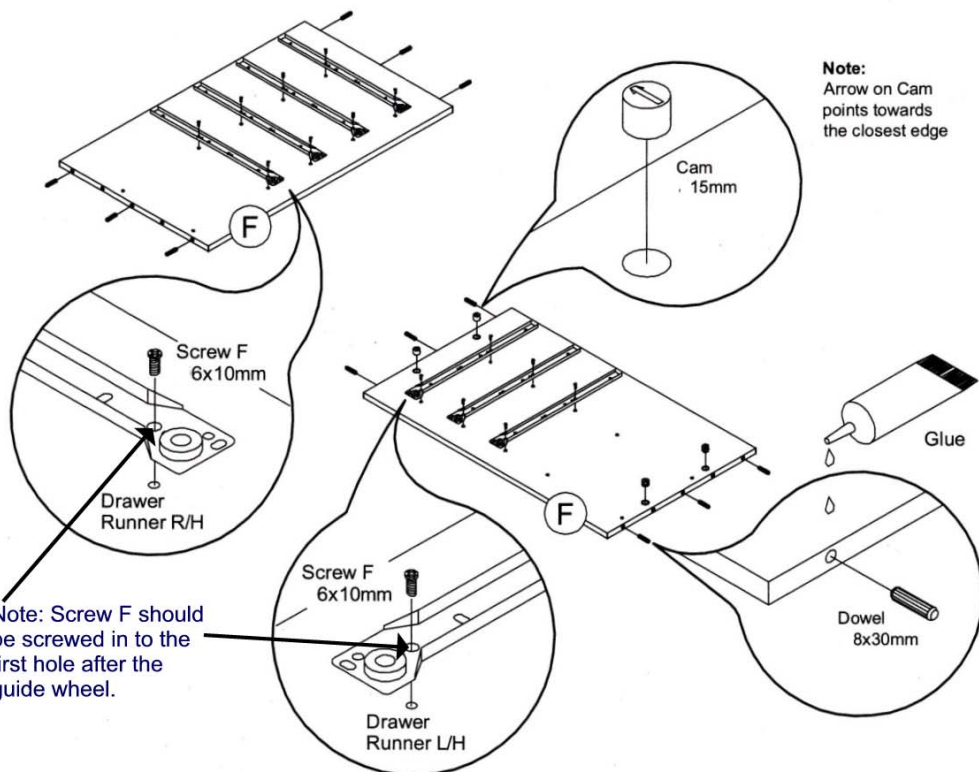
R/H Drawer Runner 400mm

Screw F 6x10mm (x14)

Assembly Steps

1. Place 2 to 3 drops of Glue into the Dowel holes in the Division & insert Dowels.
2. Press fit Cams into the Division. Ensure the arrow on the Cam points to the closest edge.
3. Position and secure Runners on the L/H side of the panel using Screw F 6x10mm
4. Position and secure Runners on the R/H side of the panel using Screw F 6x10mm

Note: Do not put glue in Cam Bolt holes.

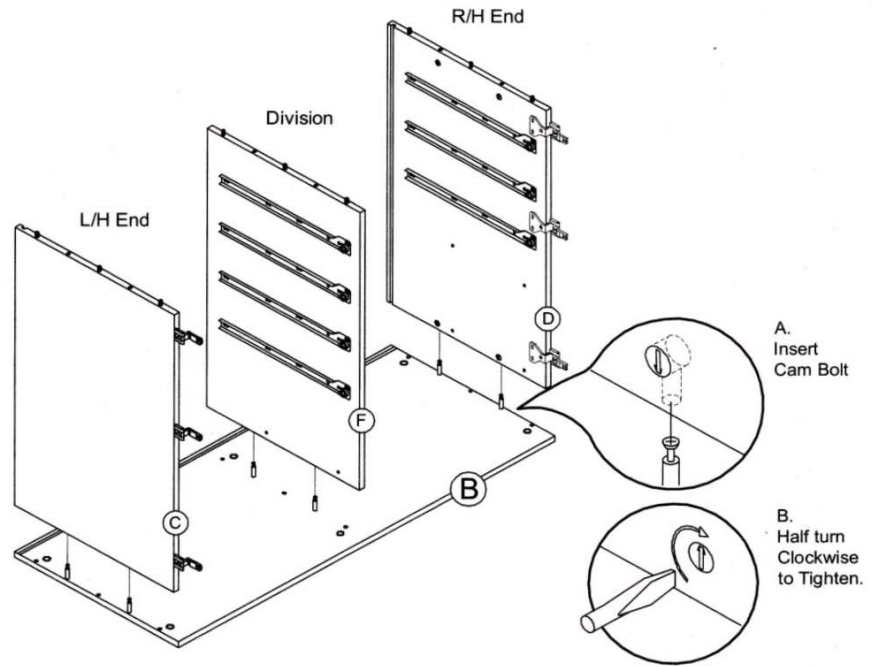


Note: Screw F should be screwed in to the first hole after the guide wheel.

6. Cabinet Assembly

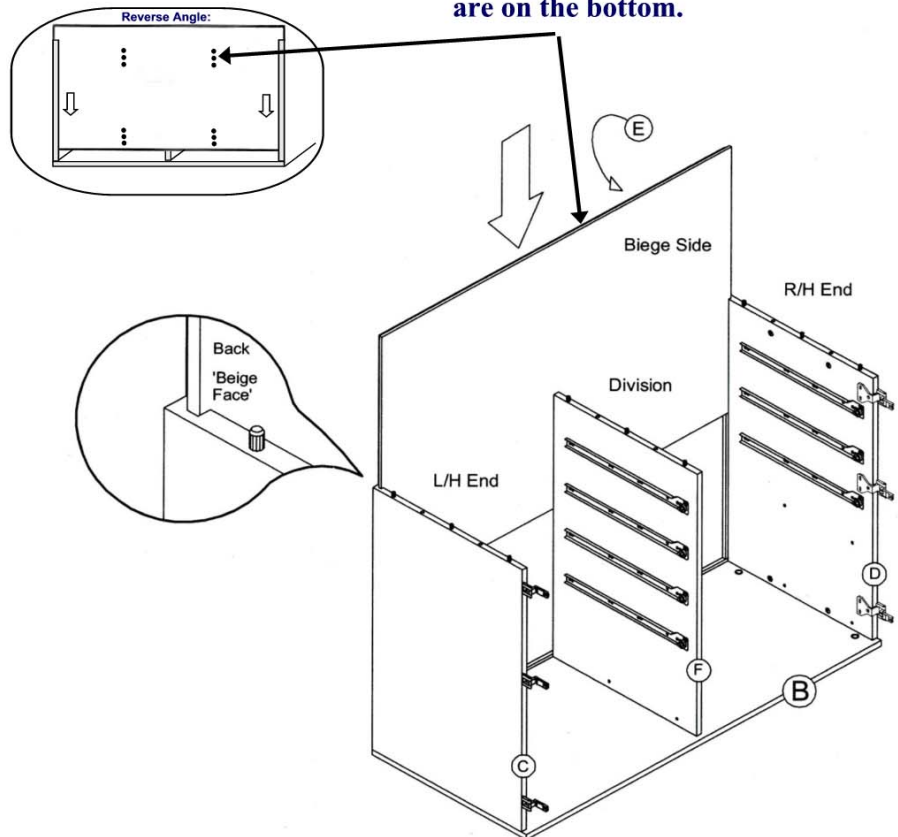
Assembly Steps

1. Place 2 to 3 drops of Glue into the dowel holes in the Bottom.
2. Position the Cam holes in the R/H End over the Cam Bolts in the Bottom and insert. Secure by turning the Cam a half turn clockwise.
3. Repeat for the Division and L/H End.



7. Cabinet Assembly

IMPORTANT:
On Back Panel E the holes on the top will be further from the edge than they are on the bottom.



Assembly Steps

1. Apply a small bead of Glue to the groove in the L/H, R/H Ends and Bottom.
2. Slide the Back into the groove in L/H & R/H Ends and Bottom

Note: With the Beige face to the inside of the cabinet

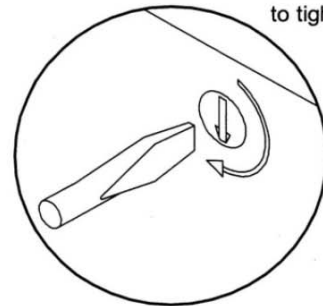
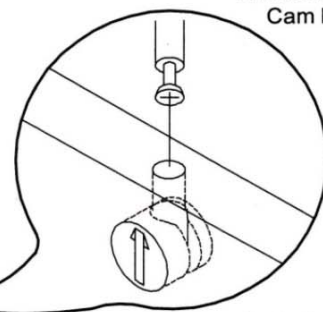
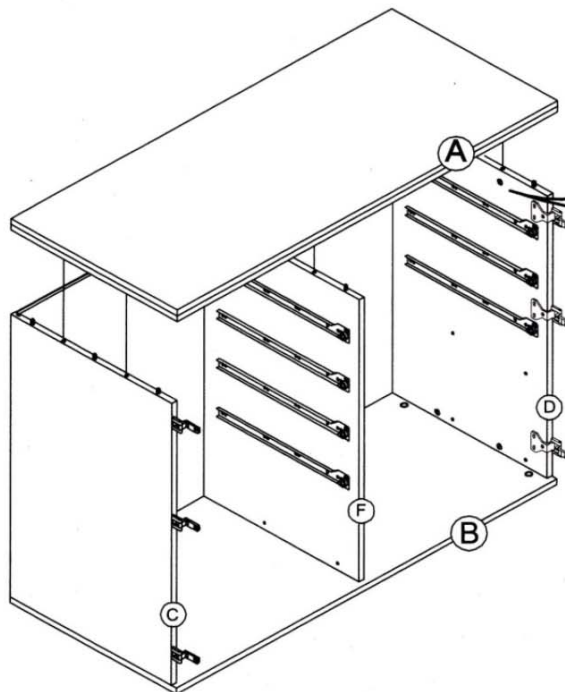
8. Cabinet Assembly

A. Insert Cam Bolt

B. Half turn clockwise to tighten

Assembly Steps

1. Place 2 to 3 drops of Glue in the Dowel holes in the Top Panel assembly.
2. Position the Cam Bolts in the Top Panel over the Cam holes in the Ends and Division and insert. Secure by turning the Cams a half turn clockwise.



9. Cabinet Assembly

L/H Drawer Runner (x2)

R/H Drawer Runner (x2)

Screw F 6x10mm C/S (x8)

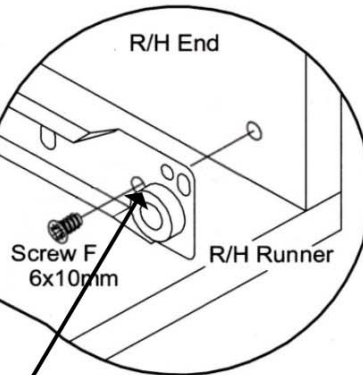
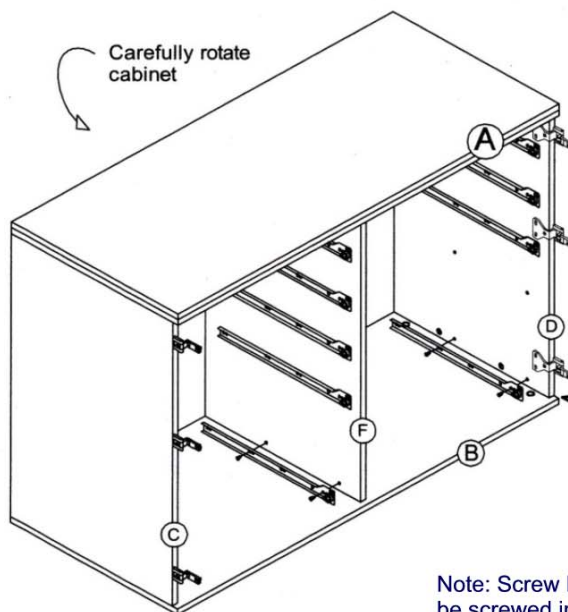
Assembly Steps

1. Fix R/H Drawer Runner to R/H End and L/H side of the Division & secure using Screw F 6x10mm
2. Fix L/H Drawer Runner to L/H End and R/H side of the Division and secure using Screw F 6x10mm
3. Rotate Cabinet onto its back and then top carefully.

Note:

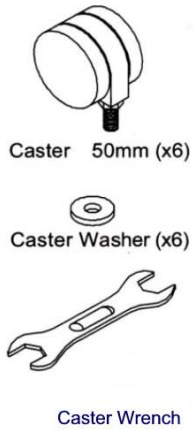
It will require 2 people to lift and rotate cabinet over onto its back and top.

Carefully rotate cabinet



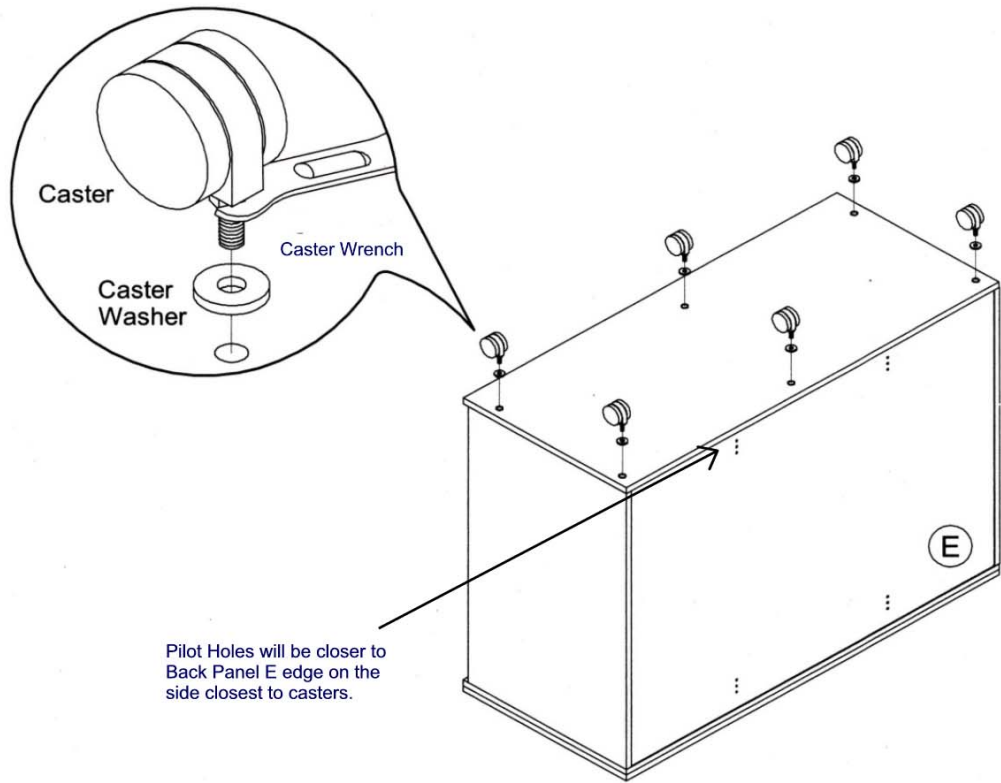
Note: Screw F should be screwed in to the first hole after the guide wheel.

10. Caster Assembly

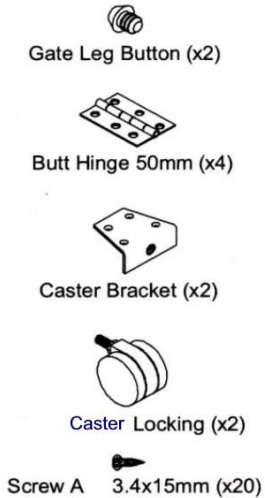


Assembly Steps

1. Place Caster Washers over the Caster thread and screw into the Bottom panel. Secure using the Spanner.

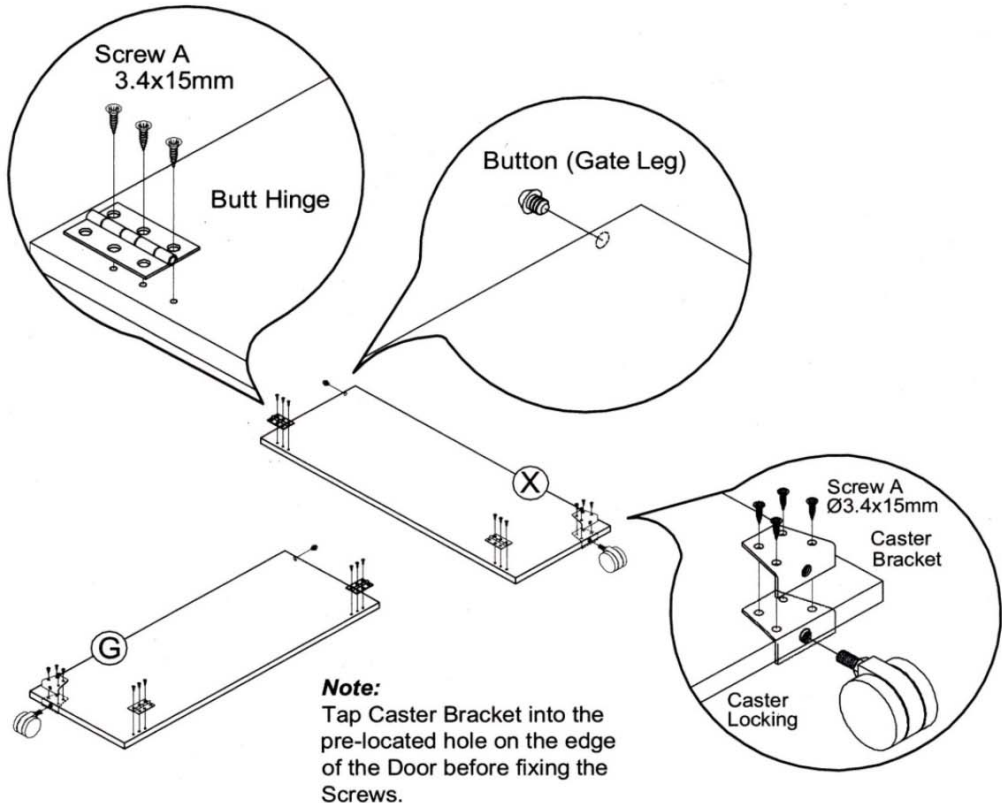


11. Gate Leg Assembly (x2)



Assembly Steps

1. Tap in Gate Leg Button
2. Screw the Butt Hinges onto the Gate Leg using Screw A 3.4 x 15mm
3. Locate and fit the Caster Bracket onto the Gate Leg and secure using Screw A 3.4 x 15mm
4. Screw Caster on and secure using Spanner provided.
5. Repeat for both L/H and R/h Gate Legs.



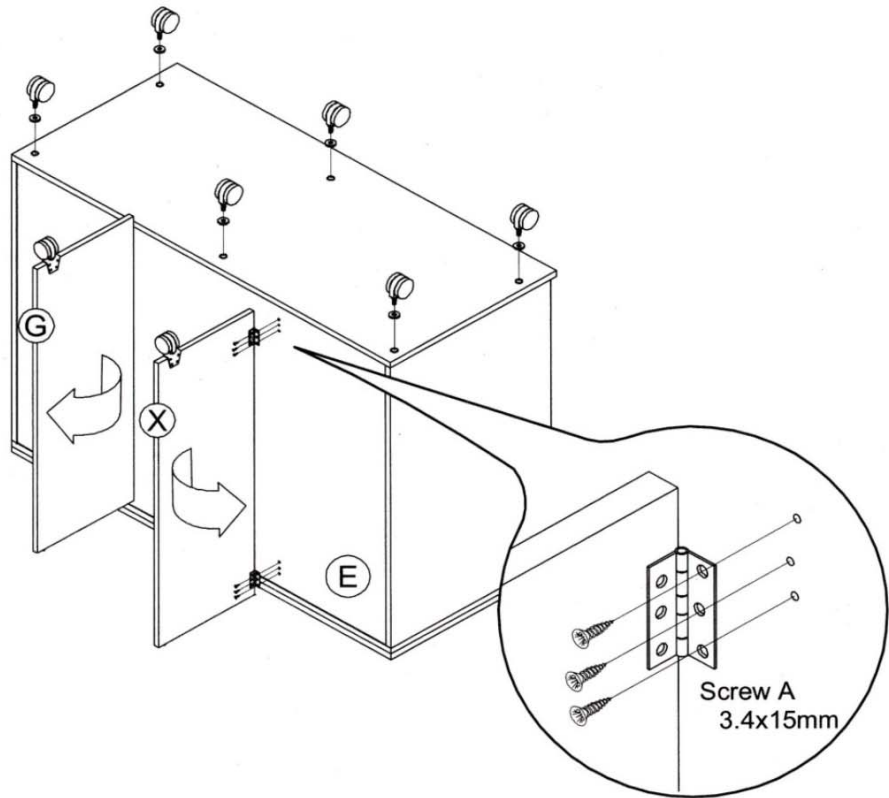
12. Gate Leg Assembly

 Screw A 3.4x15mm (x12)

Assembly Steps

1. Locate and fix the Gate Legs to the back of the Cabinet using Screw A 3.4x15mm
2. Swing the Gate Legs up against the back.
3. Roll Cabinet back over onto Castors Carefully

Note: It will require 2 people to lift and rotate Cabinet safely.




13. L/H & R/H Door Pre-Assembly

 Hinge Mounting Plate (x6)

 Escutcheon (x2)

 Equalizer (x2)

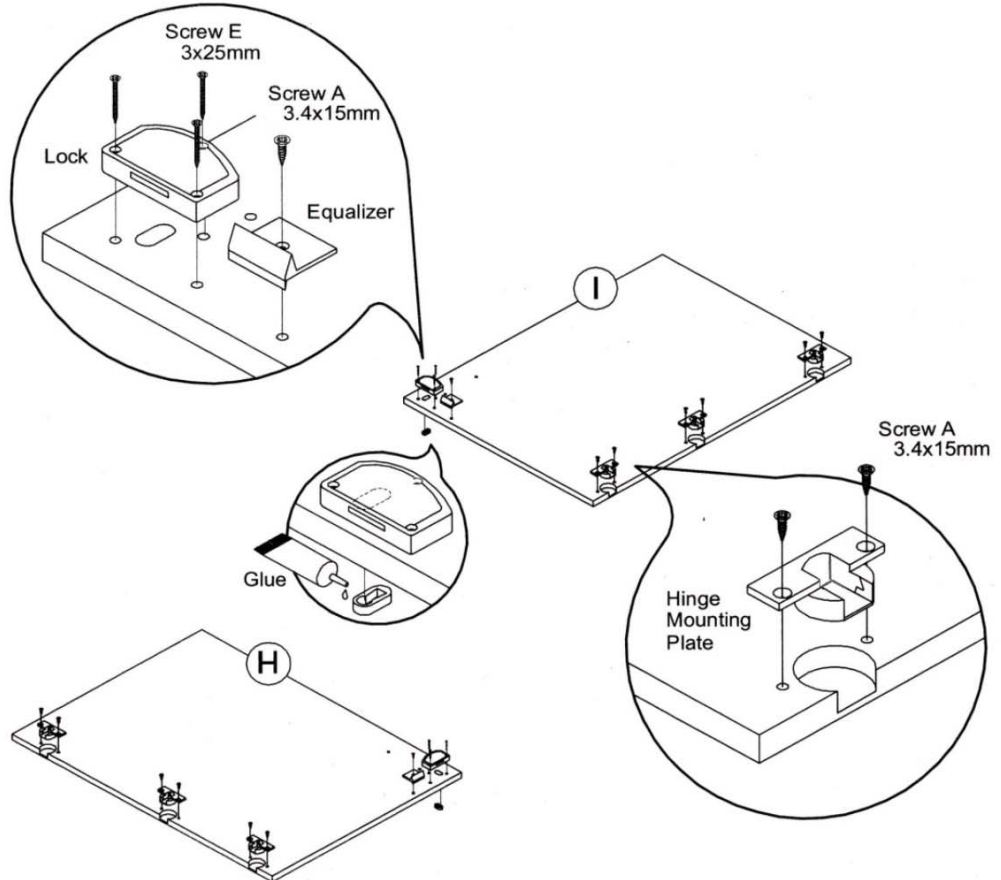
 Lock (x2)

 Screw E 3 x 25mm (x6)

 Screw A 3.4x15mm (x14)

Assembly Steps

1. Screw on Hinge Mounting Plate using Screw A 3.4x15mm C/S
2. Screw on Equalizer using Screw A 3.4x15mm C/S
3. Screw on Lock using Screw E 3x25mm C/S
4. Add a couple of drops of glue to the edge of the Escutcheon and press fit into the door.
5. Repeat for L/H Door



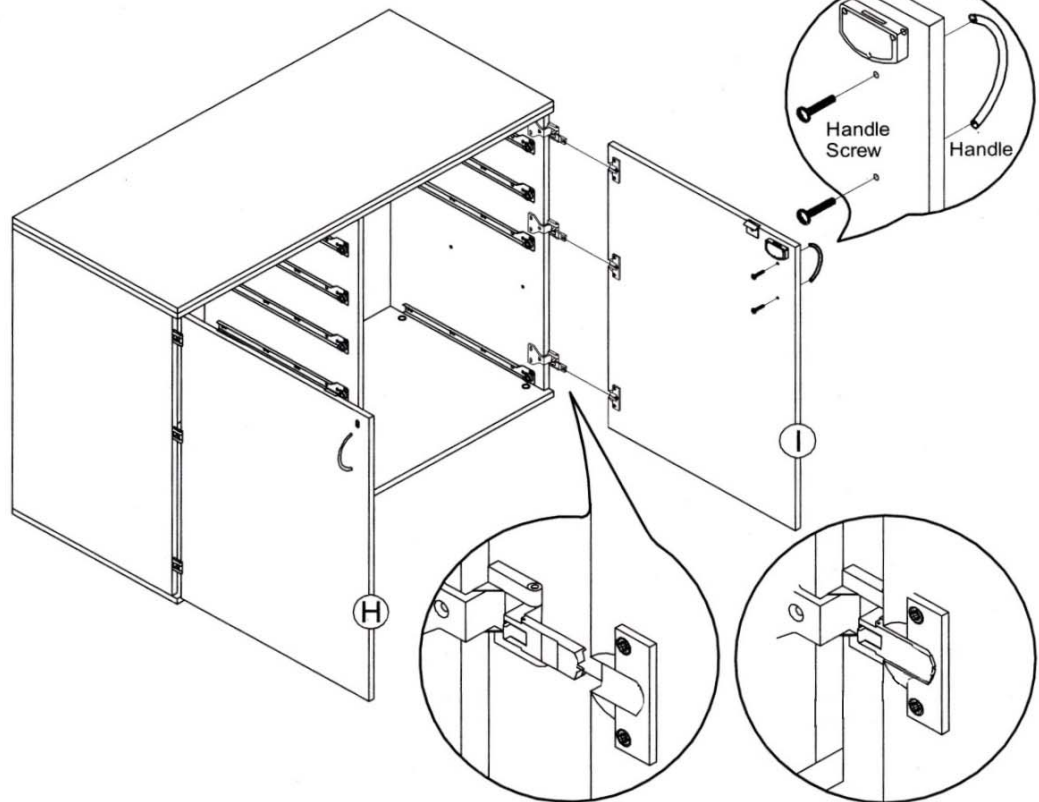
14. Door Assembly



Bow Handle (x2)



Handle Screw (x4)



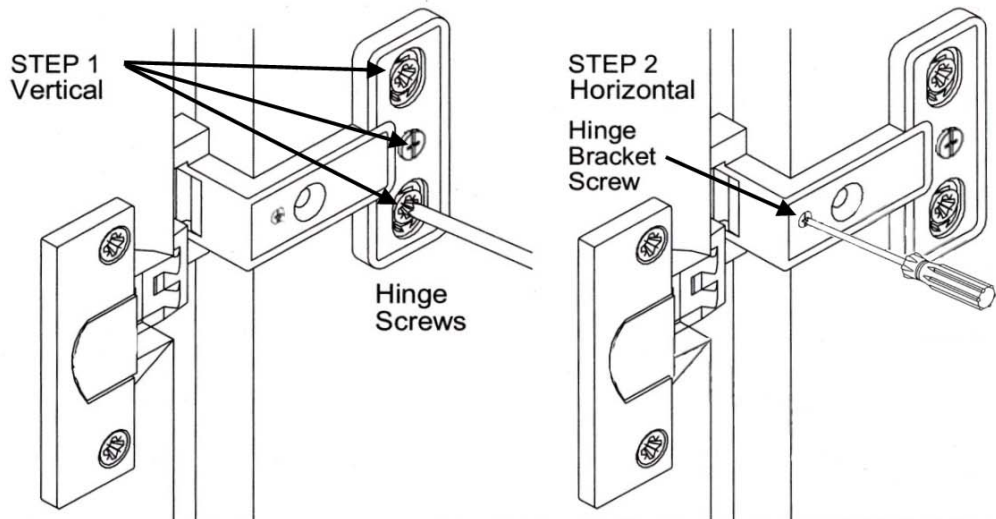
Assembly Steps

1. Locate and slide the Hinge onto the Hinge Plate Screw and tighten.
2. Repeat for other hinges.
3. Locate and secure Handles to the doors using the Handle Screws

15. Hinge Adjustment



Screw A 3.4x15mm (x6)



Hinge Adjustment Steps

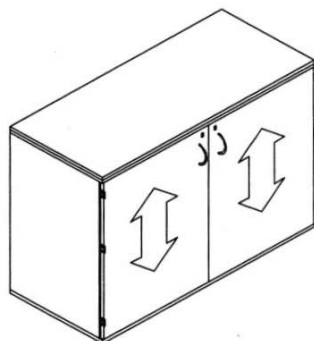
Vertical

1. Partially loosen the Hinge Screws on one Door.
2. Lift the Door until it is 2mm from the Top and re-tighten the Hinge Screws.

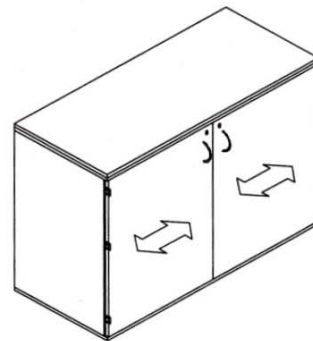
Horizontal

1. Partially loosen the Hinge Bracket screw/s on the Door.
2. Move the Door in or out to adjust. Making sure it is even with the the End when closed.
3. Re-tighten the Hinge Bracket Screws.
4. When Doors are adjusted fit Screw A 3.4x15mm C/S to secure Hinges.



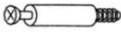
Vertical Adjustment



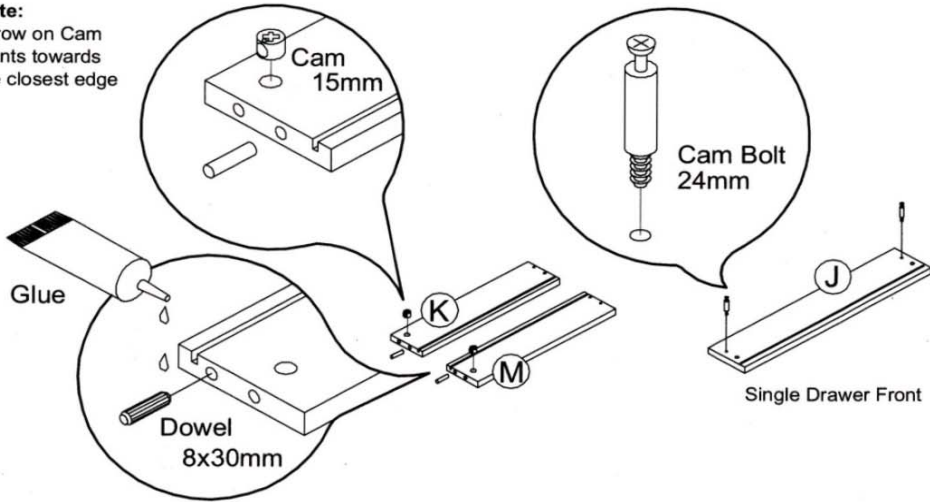
Horizontal Adjustment



16. Single Drawer Assembly (x7)

-  Cam 15x10mm (x14)
-  Dowel 8x30mm (x14)
-  Cam Bolt 24mm (x14)

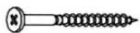
Note:
Arrow on Cam points towards the closest edge

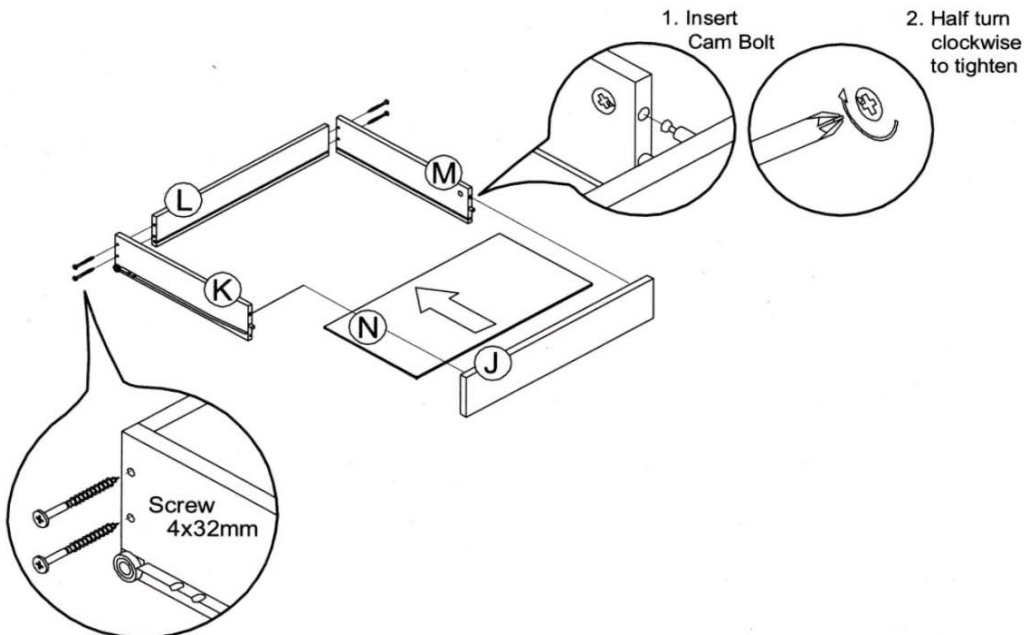


Assembly Steps

1. Place 2 to 3 drops of glue in each dowel hole in Drawer Sides and insert Dowels.
2. Insert Cams into the Drawer Sides ensuring the arrow points to the front edge.
3. Screw the Cam Bolts into the Drawer Front as shown.

17. Single Drawer Assembly (x7)

-  Screw 4x32mm (x28)



Assembly Steps

1. Secure the L/H & R/H Drawer Sides to the Drawer Back using Screw 4x32mm
2. Slide the Drawer Bottom into the Drawer Side groove.
3. Place 2 to 3 drops of glue into the dowel holes in Drawer Front. Then locate the Drawer Front on the Drawer Sides and secure by turning the Cams a half turn clockwise.

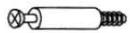
18. Double Drawer Assembly



Cam 15x10mm (x2)



Dowel 8x30mm (x6)

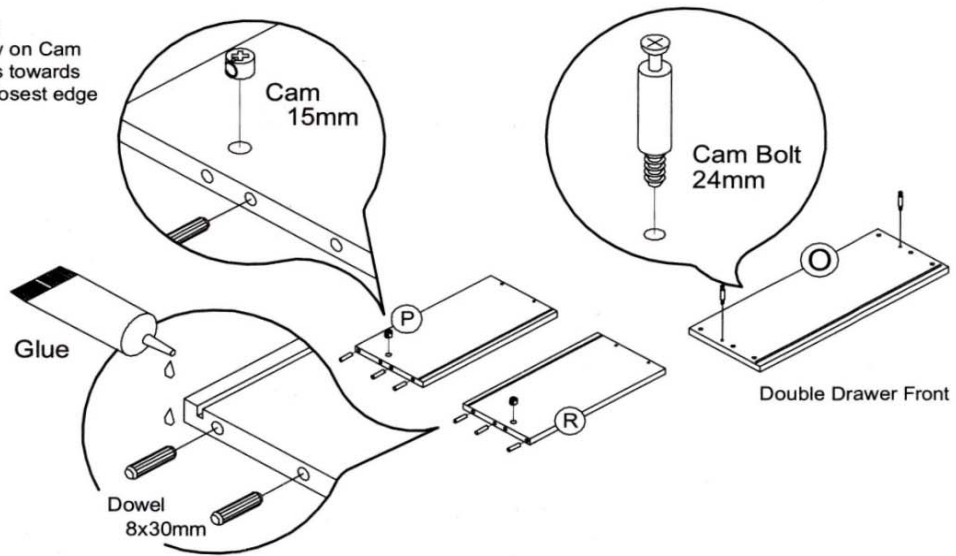


Cam Bolt 24mm (x2)

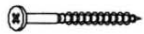
Assembly Steps

1. Place 2 to 3 drops of glue in each dowel hole in Drawer Sides and insert Dowels.
2. Insert Cams into the Drawer Sides ensuring the arrow points to the front edge.
3. Screw the Cam Bolts into the Drawer Front as shown.

Note:
Arrow on Cam points towards the closest edge



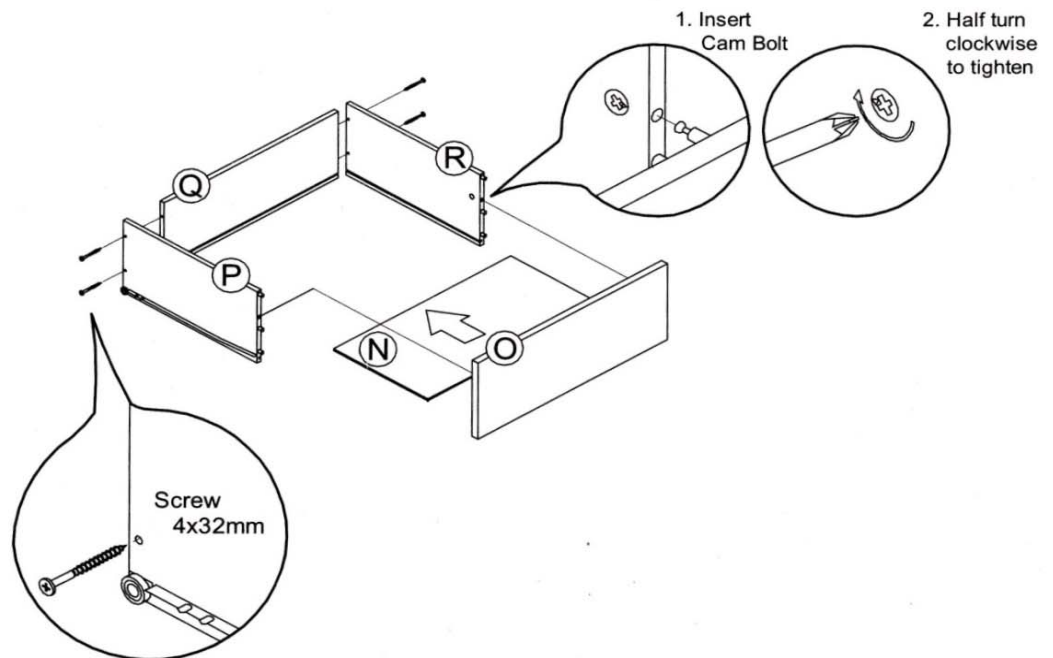
19. Double Drawer Assembly





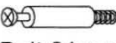
Screw 4x32mm (x4)

Assembly Steps

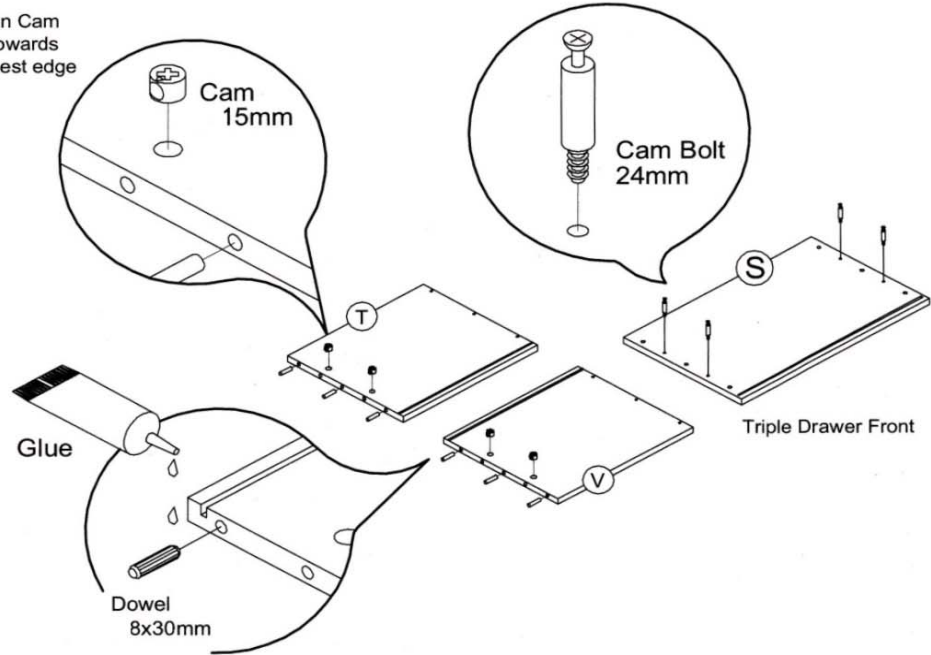
1. Secure the L/H & R/H Drawer Sides to the Drawer Back using Screw 4x32mm
2. Slide the Drawer Bottom into the Drawer Side groove.
3. Place 2 to 3 drops of glue into the dowel holes in Drawer Front. Then locate the Drawer Front on the Drawer Sides and secure by turning the Cams a half turn clockwise.



20. Triple Drawer Assembly

-  Cam 15x10mm (x4)
-  Dowel 8x30mm (x6)
-  Cam Bolt 24mm (x4)

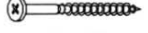
Note:
Arrow on Cam points towards the closest edge

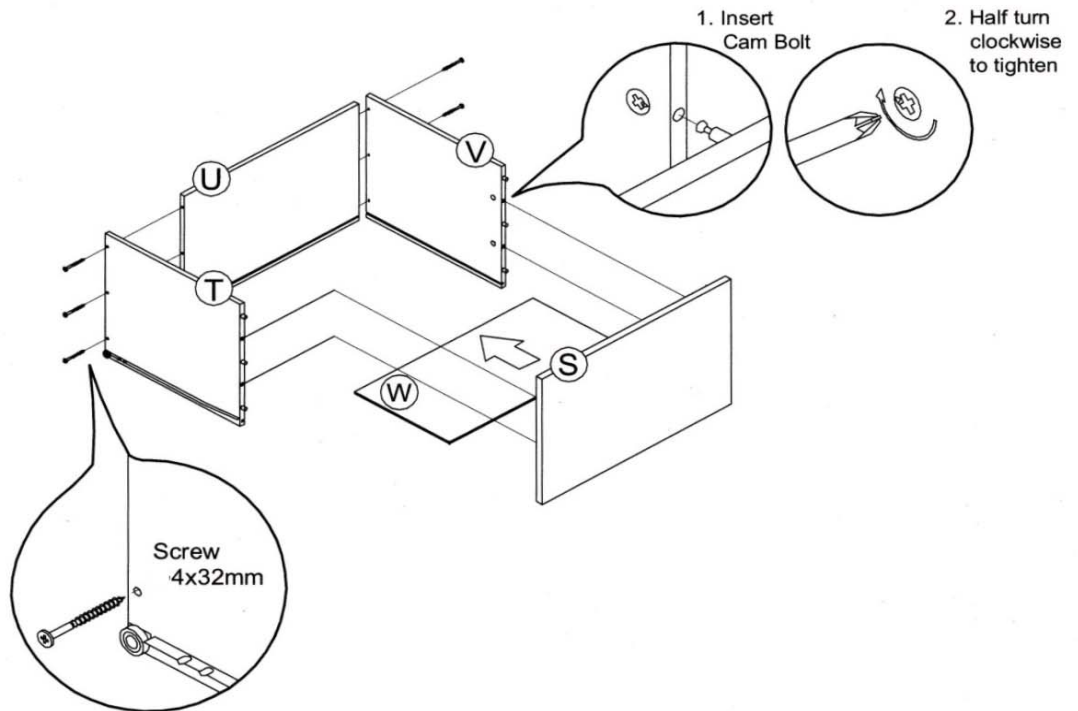


Assembly Steps

1. Place 2 to 3 drops of glue in each dowel hole in Drawer Sides and insert Dowels.
2. Insert Cams into the Drawer Sides ensuring the arrow points to the front edge.
3. Screw the Cam Bolts into the Drawer Front as shown.

21. Triple Drawer Assembly

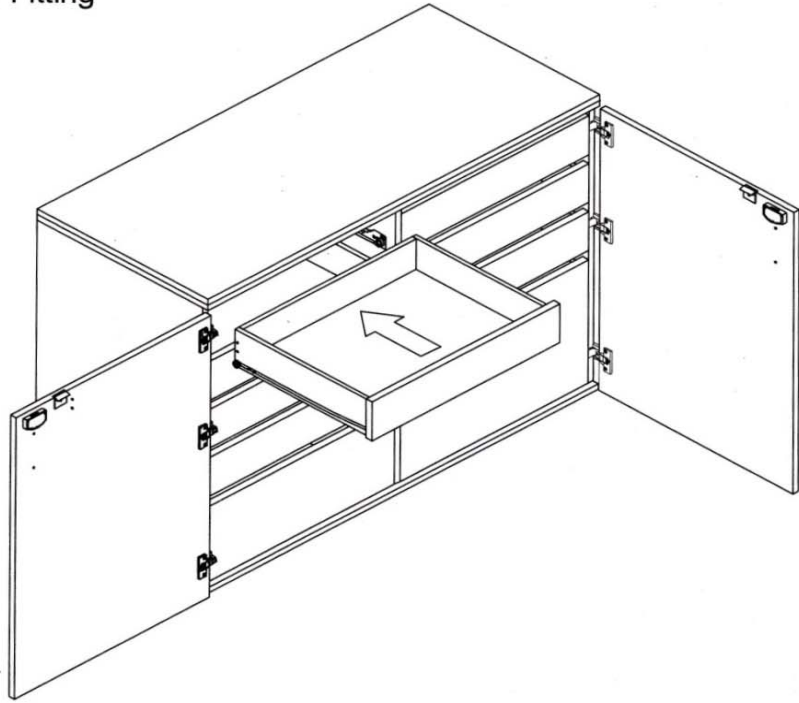
-  Screw 4x32mm (x6)



Assembly Steps

1. Secure the L/H & R/H Drawer Sides to the Drawer Back using Screw 4x32mm
2. Slide the Drawer Bottom into the Drawer Side groove.
3. Place 2 to 3 drops of glue into the dowel holes in Drawer Front. Then locate the Drawer Front on the Drawer Sides and secure by turning the Cams a half turn clockwise.

22. Drawer Fitting



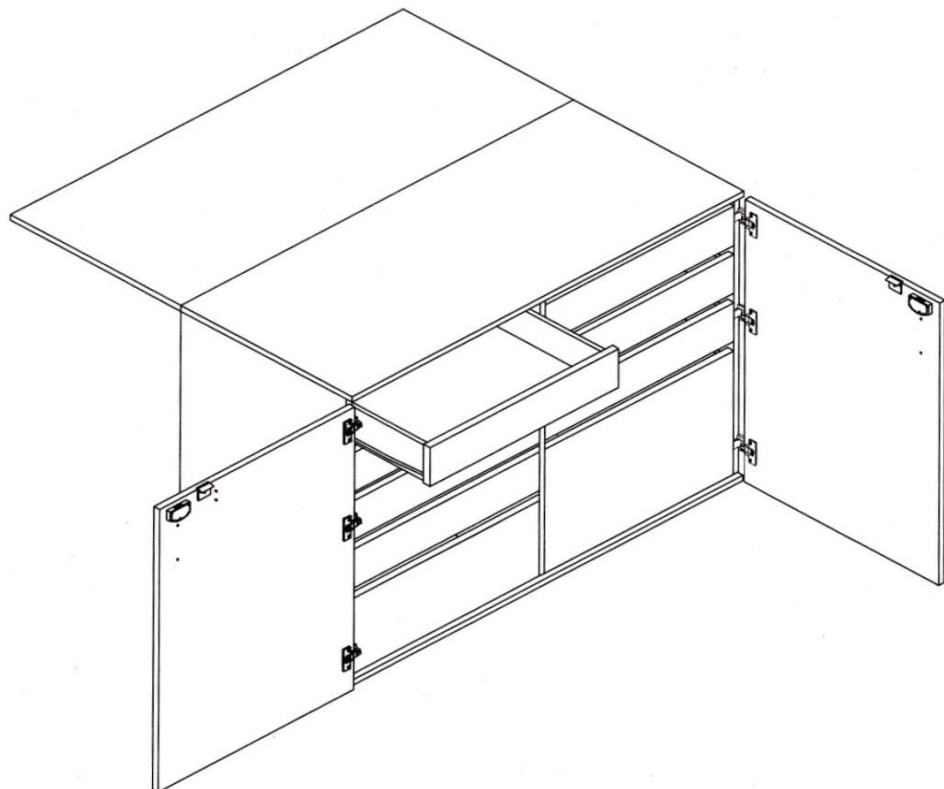
Assembly Steps

1. Insert Drawers onto the runners in the cabinet.

Note:

Triple Drawer on the bottom right hand side and Double on the bottom left hand side.

23. Cabinet



Note:

Doors fold back to give un-obstructed access to drawers and cutting surface. They conveniently close and lock when finished.