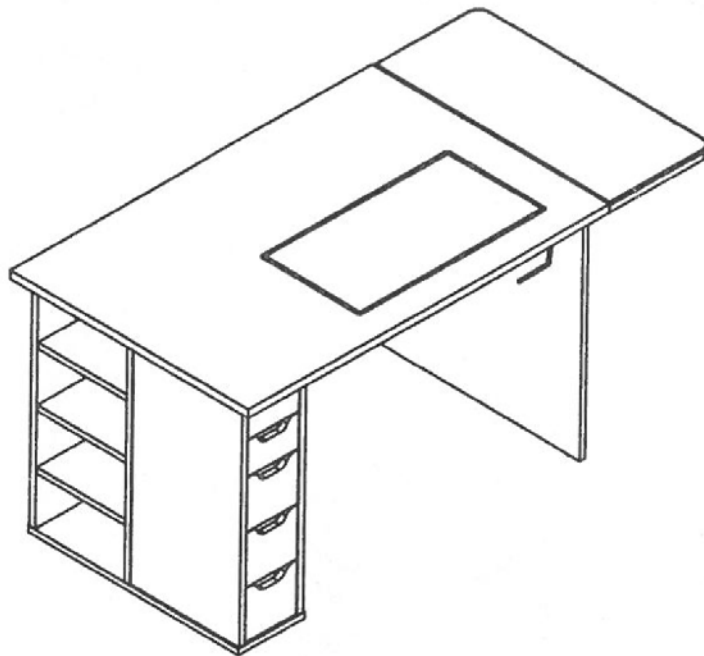


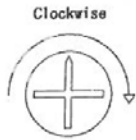
# ASSEMBLY INSTRUCTION

## Ginger Cabinet

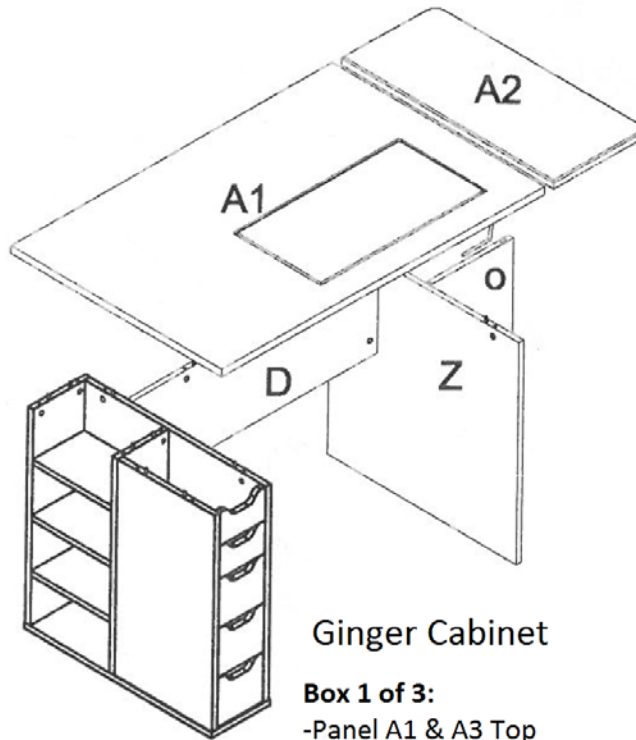
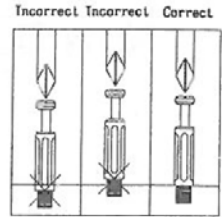
### Model 62020 White



Visit [www.arrowcabinets.com](http://www.arrowcabinets.com) to view our helpful assembly video.  
Call us 1-800-533-7347 or email [CS@arrowcabinets.com](mailto:CS@arrowcabinets.com) if you  
have questions or missing, or damaged parts.



Turning direction for attaching



### Ginger Cabinet

**Box 1 of 3:**

- Panel A1 & A3 Top
- Panel D

**Box 2 of 3:**

- Manual
- Cutting Mat & Ironing Board
- Panel O
- Panel Z

**Box 3 of 3:**

- Assembled Side

# PARTS LIST

ITEM	DESCRIPTION	QTY.	ITEM	DESCRIPTION	QTY.
A1	Top panel	1	(c1)	6*35 Cam Bolt	16
A3	Top panel	1	(d1)	8*30 Dowel Pin	16
D	Back panel	1	(c2)	(5/8") Cam Cover	28
Z	Right side panel	1	(S1)	3.5*12 Screw	8
O	Panel	1	(S2)	4*16 Screw	12
	Box with drawers	1	(b)	6*28 Bolt	1
			(a)	Adjustable feet	1
			(2)	Castors	1
			(b1)	Hinge	2
			(b2)	Hinge	2



(c1) 6\*35 Cam Bolt  
16



(d1) 8\*30 Dowel Pin  
16



(c2) (5/8") Cam Cover  
28



(S1) 3.5\*12 Screw  
8



(S2) 4\*16 Screw 12



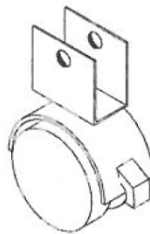
(b) 6\*28 Bolt 1



(b1) Hinge 2



(b2) Hinge 2

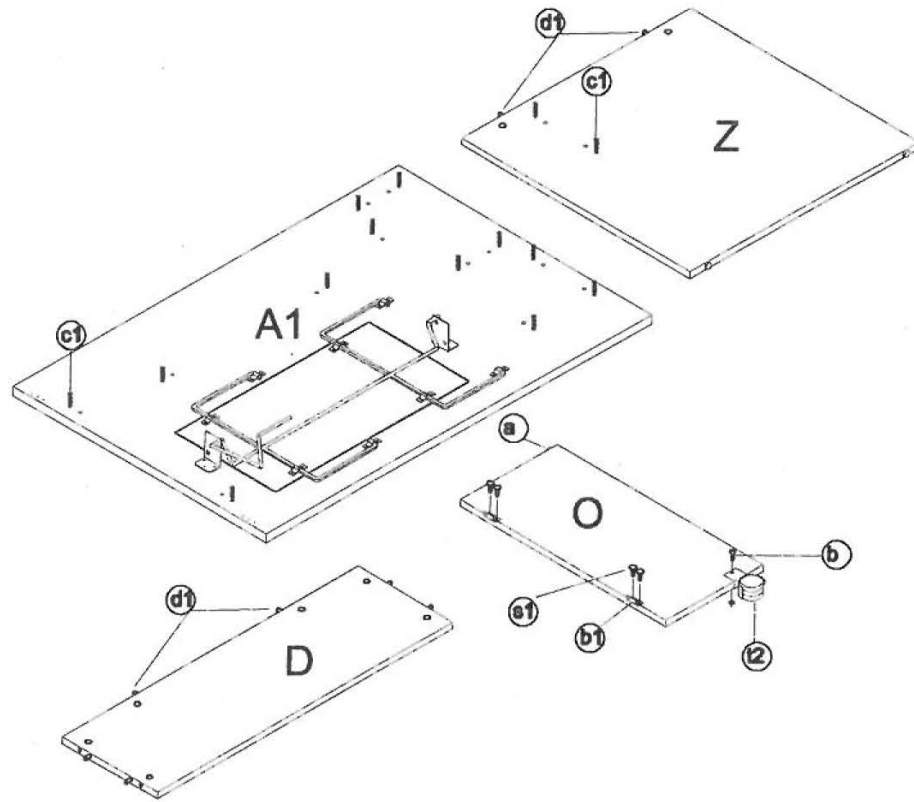


(2) Castor 1



(a) Adjustable feet 1

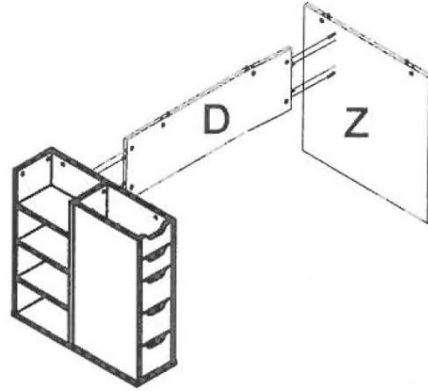
## STEP 1



### Preparation for top panels A 1, right side panels Z, panels D, O .

1. Insert cam bolts (c1) into panels A1, Z , and pre-assembled side unit.
2. Insert dowel pins (d1) to panels Z,D as illustrated above.
3. Fix the hinge (b1) to panel O with screws (a1) as illustrated above.
4. Fix the castor (12) to panel O with bolt (b) as illustrated above.
5. Fix (a) to panel O as illustrated above.

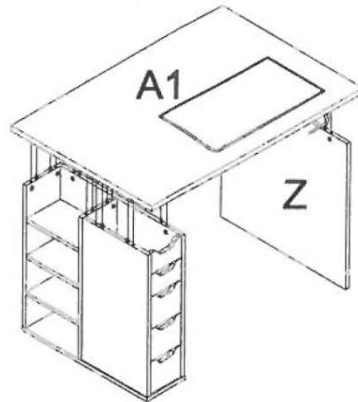
## STEP 2



### Panel D, Z and Side (Box) Assembly

1. Insert cam bolts (c1) on panel Z and pre-assembled side unit (box) into cams on panel D and tighten in a clockwise direction as illustrated above.

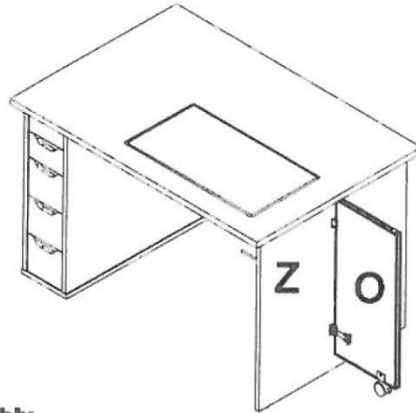
## STEP 3



### Top panel A1 assembly.

1. Insert cam bolts (c1) on panel A1 into cams on panels D,Z and box and tighten in a clockwise direction as illustrated above.

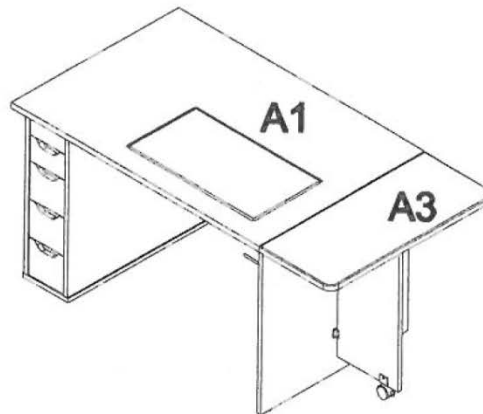
## STEP 4



### Panel O assembly.

1. Fix panel O to panel Z with hinge and screw **(b1)** **(s1)** as illustrated above.

## STEP 5



### Top panel A3 assembly.

1. Connecting top panels A1 and A3 by hinge and screw **(b2)** **(s2)** as illustrated above.

You have now successfully completed the assembly on item:

**Ginger Cabinet #62020**

