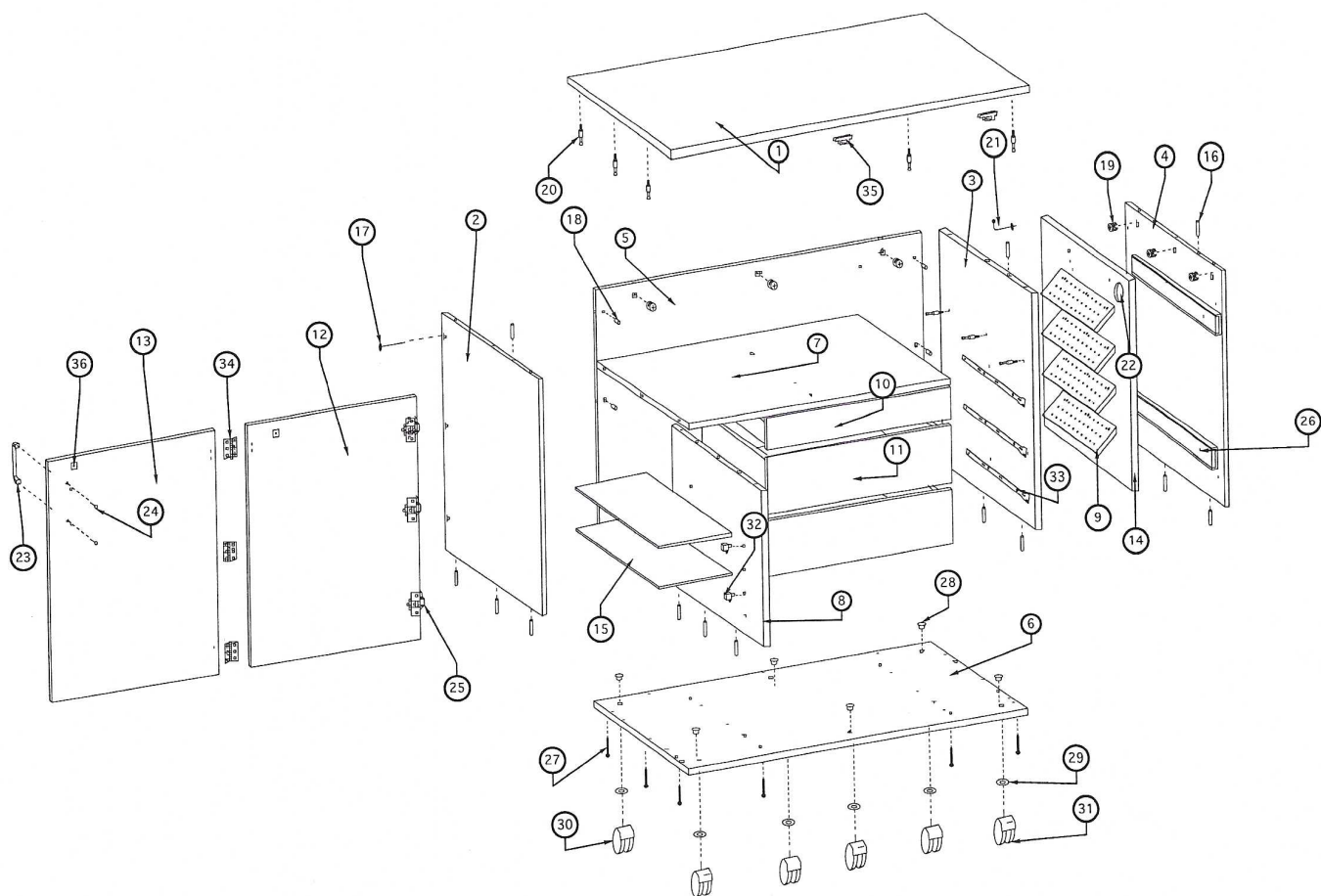


MODEL 90A PARTS DRAWING



NOTE: When ordering parts, specify quantity, part no. description, and color.

PART NO.	PART DESCRIPTION	QTY. REQ.	PART NO.	PART DESCRIPTION	QTY. REQ.
90A-1	TOP	1	90A-22	FINGER PULL	1
90A-2	LEFT SIDE PANEL	1	90A-23	PULL KNOB	1
90A-3	MIDDLE PANEL	1	90A-24	7/8" DOOR PULL SCREW	1
90A-4	RIGHT SIDE PANEL	1	90A-25	270 DEGREE DOOR HINGE W/SCREWS	3
90A-5	BACK	1	90A-26	100 LBS. GUIDES (1 SET) W/SCREWS	1
90A-6	BOTTOM	1	90A-27	SCREW #6 X 1 1/4" FH	12
90A-7	SHELF	1	90A-28	5/16" THREAD INSERT NUT	6
90A-8	SHELF SUPPORT PANEL	1	90A-29	CASTER WASHER	6
90A-9	ANGLED THREAD SHELF	4	90A-30	5/16" THREAD NON-LOCK CASTER	3
90A-10	SMALL DRAWER W/SLIDES	1	90A-31	5/16" THREAD LOCKING CASTER	3
90A-11	LARGE DRAWER W/SLIDES	2	90A-32	ADJUSTABLE SHELF PINS	8
90A-12	LEFT DOOR	1	90A-33	DRAWER GUIDE (1 SET) W/SCREWS	3
90A-13	RIGHT DOOR	1	90A-34	BUTT HINGE	3
90A-14	HOOP STORAGE PANEL	1	90A-35	MAGNETIC CATCH W/SCREWS	2
90A-15	ADJUSTABLE SHELF	2	90A-36	STRIKER PLATE W/SCREW	2
90A-16	WOODEN DOWEL	17			
90A-17	2" CONNECTOR BOLT	6			
90A-18	BARREL NUT 5/8"	6			
90A-19	CAM LOCK	21			
90A-20	CAM LOCK PIN	21			
90A-21	HOOP HOOK	6			

MODEL 90A ASSEMBLY INSTRUCTIONS

6/7/2019

FIGURE #1

1. UNPACKING CABINET

AFTER OPENING CARTON REMOVE BOTTOM CORNER PIECES AND CARDBOARD PANEL. REMOVE SMALL CARTON CONTAINING SHELF AND HARDWARE FROM BACK OF CABINET.

WITH THE HELP OF ANOTHER PERSON, SLOWLY LOWER BACK OF CABINET ONTO FLOOR AND THEN ROTATE UP ONTO CASTERS.

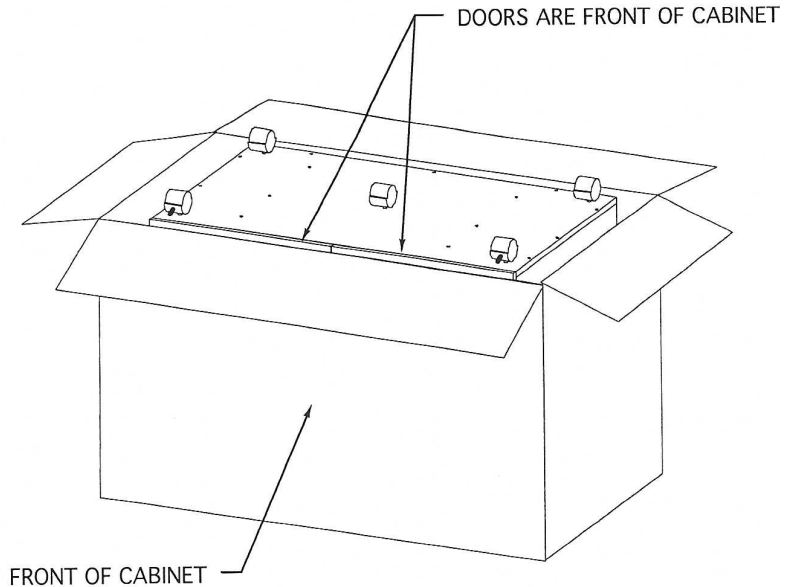


FIGURE #2

EMBROIDERY HOOP STORAGE

2. INSTALL ADJUSTABLE SHELVES AND HOOP STORAGE

INSTALL 4-SHELF PINS PER SHELF AND SLIDE SHELF ONTO PINS.

PULL OUT THREAD STORAGE PANEL. INSTALL PLASTIC THREAD SPOOL PEG. NOTE: YOU MUST REMOVE ANGLED THREAD STORAGE SHELVES TO INSTALL HOOP HOOKS. PLACE LARGE EMBROIDERY HOOP ONTO HOOP STORAGE PANEL. SCREW 2-HANGER HOOKS INTO PRE-DRILLED HOLES TO HOLD HOOP. CONTINUE WITH NEXT SMALLEST HOOP(S) AS SHOWN IN FIGURE #3.

