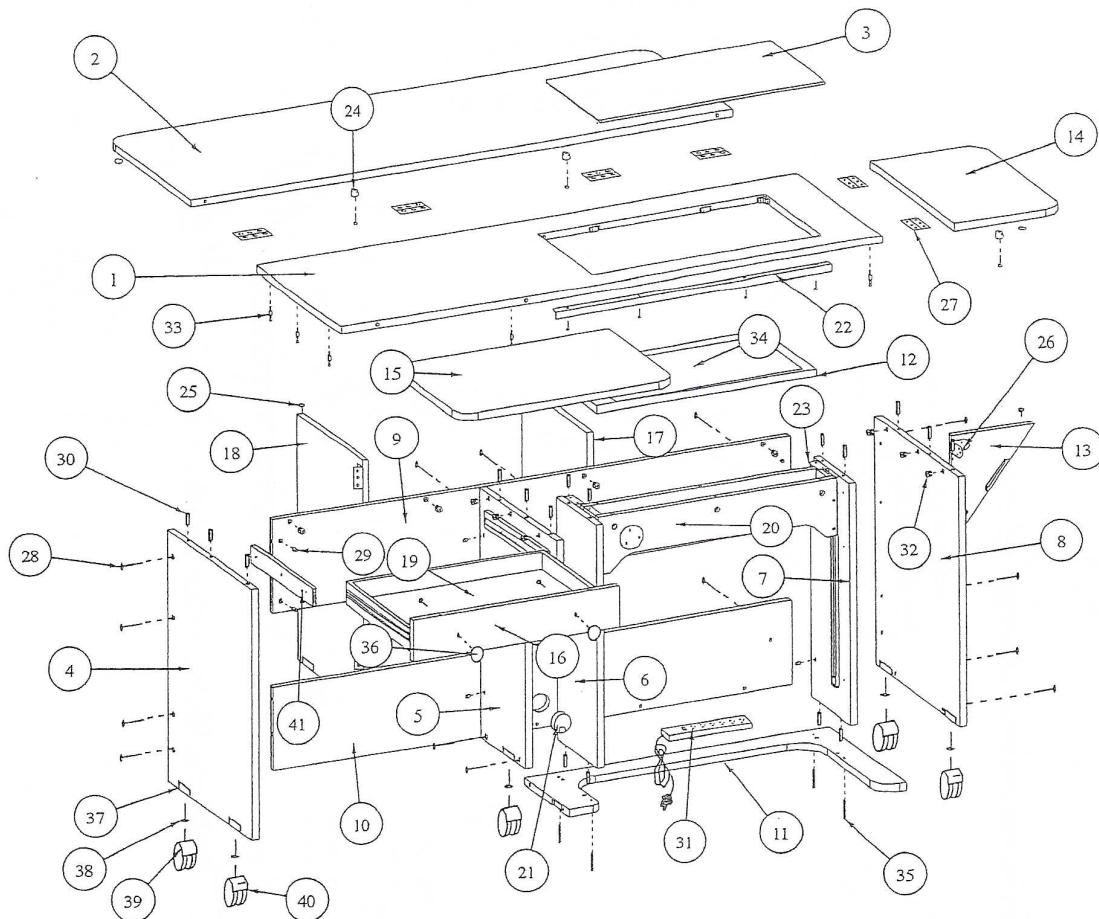


MODEL 5280B PARTS DRAWING.

12/03/2015



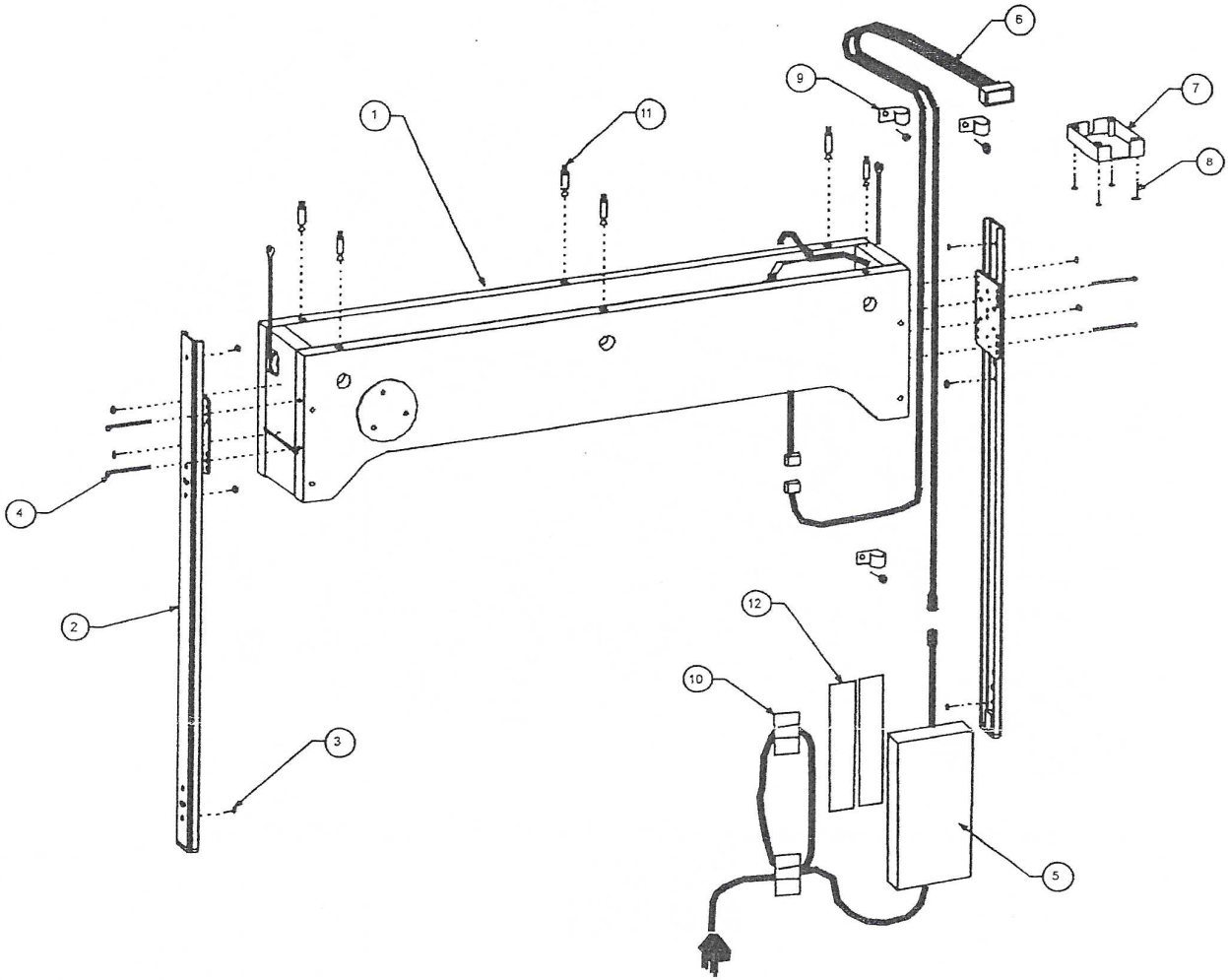
NOTE: WHEN ORDERING REPLACEMENT PARTS, PLEASE SPECIFY PART NUMBER _____ AND COLOR _____.

HORN OF AMERICA, INC.
 P.O. BOX 608
 SUTTON, WV 26601
 PH: (800) 882-8845

<u>PART NO.</u>	<u>DESCRIPTION</u>	<u>QTY. REQ.</u>	<u>PART NO.</u>	<u>DESCRIPTION</u>	<u>QTY. REQ.</u>
5280B-1	TOP	1	5280B-22	TOP SUPPORT RAIL W/SCREWS	1
5280B-2	DROP LEAF	1	5280B-23	2 1/2" BRACKET W/SCREWS	2
5280B-3	FILLER PANEL	1	5280B-24	NYLON STOP W/SCREW	3
5280B-4	LEFT SIDE PANEL	1	5280B-25	GLIDE TACK	3
5280B-5	MIDDLE PANEL	1	5280B-26	LEAF HINGE W/SCREWS	4
5280B-6	LEFT LIFT PANEL	1	5280B-27	BUTT HINGE W/SCREWS	12
5280B-7	RIGHT LIFT PANEL	1	5280B-28	CONNECTOR BOLT 2"	21
5280B-8	RIGHT SIDE PANEL	1	5280B-29	3/4" BARREL NUT	21
5280B-9	BACK	1	5280B-30	WOOD DOWEL	17
5280B-10	BOTTOM STRETCHER RAIL	1	5280B-31	ELECTRIC POWER STRIP W/SCREWS	1
5280B-11	BOTTOM PANEL	1	5280B-32	CAM LOCK	13
5280B-12	MOUNTING PLATFORM	1	5280B-33	CAM LOCK PIN	13
5280B-13	EXTENSION SUPPORT PANEL	1	5280B-34	NON-SLIP PAD	1
5280B-14	SWING UP EXTENSION PLATFORM	1	5280B-35	SCREW #8 X 1 1/8"	4
5280B-15	DRAWER EXTENSION PLATFORM	1	5280B-36	PULL W/SCREW	2
5280B-16	DRAWER FACE	1	5280B-37	"U" CASTER BRACKET	7
5280B-17	RIGHT SUPPORT PANEL	1	5280B-38	PLASTIC CASTER SOCKET	7
5280B-18	LEFT SUPPORT PANEL	1	5280B-39	NON-LOCK CASTER	3
5280B-19	DRAWER	1	5280B-40	LOCKING CASTER	4
5280B-20	REFER TO MODEL 12 PAPER	1	5280B-41	SOFT CLOSE DR GUIDE (SET) W/SCREWS	1
5280B-21	WIRING GROMMET	1			

MODEL: 12B ELECTRIC LIFT PARTS DRAWING

3/2/2011



NOTE: WHEN ORDERING REPLACEMENT PARTS, PLEASE SPECIFY PART NUMBER _____ AND COLOR _____.

PART NO.	DESCRIPTION	QTY.	PART NO.	DESCRIPTION	QTY.
12B-1	ELECTRIC LIFT UNIT COMPLETE	1	12B-7	SWITCH ENCLOSURE	1
12B-2	VERTICAL SLIDE RAIL	2	12B-8	SWITCH ENCLOSURE SCREW	4
12B-3	VERTICAL SLIDE RAIL SCREW	10	12B-9	CABLE CLAMP W/SCREW	3
12B-4	50mm CONFIRMATE SCREW	4	12B-10	ADJUSTABLE ADHESIVE CABLE CLAMP	2
12B-5	POWER TRANSFORMER	1	12B-11	CAM LOCK PIN	6
12B-6	MAIN WIRING HARNESS WITH SWITCH	1	12B-12	VELCRO STRIP	2

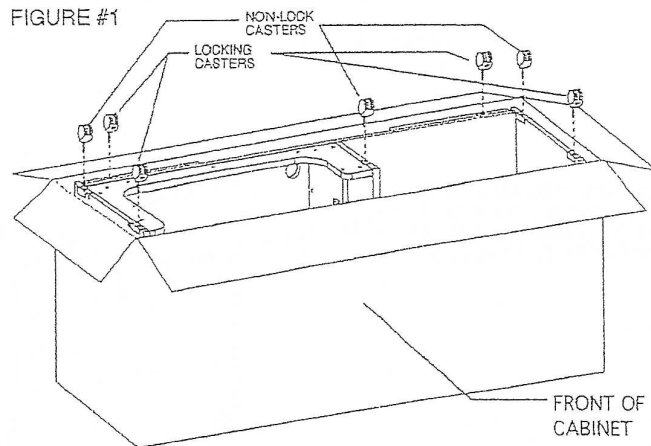
HORN OF AMERICA INC.
P.O. BOX 608, SUTTON, WV 26601
1-800-882-8845

MEUBLES HORN INC./HORN FURNITURE INC.
42, RUE MONTCALM, ST-PIE (QUÉBEC) J0H 1W0
1-800-380-6661

MODEL 5280A ASSEMBLY INSTRUCTIONS

4/11/2014

1. AFTER OPENING CARTON REMOVE THE WOODEN PACKING FRAME CAREFULLY! THE DRAWER EXTENSION PLATFORM IS FASTENED INTO THE WOODEN PACKING FRAME- REMOVE THE DRAWER EXTENSION PLATFORM AND SET ASIDE. DISCARD THE WOODEN PACKING FRAME. INSTALL CASTERS INTO CABINET AS SHOWN IN FIGURE #1, GENTLY ROLL CABINET OVER AND SET UP ON ITS CASTERS.



2. PULL DRAWER OUT AND SECURE 2-PULLS WITH 2- PULL SCREWS AS SHOWN IN FIGURE #2. LIFT UP DROP LEAF ON BACK OF CABINET AND SWING OUT LEFT AND RIGHT SUPPORT PANELS FOR SUPPORT. LIFT UP- SWING UP EXTENSION PLATFORM AND ROTATE THE EXTENSION SUPPORT PANEL OUT FOR SUPPORT. REMOVE FILLER PANEL BY REMOVING TAPE STRIPS WHEN UNPACKING. TO REMOVE INSERT/FILLER PANEL FROM TOP, PUSH UP FROM BOTTOM SIDE AS SHOWN IN FIGURE #2.

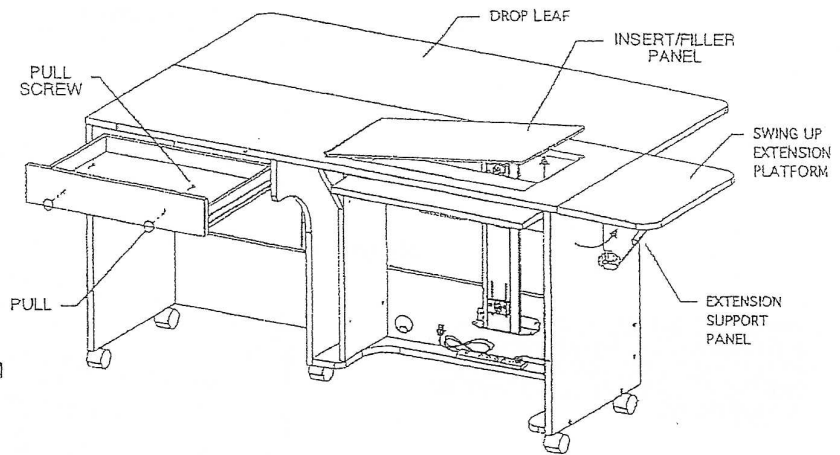
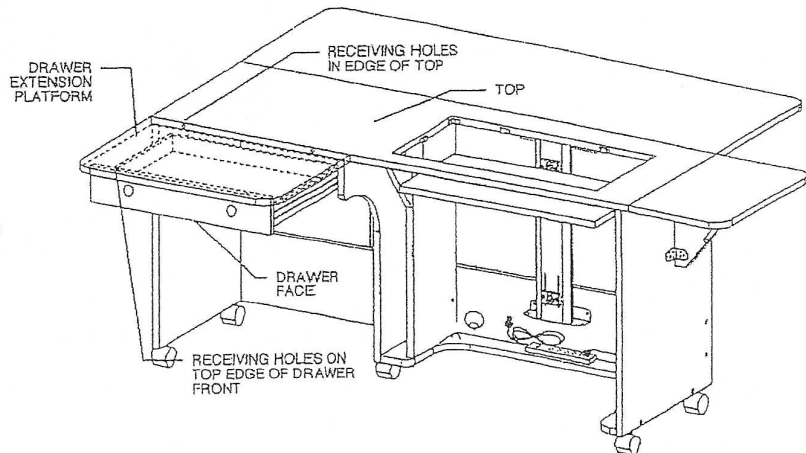


FIGURE #3

3. GET THE DRAWER EXTENSION PLATFORM WHICH YOU SET ASIDE IN STEP #1. PULL DRAWER OUT COMPLETELY. ALIGN PINS ON BACK EDGE OF DRAWER EXTENSION PLATFORM TO RECEIVING HOLES ON FRONT EDGE OF TOP. LOWER DRAWER EXTENSION PLATFORM ONTO DRAWER FRONT WHILE ALIGNING PINS TO RECEIVING HOLES AS SHOWN IN FIGURE #3.. THE DRAWER EXTENSION PLATFORM FITS TIGHTLY INTO RECEIVING HOLES. WHEN INSTALLING USE FINGERS TO PULL ON DRAWER FACE AND THUMBS ON DRAWER EXTENSION PLATFORM UNTIL PINS GO INTO PLACE.



MODEL 5280A
ASSEMBLY INSTRUCTIONS
AIRLIFT VERSION

4/11/2014

FIGURE #4

4. PUSH OUT WIRING GROMMET AND ROUTE POWER CORD THROUGH HOLE. PUSH WIRING GROMMET BACK IN PLACE. PLUG POWER CORD INTO POWER OUTLET.

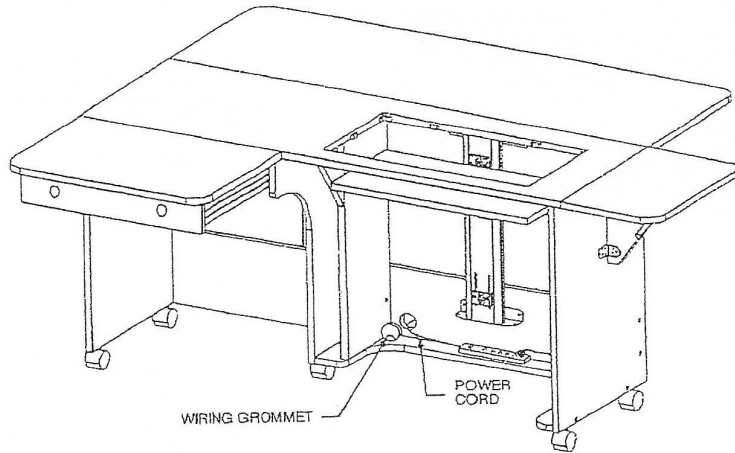


FIGURE #5

5. WHEN NOT IN USE, THE DRAWER EXTENSION PLATFORM, INSERT OR FILLER PANEL CAN BE STORED ON THE RIGHT SIDE PANEL AS SHOWN IN FIGURE #5.

