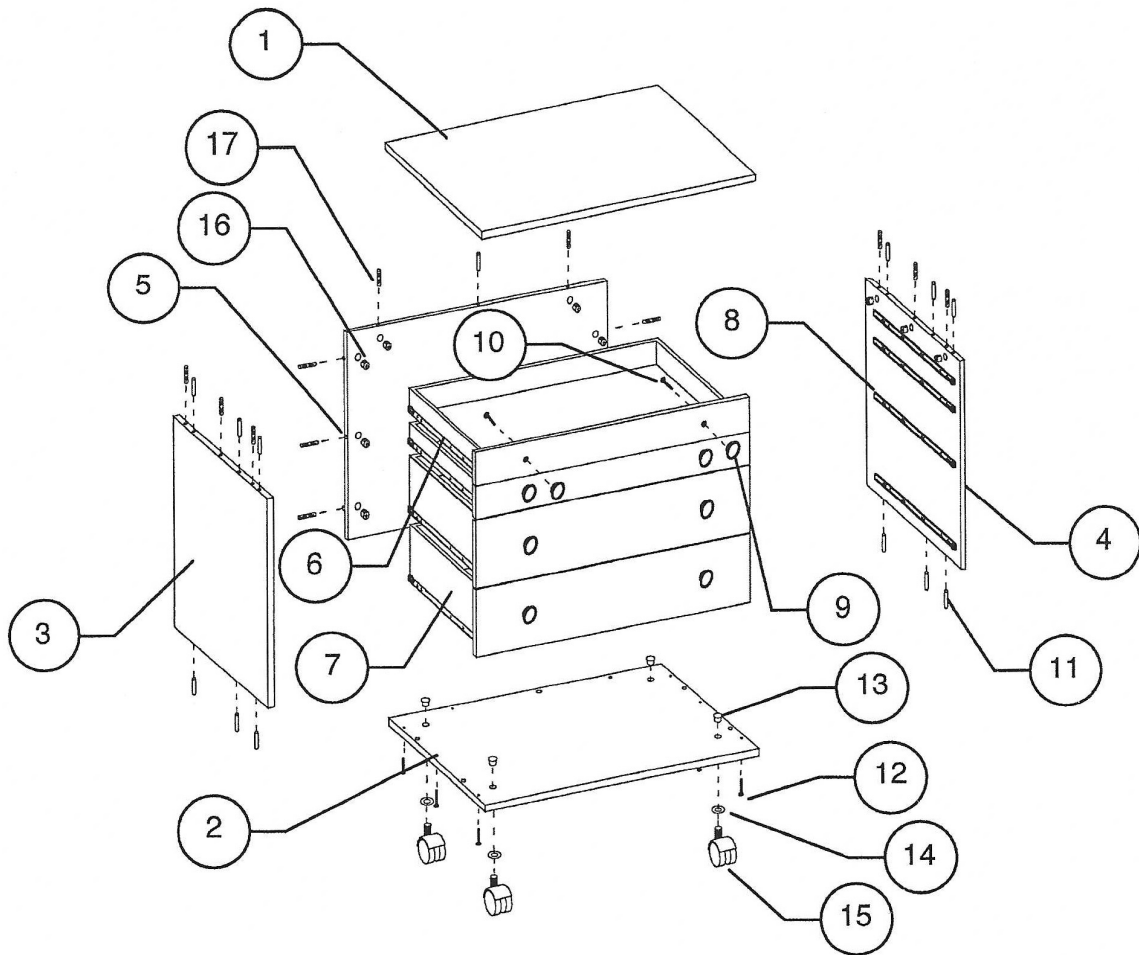


# MODEL 51B PARTS DRAWING

10/19/2015



<u>ITEM</u>	<u>DESCRIPTION</u>	<u>QTY. REQ.</u>	<u>ITEM</u>	<u>DESCRIPTION</u>	<u>QTY. REQ.</u>
51B-1	TOP	1	51B-9	PULL KNOB	8
51B-2	BOTTOM	1	51B-10	PULL SCREW	8
51B-3	LEFT END	1	51B-11	WOOD DOWEL	14
51B-4	RIGHT END	1	51B-12	SCREW #8 X 1 1/8" PWH	8
51B-5	BACK	1	51B-13	T-NUT 5/16" THREAD	4
51B-6	SMALL DRAWER W/SLIDES	2	51B-14	CASTER WASHER	4
51B-7	LARGE DRAWER W/SLIDES	2	51B-15	CASTER 5/16" THREAD	4
51B-8	DRAWER GLIDES W/SCREWS (1SET)	4	51B-16	TWIST CAM	14
			51B-17	TWIST CAM PIN	14

NOTE: WHEN ORDERING REPLACEMENT PARTS, PLEASE SPECIFY  
PART NUMBER \_\_\_\_\_ AND COLOR \_\_\_\_\_ .

**HORN OF AMERICA 1-800-882-8845**