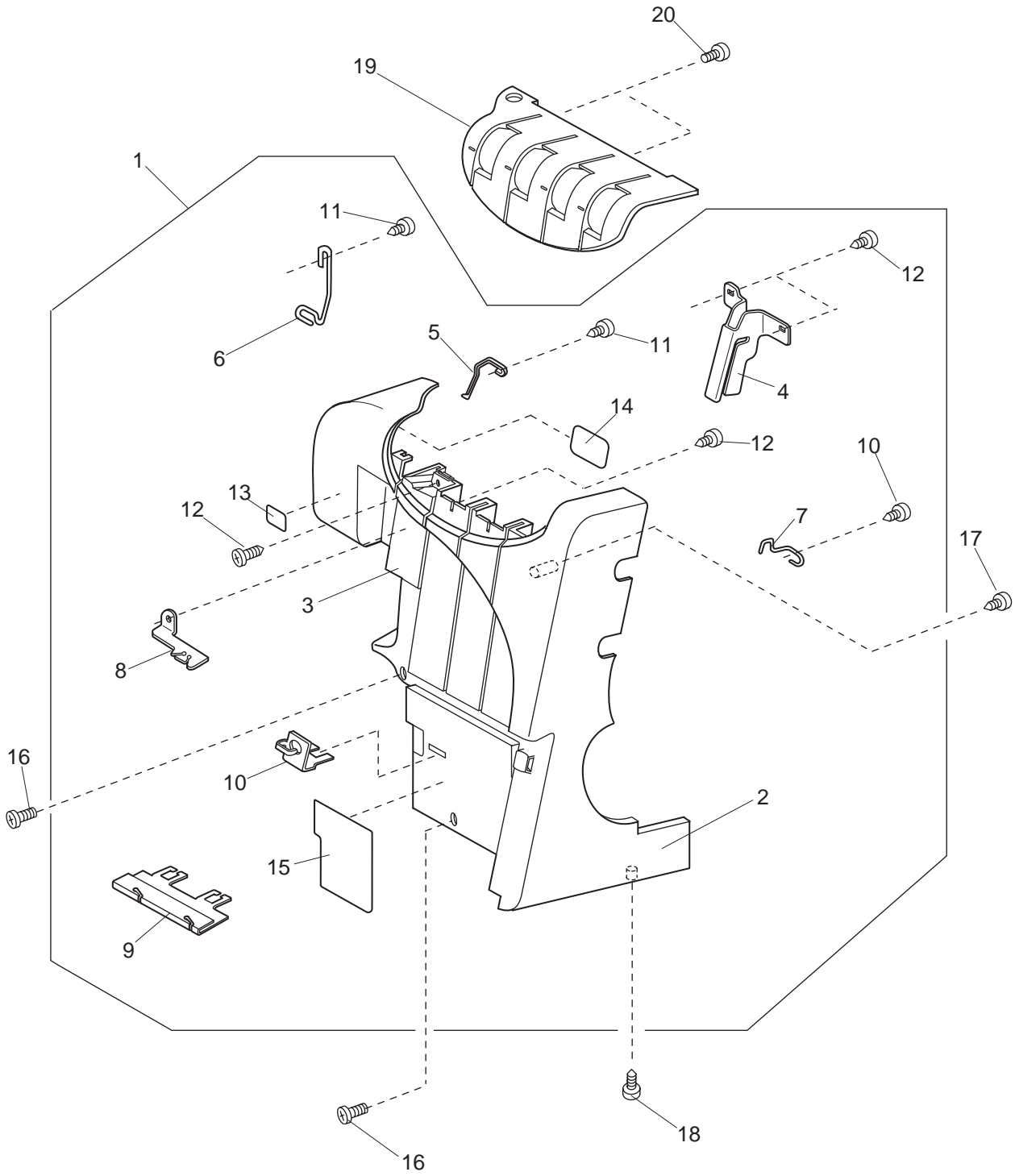


PARTS LIST

MODEL: S34

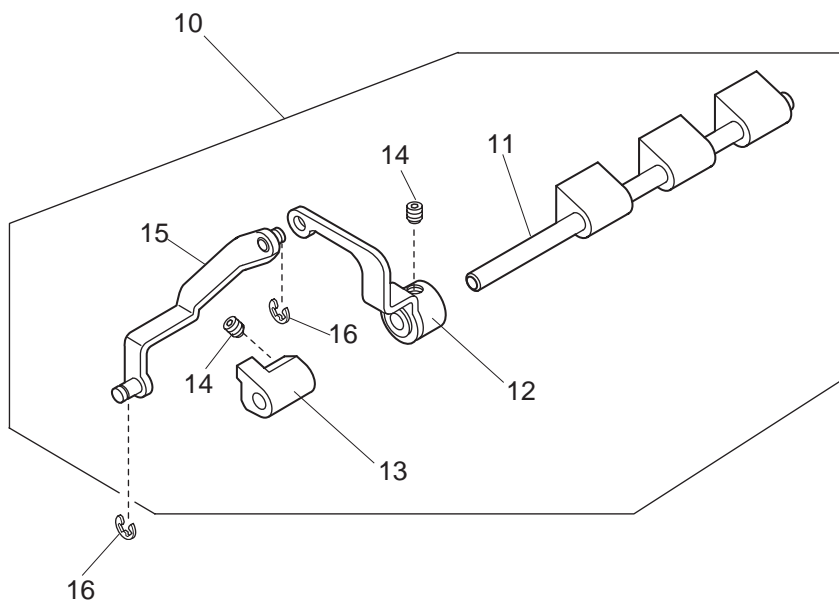
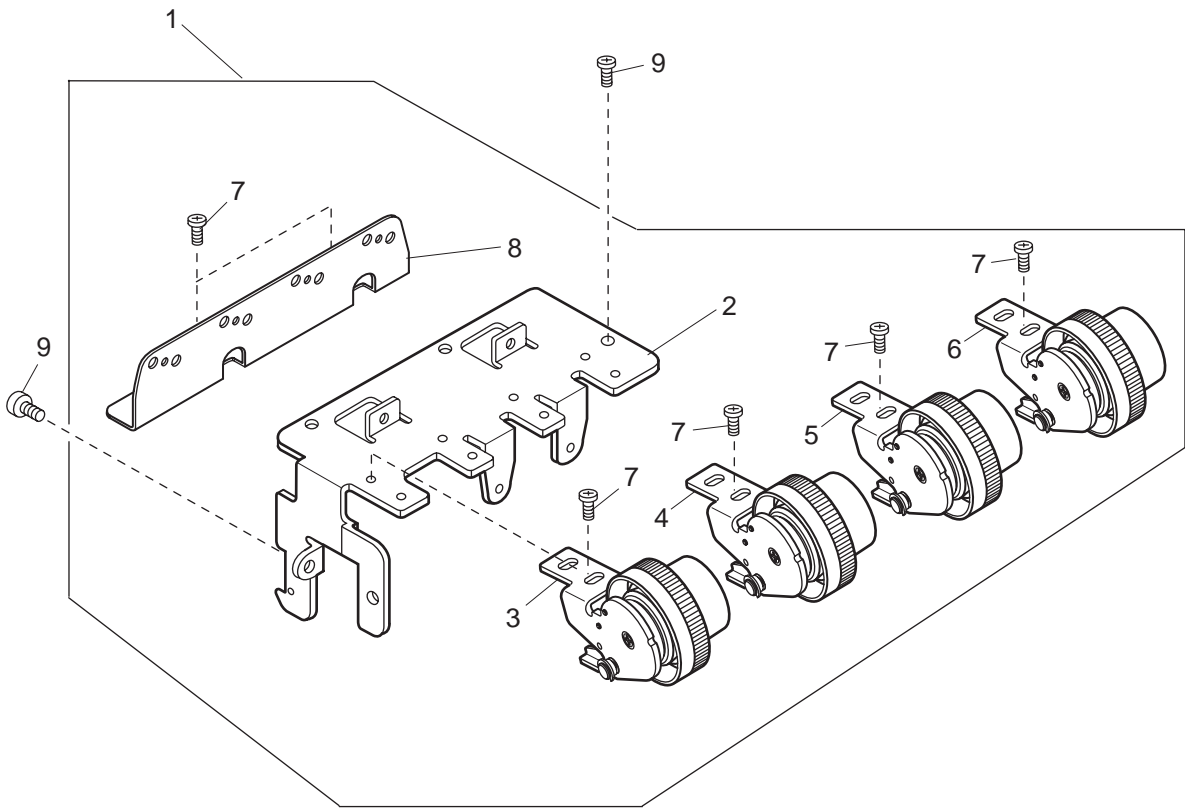
PARTS LIST



PARTS LIST

| KEY NO. | PARTS NO. | DESCRIPTION |
|------------|--------------|---------------------------|
| 1 | 793603064 | Front cover (unit) |
| 2 | 793004151 | Front cover |
| 3 | 793005004 | Thread guide cover |
| 4 | 788059007 | Take-up lever cover |
| 5 | 788060001 | Needle thread guide (R) |
| 6 | 788115002 | Needle thread guide (L) |
| 7 | 788107001 | Needle thread guide |
| 8 | 788063004 | Needle thread guide plate |
| 9 | 787132002 | Looper thread guide |
| 10 | 787131001 | Upper looper thread guide |
| 11 | 000149301 | Tapping screw 3x8 (B) |
| 12 | 000120203 | Tapping screw 3x8 (B) |
| 13 | 888261007 | Sticker |
| 14 | 724025006 | Sticker |
| 15 | 793006005 | Sticker |
| 16 | 000081016 | Setscrew 4x8 |
| 17 | 000161206 | Tapping screw 3x10 (B) |
| 18 | 000198305 | Tapping screw 4x10 (B) |
| 19 | 793007121 | Top cover |
| 20 | 000081005 | Setscrew 4x8 |

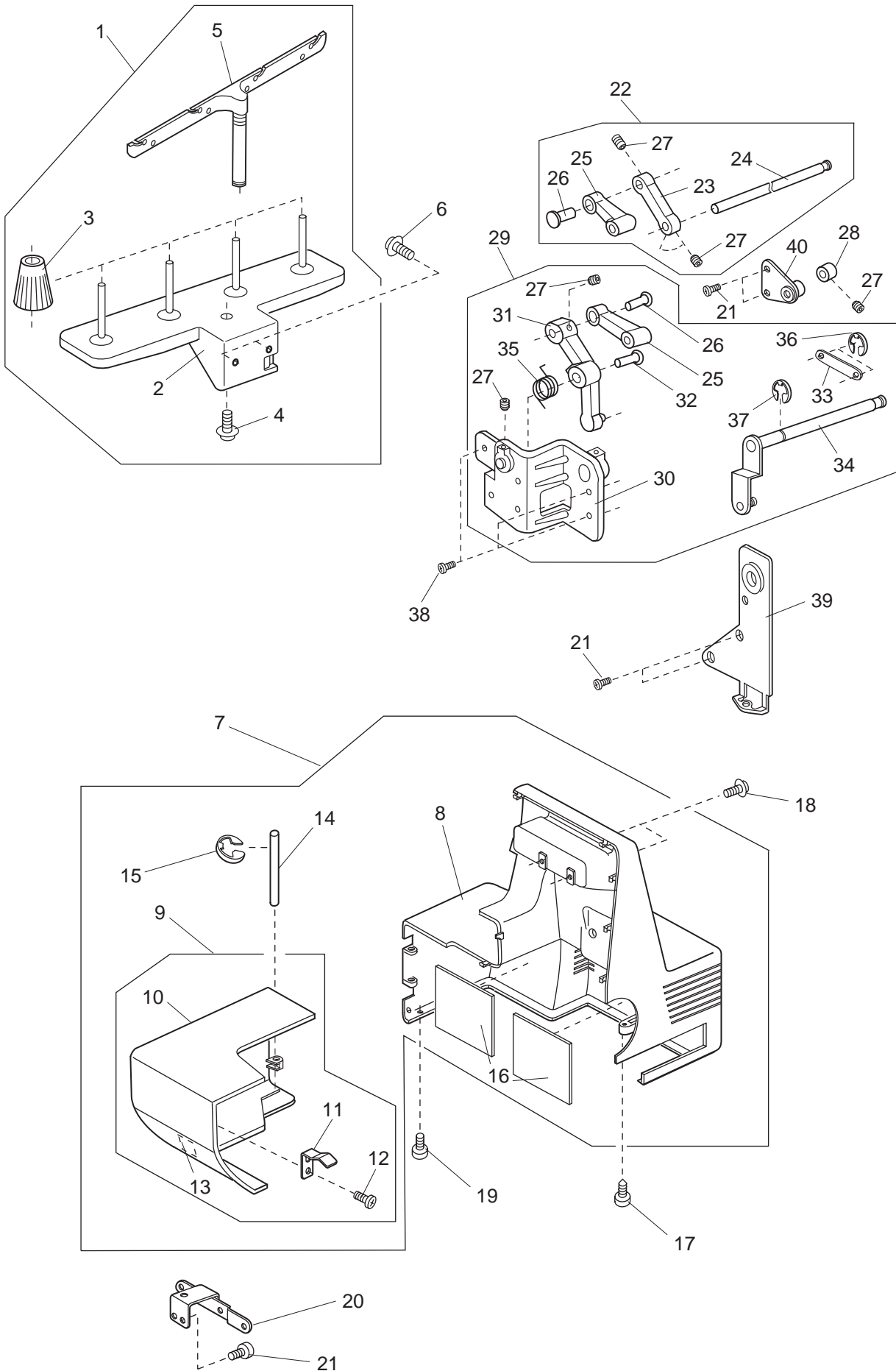
PARTS LIST



PARTS LIST

| KEY NO. | PARTS NO. | DESCRIPTION |
|------------|--------------|-------------------------------------|
| 1 | 793602041 | Thread tension set plate (unit) |
| 2 | 793002001 | Tread tension set plate |
| 3 | 788503023 | Left Needle thread tension (unit) |
| 4 | 788504024 | Right Needle thread tension (unit) |
| 5 | 788505025 | Upper looper thread tension (unit) |
| 6 | 788506026 | Lower looper thread tension (unit) |
| 7 | 000101404 | Setscrew 4x6 |
| 8 | 793003002 | Tread guide |
| 9 | 000081005 | Setscrew 4x8 |
| 10 | 793611009 | Thread tension release shaft (unit) |
| 11 | 793127003 | Tread tension release shaft |
| 12 | 788055003 | Thread tension release lever |
| 13 | 788056004 | Cam ring |
| 14 | 000111201 | H. socket screw 4x4 |
| 15 | 788089006 | Thread tension release link |
| 16 | 000002105 | Snap ring E-3 |

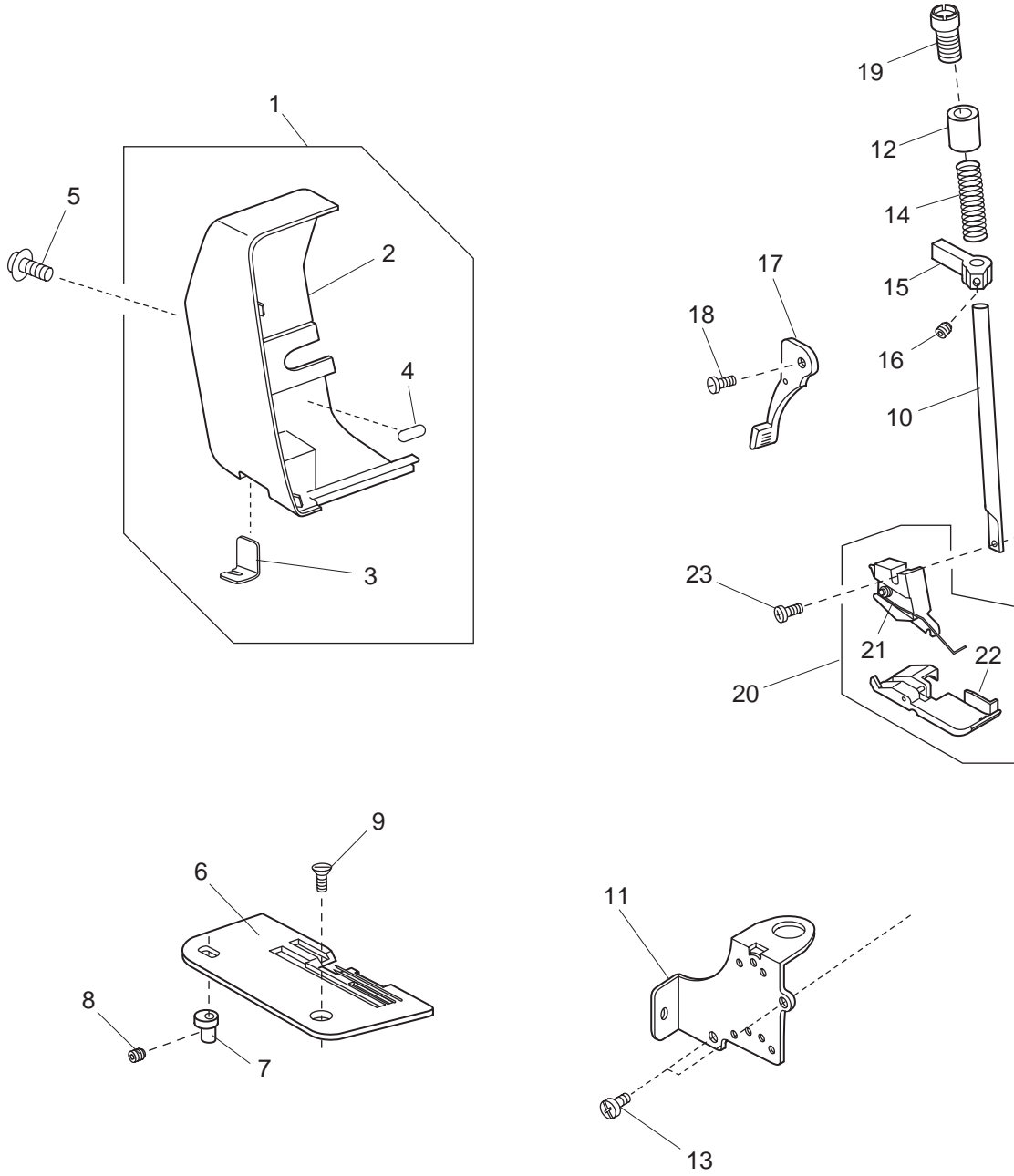
PARTS LIST



PARTS LIST

| KEY NO. | PARTS NO. | DESCRIPTION |
|------------|--------------|----------------------------|
| 1 | 789606008 | Spool stand (unit) |
| 2 | 777011003 | Spool stand |
| 3 | 784223105 | Spool holder |
| 4 | 000115700 | TP screw 4x10 |
| 5 | 789607009 | Thread guide bar (unit) |
| 6 | 000114802 | TP screw 4x12 |
| 7 | 792615181 | Back cover (unit) |
| 8 | 792022163 | Back cover |
| 9 | 792608206 | Side cover (unit) |
| 10 | 792023005 | Side cover |
| 11 | 787163002 | Side cover spring |
| 12 | 000120203 | Tapping screw 3x8 (B) |
| 13 | 100970003 | Sticker |
| 14 | 792024006 | Side cover shaft |
| 15 | 000002105 | Snap ring E-3 |
| 16 | 794110006 | Rubber sheet |
| 17 | 000198305 | Tapping screw 4x10 (B) |
| 18 | 000115618 | TP screw 4x8 |
| 19 | 000115607 | TP screw 4x8 |
| 20 | 787294003 | Back cover set plate |
| 21 | 000081005 | Setscrew 4x8 |
| 22 | 787637002 | Main feed con. arm (unit) |
| 23 | 787197005 | Main feed con. arm 2 |
| 24 | 784198006 | Main feed con. shaft |
| 25 | 787067005 | Feed link |
| 26 | 787195003 | Feed connecting pin |
| 27 | 000111201 | H. socket screw 4x4 |
| 28 | 650136009 | Ring |
| 29 | 792611006 | Feed adjusting base (unit) |
| 30 | 787074108 | Feed adjusting base |
| 31 | 787194002 | Sub feed connecting arm 3 |
| 32 | 787195014 | Connecting arm pin |
| 33 | 787081005 | Feed con. arm link |
| 34 | 792034009 | Sub feed con. arm shaft |
| 35 | 787301004 | Spring |
| 36 | 000002105 | Snap ring E-3 |
| 37 | 000001609 | Snap ring E-5 |
| 38 | 000103509 | Setscrew 4x10 |
| 39 | 792009005 | Main shaft set plate (C) |
| 40 | 787077008 | Connecting arm support |

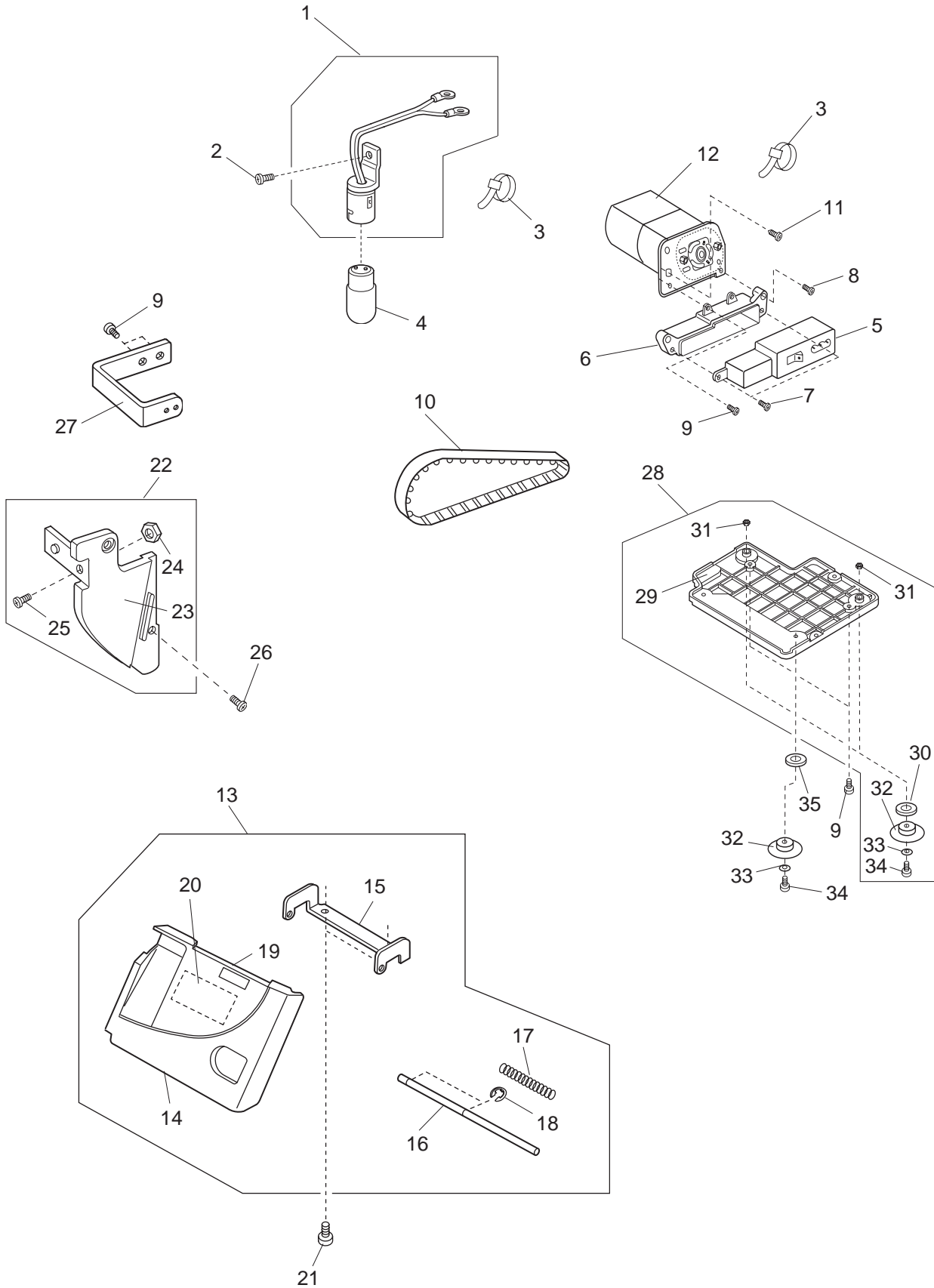
PARTS LIST



PARTS LIST

| KEY NO. | PARTS NO. | DESCRIPTION |
|------------|--------------|-----------------------------|
| 1 | 793601305 | Face plate (unit) |
| 2 | 793001000 | Face plate |
| 3 | 840602006 | Thread cutter (unit) |
| 4 | 100411104 | Sticker |
| 5 | 000115700 | TP screw 4x10 |
| 6 | 788601000 | Needle plate (unit) |
| 7 | 789100007 | Eccentric pin |
| 8 | 000111902 | H. socket screw 3x4 |
| 9 | 681009101 | Plain screw |
| 10 | 787019002 | Presser bar |
| 11 | 789105002 | Lamp set plate |
| 12 | 777002001 | Bushing |
| 13 | 000101404 | Setscrew 4x6 |
| 14 | 787020006 | Presser bar spring |
| 15 | 789117007 | Presser bar bracket |
| 16 | 000111304 | H. socket screw 5x5 |
| 17 | 650032015 | Presser lifter |
| 18 | 810431009 | Hinge screw |
| 19 | 777013108 | Presser adjusting screw |
| 20 | 788501009 | Presser foot (unit) |
| 21 | 787541008 | Foot holder (unit) |
| 22 | 788502000 | Presser foot (lower) (unit) |
| 23 | 660106001 | Setscrew |

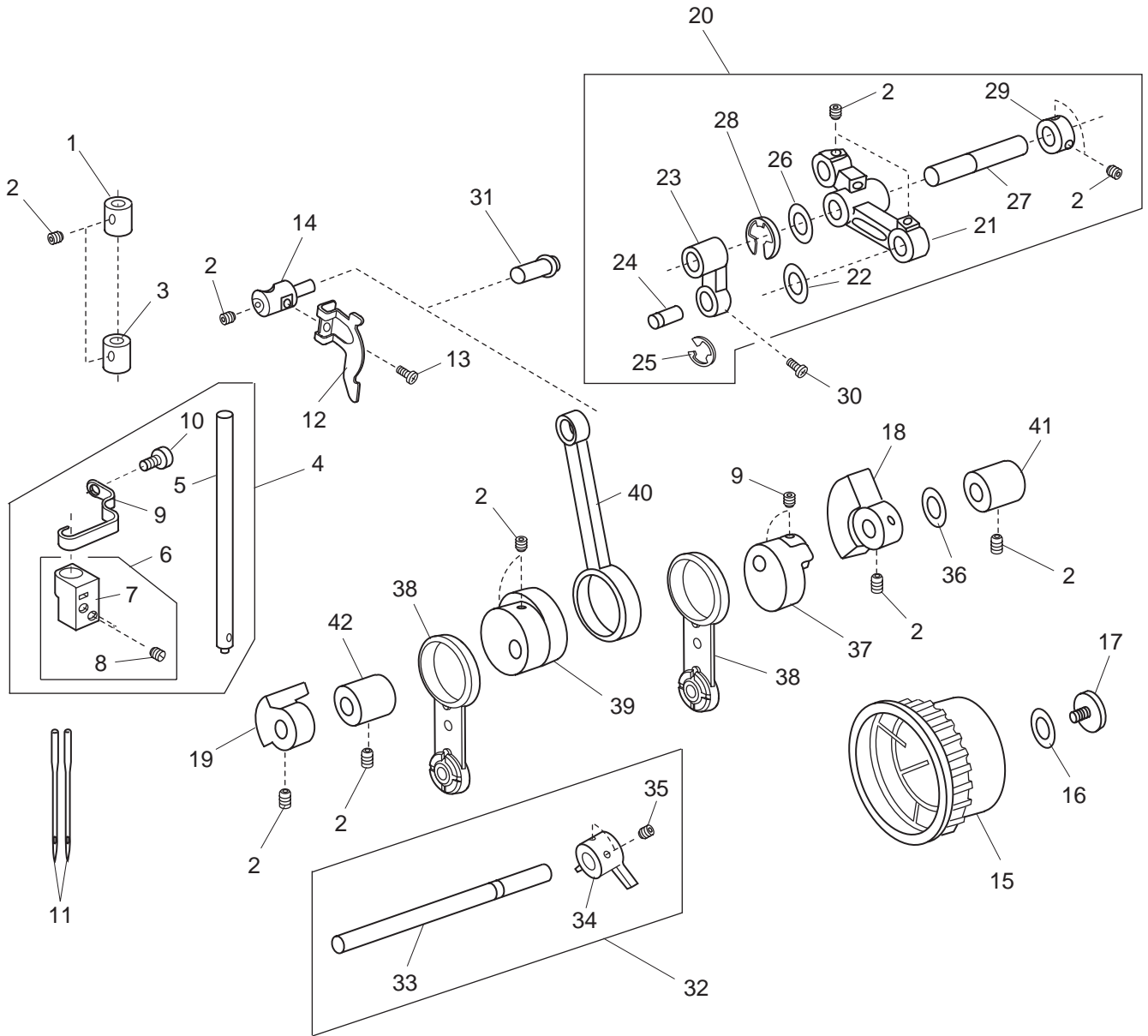
PARTS LIST



PARTS LIST

| KEY NO. | PARTS NO. | DESCRIPTION |
|------------|--------------|-----------------------------|
| 1 | 787510204 | Lamp socket (unit) |
| 2 | 000101404 | Setscrew 4x6 |
| 3 | 000053008 | Binder |
| 4 | 000009803 | Lamp |
| 5 | 777504101 | Plug con. rec. (unit) |
| 6 | 784128028 | Plug. con. receptacle cover |
| 7 | 000121905 | Tapping screw 4x12 (B) |
| 8 | 000104108 | Setscrew 4x20 |
| 9 | 000081005 | Setscrew 4x8 |
| 10 | 793125001 | Timing belt |
| 11 | 000115504 | TP screw 5x10 |
| 12 | 792617208 | Motor (unit) |
| 13 | 793604319 | Looper cover (unit) |
| 14 | 793008384 | Looper cover |
| 15 | 793009008 | Looper cover supporter |
| 16 | 792027009 | Looper cover shaft |
| 17 | 792028000 | Looper cover spring |
| 18 | 000002105 | Snap ring E-3 |
| 19 | 830312016 | Caution sticker |
| 20 | 789028000 | Sticker |
| 21 | 000115205 | TP screw 4x6 |
| 22 | 792610005 | Looper cover guide (unit) |
| 23 | 792029001 | Looper cover guide |
| 24 | 000062402 | Nut M4 |
| 25 | 000103510 | Setscrew 4x10 |
| 26 | 000078320 | Setscrew 3x6 |
| 27 | 787153009 | L. cover guide supporter |
| 28 | 789610049 | Base plate (unit) |
| 29 | 789034009 | Base plate |
| 30 | 787204006 | Washer (2) |
| 31 | 000061205 | Nut 4 |
| 32 | 784135006 | Rubber cushion |
| 33 | 000070300 | Washer |
| 34 | 784169009 | Hinge screw |
| 35 | 785260004 | Washer |

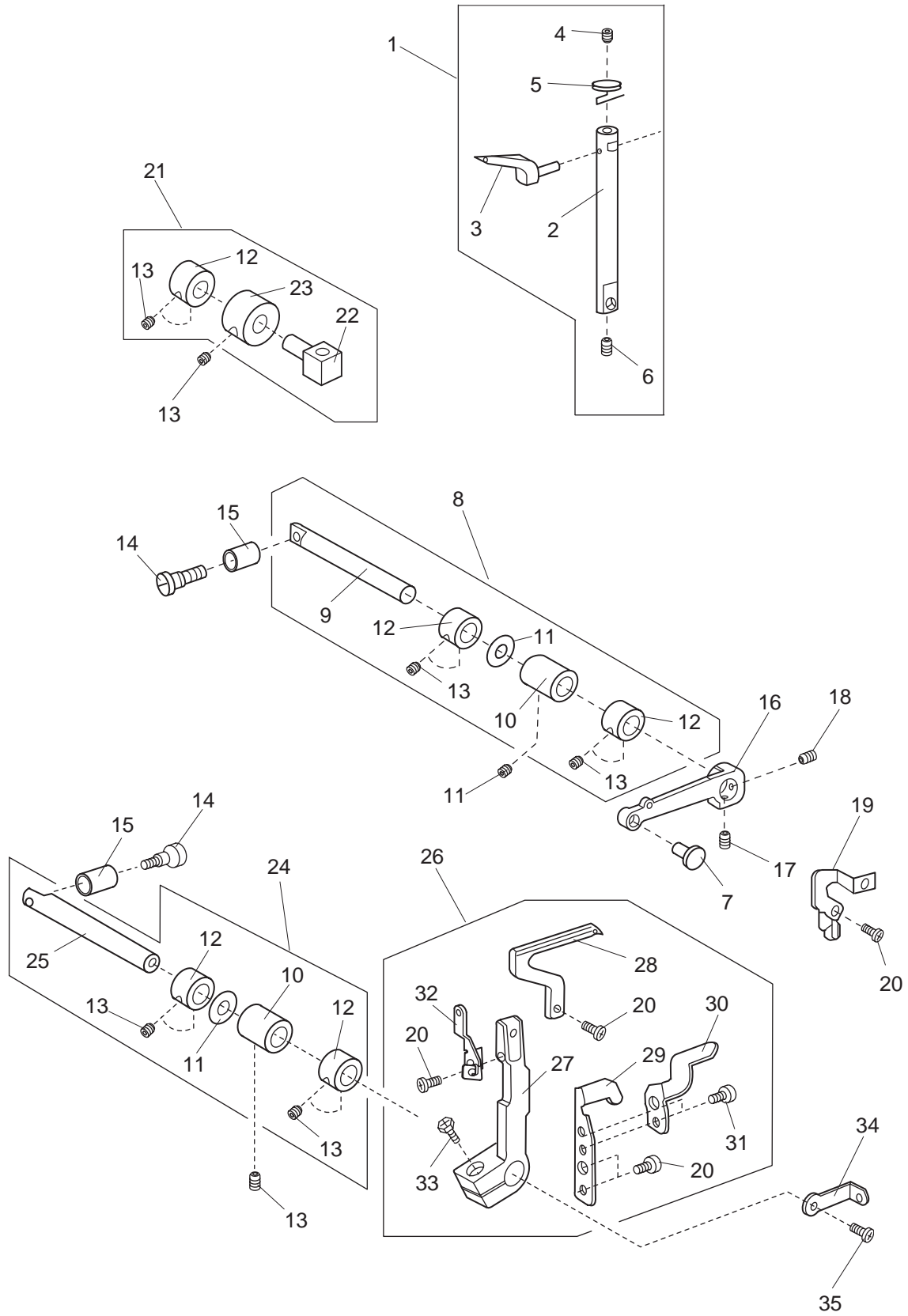
PARTS LIST



PARTS LIST

| KEY NO. | PARTS NO. | DESCRIPTION |
|------------|--------------|--------------------------------|
| 1 | 784027004 | Needle bar upper bushing |
| 2 | 000011201 | H. socket screw 4x4 |
| 3 | 784028005 | Needle bar lower bushing |
| 4 | 792601003 | Needle bar (unit) |
| 5 | 792001007 | Needle bar |
| 6 | 792501002 | Needle clamp (unit) |
| 7 | 792002008 | Needle clamp |
| 8 | 888264000 | Needle clamp screw |
| 9 | 792003009 | Needle bar thread guide |
| 10 | 000078320 | Setscrew 3x6 |
| 11 | 784157015 | Needle HAx1 SP-14 |
| 12 | 788004007 | Take-up lever |
| 13 | 000078319 | Setscrew 3x6 |
| 14 | 784024001 | Needle bar bracket |
| 15 | 793102002 | Handwheel |
| 16 | 556047007 | Washer |
| 17 | 618070004 | Screw |
| 18 | 787176101 | Balance weight (right) |
| 19 | 792037002 | Balance weight (left) |
| 20 | 789612007 | Needle bar crank (unit) |
| 21 | 789104001 | Needle bar crank |
| 22 | 000039905 | Washer |
| 23 | 789007003 | Needle bar link |
| 24 | 784022009 | Link pin |
| 25 | 000001609 | Snap ring E-5 |
| 26 | 000038502 | Washer |
| 27 | 789008004 | Needle bar crank shaft |
| 28 | 000002909 | Snap ring E-7 |
| 29 | 624245001 | Ring |
| 30 | 000101703 | Setscrew 4x12 |
| 31 | 793606001 | Needle bar balancer pin (unit) |
| 32 | 792619015 | Main shaft (unit) |
| 33 | 789001007 | Main shaft |
| 34 | 792041021 | Balance weight |
| 35 | 000111304 | H. socket screw 5x5 |
| 36 | 000038605 | Washer |
| 37 | 787004107 | Upper looper cam |
| 38 | 792951001 | Looper cam ring (unit) |
| 39 | 787007100 | Needle bar cam |
| 40 | 784011005 | Needle bar crank rod |
| 41 | 673062004 | Bushing |
| 42 | 784009000 | Bushing |

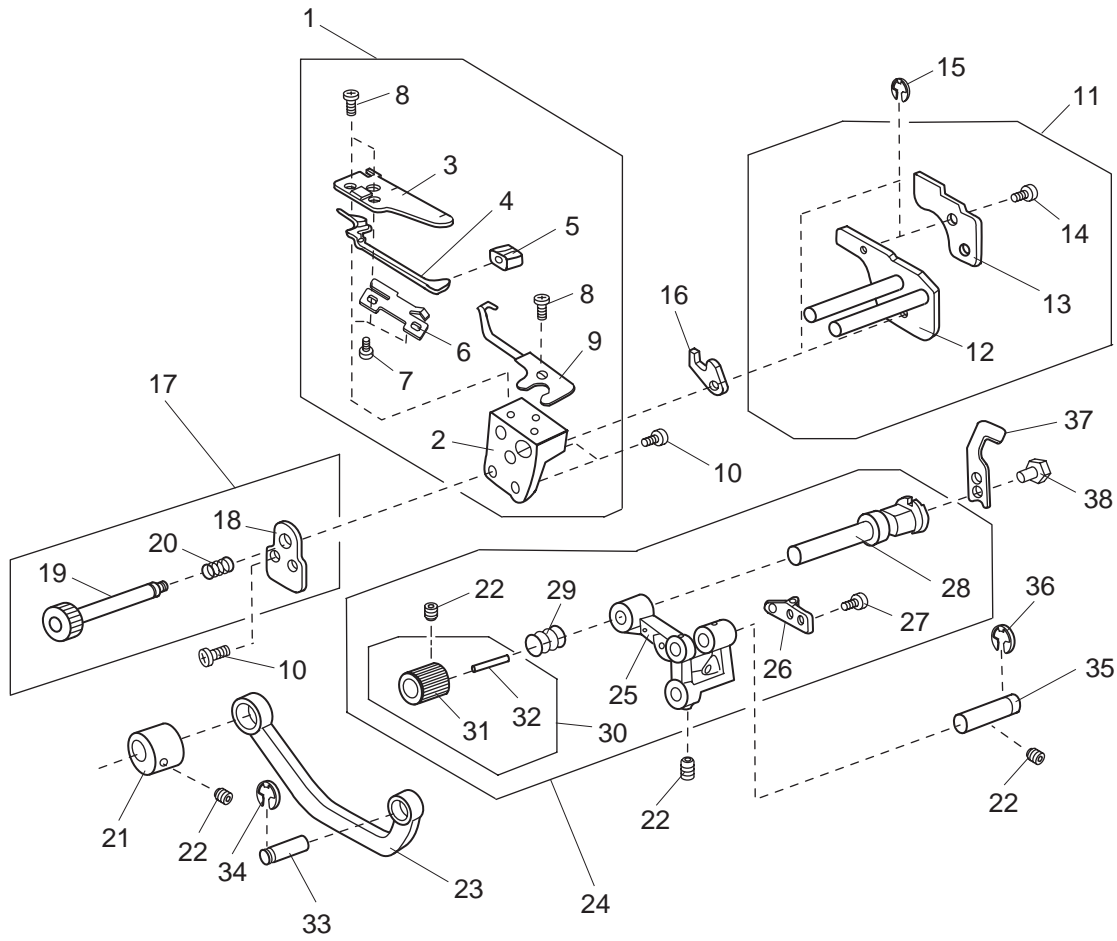
PARTS LIST



PARTS LIST

| KEY NO. | PARTS NO. | DESCRIPTION |
|------------|--------------|------------------------------|
| 1 | 792629007 | Upper looper shaft (unit) |
| 2 | 787111005 | Upper looper shaft |
| 3 | 792055006 | Upper looper |
| 4 | 000112501 | H. socket screw 4x4 |
| 5 | 784077009 | U. looper thread guide (3) |
| 6 | 000177205 | H. socket screw 3x6 |
| 7 | 789116006 | Upper looper pin |
| 8 | 792630001 | U. looper crank shaft (unit) |
| 9 | 787105006 | U. looper crank shaft |
| 10 | 787104005 | Bushing |
| 11 | 000038502 | Washer |
| 12 | 792048006 | Ring |
| 13 | 000111201 | H. socket screw 4x4 |
| 14 | 787107101 | Crank spacer |
| 15 | 787108009 | Crank setscrew |
| 16 | 789112002 | U. looper waving arm |
| 17 | 000111304 | H. socket screw 5x5 |
| 18 | 000110107 | H. socket screw 5x5 |
| 19 | 788038000 | Looper thread guide (L2) |
| 20 | 000078320 | Setscrew 3x6 |
| 21 | 792614009 | U. looper shaft guide (unit) |
| 22 | 792038003 | U. looper shaft guide |
| 23 | 792039004 | Bushing |
| 24 | 792631002 | L. looper crank shaft (unit) |
| 25 | 787116000 | L. looper crank shaft |
| 26 | 792627027 | Lower looper (unit) |
| 27 | 785024004 | L. looper base (2) |
| 28 | 792056007 | Lower looper |
| 29 | 787383000 | Rear needle guard |
| 30 | 785023003 | Front needle guard |
| 31 | 000099006 | H. socket screw 3x4 |
| 32 | 784085206 | L. looper thread guide (3) |
| 33 | 000138008 | H. socket screw 4x16 |
| 34 | 785010203 | L. looper thread guide |
| 35 | 000103004 | Setscrew 3.5x6 |

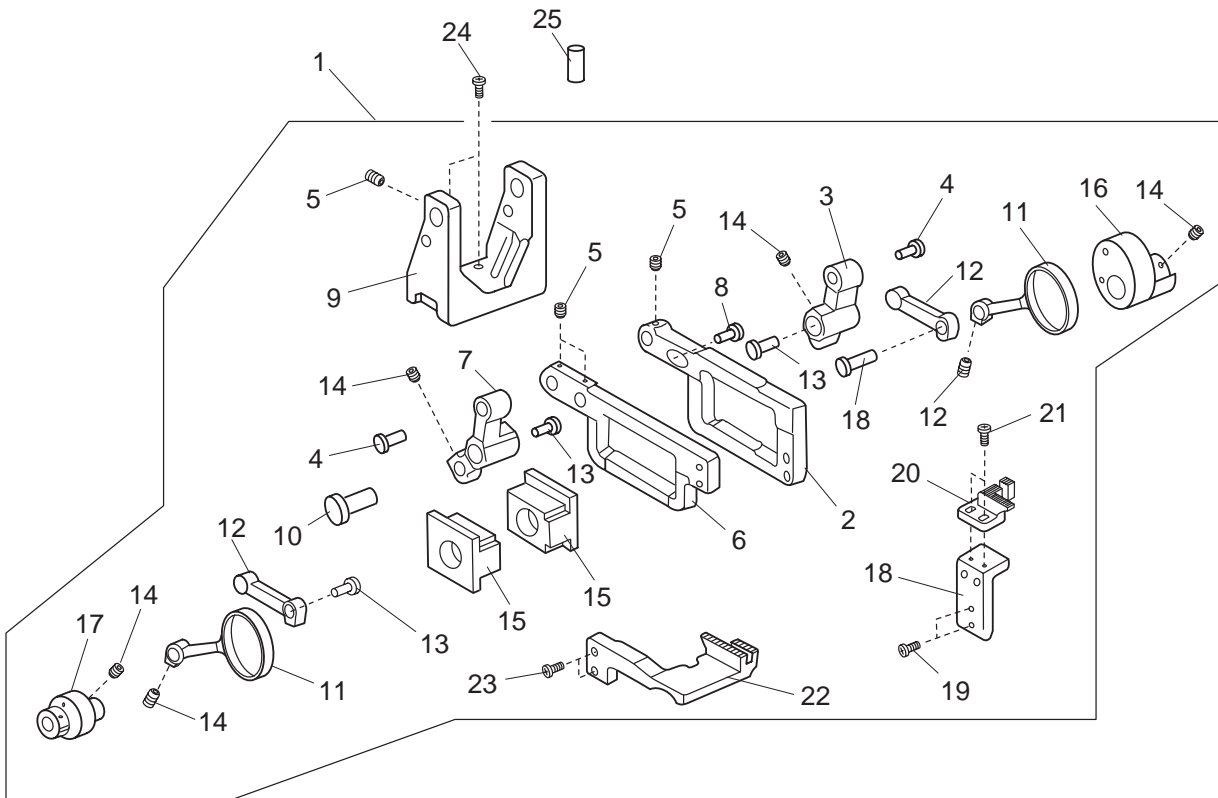
PARTS LIST



PARTS LIST

| KEY NO. | PARTS NO. | DESCRIPTION |
|------------|--------------|--------------------------------|
| 1 | 792613008 | Chaining finger bracket (unit) |
| 2 | 788015001 | Chaining finger bracket |
| 3 | 789106003 | Chaining finger set plate |
| 4 | 788017003 | Chaining finger |
| 5 | 787041003 | Needle plate setting knob |
| 6 | 788018004 | Chaining finger spring |
| 7 | 000074603 | Setscrew 2x4-2 |
| 8 | 000078320 | Setscrew 3x6 |
| 9 | 788019005 | Fixed needle guard |
| 10 | 000081005 | Setscrew 4x8 |
| 11 | 792603005 | Lower knife (unit) |
| 12 | 792005001 | Lower knife set plate |
| 13 | 788013009 | Lower knife |
| 14 | 000102221 | Setscrew 4x6 |
| 15 | 000001207 | Snap ring E-2.5 |
| 16 | 788021000 | Nuts |
| 17 | 792622000 | Lower knife guide shaft (unit) |
| 18 | 787046008 | Guide plate |
| 19 | 792007003 | Lower knife guide shaft |
| 20 | 787048000 | Spring |
| 21 | 788008001 | Upper knife drive cam |
| 22 | 000111201 | H. socket screw 4x4 |
| 23 | 789009005 | Upper knife connecting rod |
| 24 | 787635000 | Upper knife drive arm (unit) |
| 25 | 787033002 | Upper knife drive arm |
| 26 | 784041004 | Upper knife guide |
| 27 | 810220003 | Setscrew 4x6.5 |
| 28 | 784042005 | Upper knife supporter |
| 29 | 784043006 | Spring |
| 30 | 784607004 | Upper knife knob (unit) |
| 31 | 784044007 | Upper knife knob |
| 32 | 000003601 | Spring pin |
| 33 | 787012005 | Pin |
| 34 | 000001609 | Snap ring E-5 |
| 35 | 787022008 | Pin |
| 36 | 000002909 | Snap ring E-7 |
| 37 | 788127007 | Upper knife |
| 38 | 624303008 | H. bolt 4x6 |

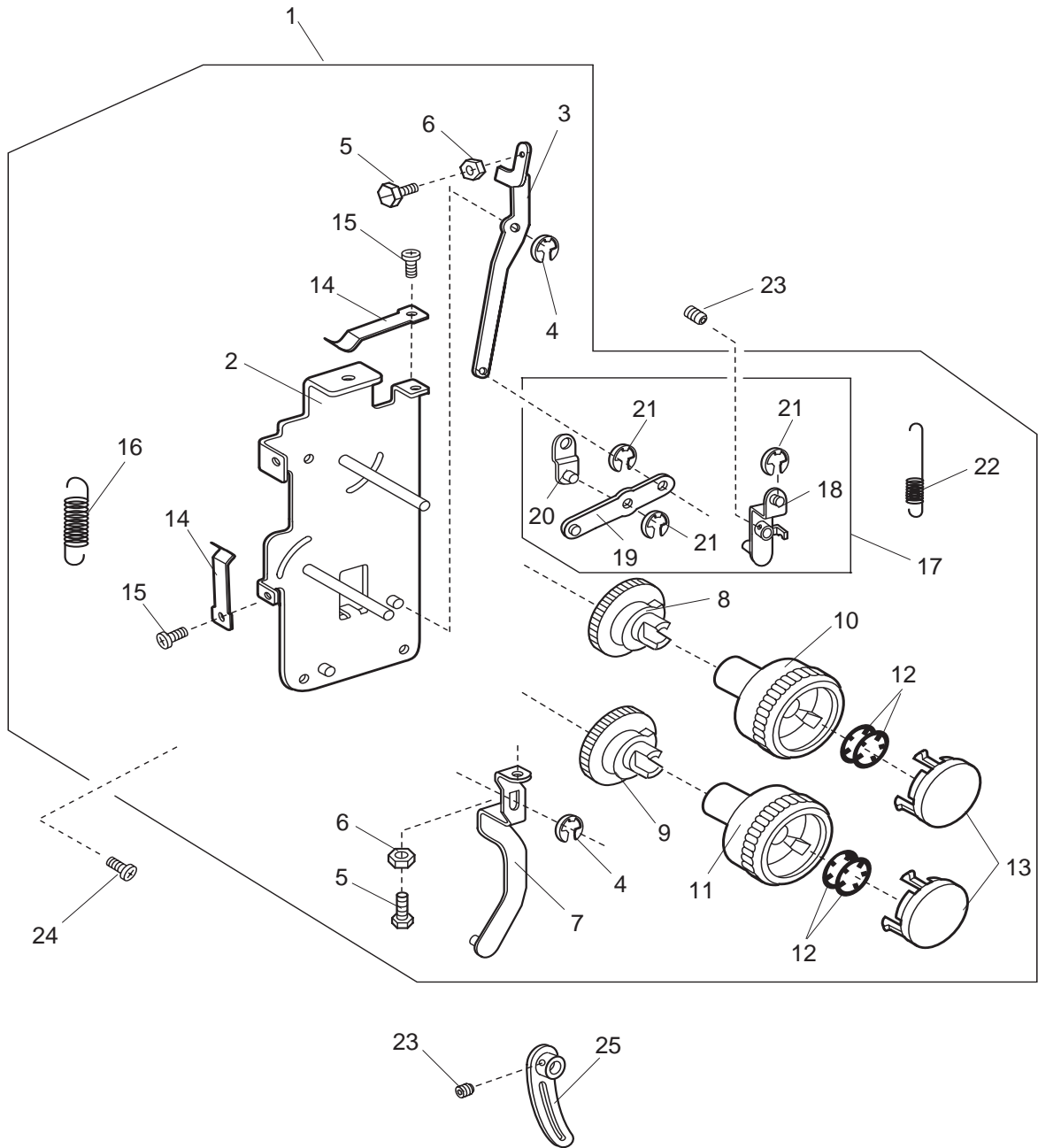
PARTS LIST



PARTS LIST

| KEY NO. | PARTS NO. | DESCRIPTION |
|------------|--------------|-------------------------|
| 1 | 792604006 | Feed bar (unit) |
| 2 | 788022001 | Main feed bar |
| 3 | 787054009 | Main feed bar drive arm |
| 4 | 787055000 | Pin |
| 5 | 000111902 | H. socket screw 3x4 |
| 6 | 788024003 | Sub feed bar |
| 7 | 787212007 | Sub feed drive arm |
| 8 | 787059004 | Pin |
| 9 | 787305008 | Feed bar base |
| 10 | 787306009 | Feed driving arm pin |
| 11 | 787065003 | Feed bar link |
| 12 | 787066004 | Feed rocking link |
| 13 | 787068006 | Pin |
| 14 | 000111201 | H. socket screw 4x4 |
| 15 | 792008004 | Block |
| 16 | 787072003 | Main feed drive cam |
| 17 | 787073004 | Sub feed drive cam |
| 18 | 788023002 | Main feed dog bracket |
| 19 | 000068811 | Setscrew 3.5x10 |
| 20 | 788027006 | Main feed dog |
| 21 | 000066705 | Setscrew 3x8 |
| 22 | 789018007 | Sub feed dog |
| 23 | 000104201 | Setscrew 3.5x10 |
| 24 | 000201405 | TP screw 4x16 |
| 25 | 000005304 | Pin |

PARTS LIST

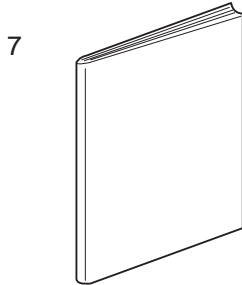
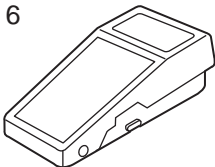
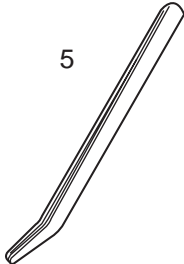
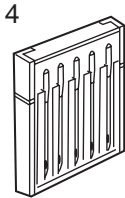
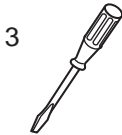
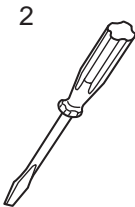
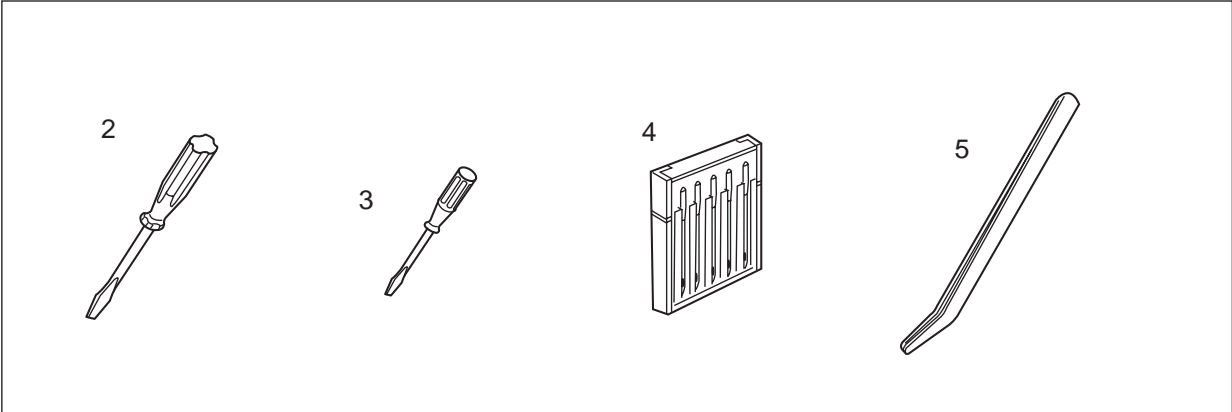


PARTS LIST

| KEY NO. | PARTS NO. | DESCRIPTION |
|------------|--------------|---------------------------|
| 1 | 792606008 | Feed adjuster (unit) |
| 2 | 792012001 | Set plate |
| 3 | 792013002 | Feed rod |
| 4 | 000001609 | Snap ring E-5 |
| 5 | 785224006 | Adjustable screw |
| 6 | 000160102 | Adjustable nut |
| 7 | 792014003 | Differential rod |
| 8 | 792015004 | S. length adj. cam |
| 9 | 788036008 | Dif. adj. cam |
| 10 | 792016108 | S. length dial |
| 11 | 792016153 | Dif. dial |
| 12 | 000013800 | Snap ring CS-6 |
| 13 | 787262301 | Dial cap |
| 14 | 787263003 | Spring |
| 15 | 000081119 | Setscrew 4x6 |
| 16 | 787259006 | Spring |
| 17 | 792605007 | Main feed con. arm (unit) |
| 18 | 792040008 | Main feed con. arm |
| 19 | 787266006 | Feed con. plate |
| 20 | 788031003 | Dif. transfer arm |
| 21 | 000002105 | Snap ring E-3 |
| 22 | 792011000 | Spring |
| 23 | 000111201 | H. socket screw 4x4 |
| 24 | 000081005 | Setscrew 4x8 |
| 25 | 788032107 | Sub feed con. arm |

PARTS LIST

1



PARTS LIST

| KEY NO. | PARTS NO. | DESCRIPTION |
|------------|--------------|---------------------|
| 1 | 793870101 | Accessories (unit) |
| 2 | 784810002 | Screwdriver |
| 3 | 792030005 | Screwdriver (small) |
| 4 | 784860100 | Needle case (unit) |
| 5 | 624801001 | Tweezer |
| 6 | C-1028 | Controller |
| 7 | 793880214 | Instruction book |
