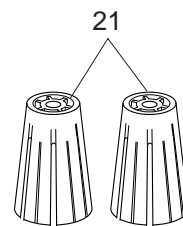
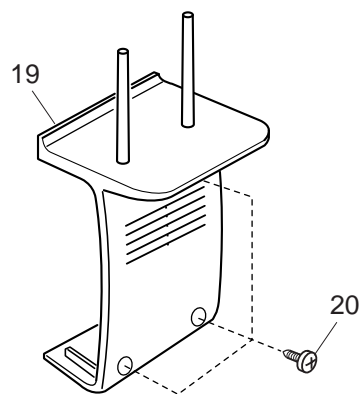
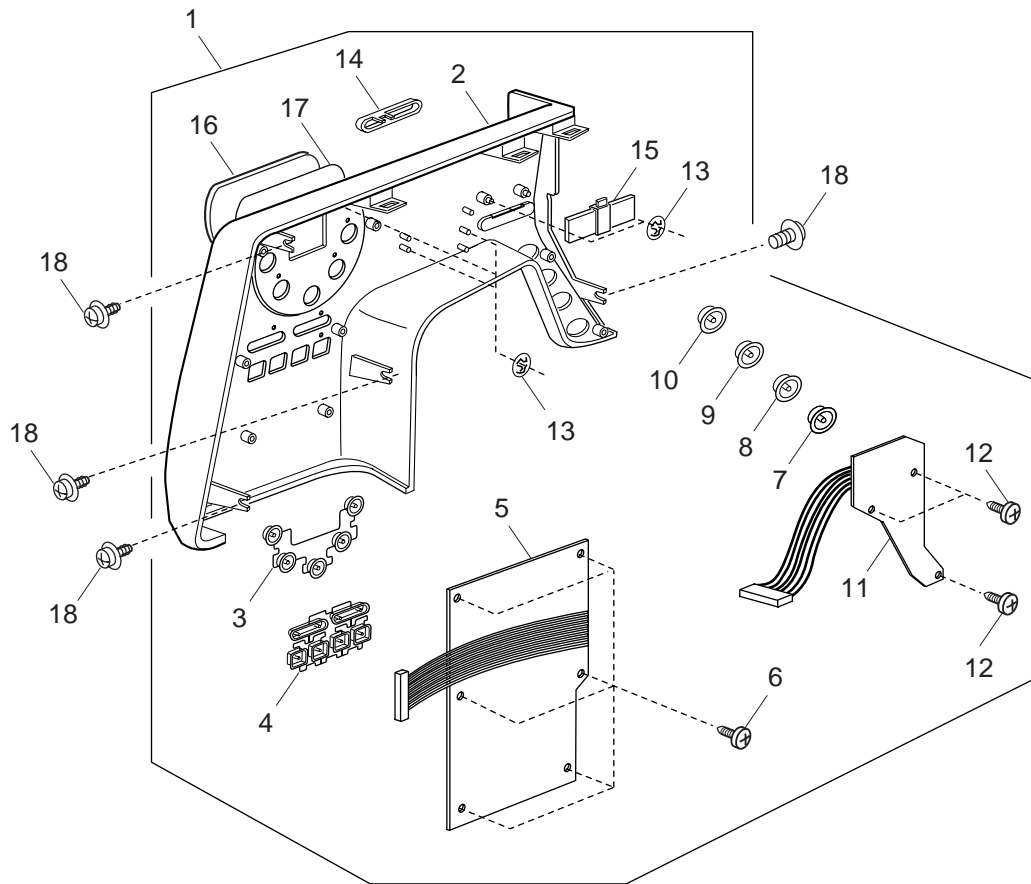


# **PARTS LIST**

**MODEL: QS60**

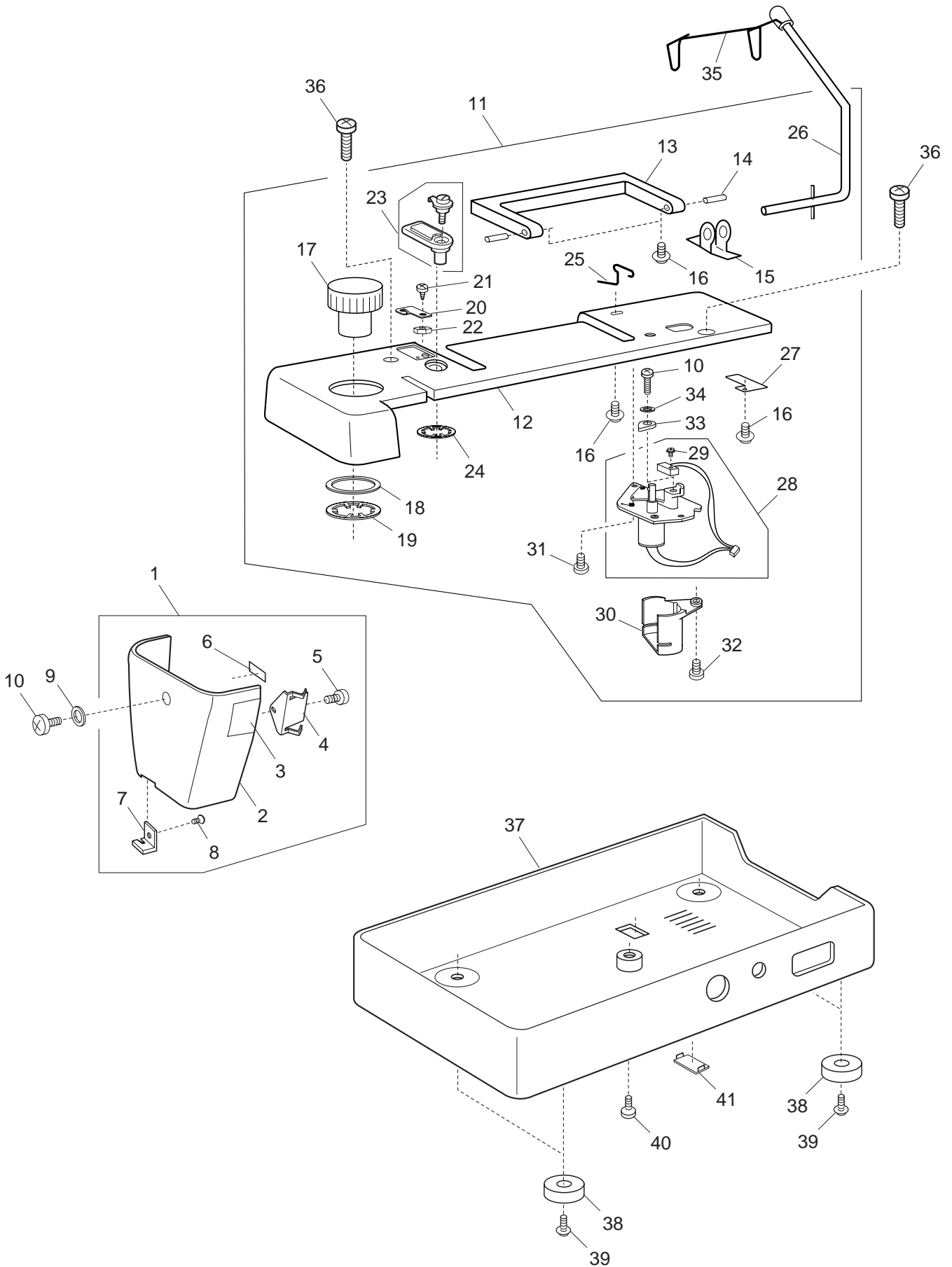
# PARTS LIST



## PARTS LIST

KEY NO.	PARTS NO.	DESCRIPTION
1	846667041	Front cover (unit)
2	846265908	Front cover
3	846266301	Button 2
4	846267128	Button 3
5	846540003	Printed circuit board K (unit)
6	000120203	Setscrew 3x8 (B)
7	846008602	Button 1 (Reverse)
8	846008705	Button 1 (Lock stitch)
9	846008808	Button 1 (Needle Up/down)
10	846008901	Button 1 (Thread cutter)
11	846535005	Printed circuit board F (unit)
12	000120801	Setscrew 2.6x8
13	000014306	Snap ring CS-3
14	846009005	Speed control slider
15	653507082	Slide volume (unit)
16	846268130	Stitch pattern panel
17	846270009	Stitch pattern panel sheet
18	000115205	TP setscrew 4x6
19	846023005	Motor cover
20	000160515	Setscrew 4x12
21	784223105	Spool supporter

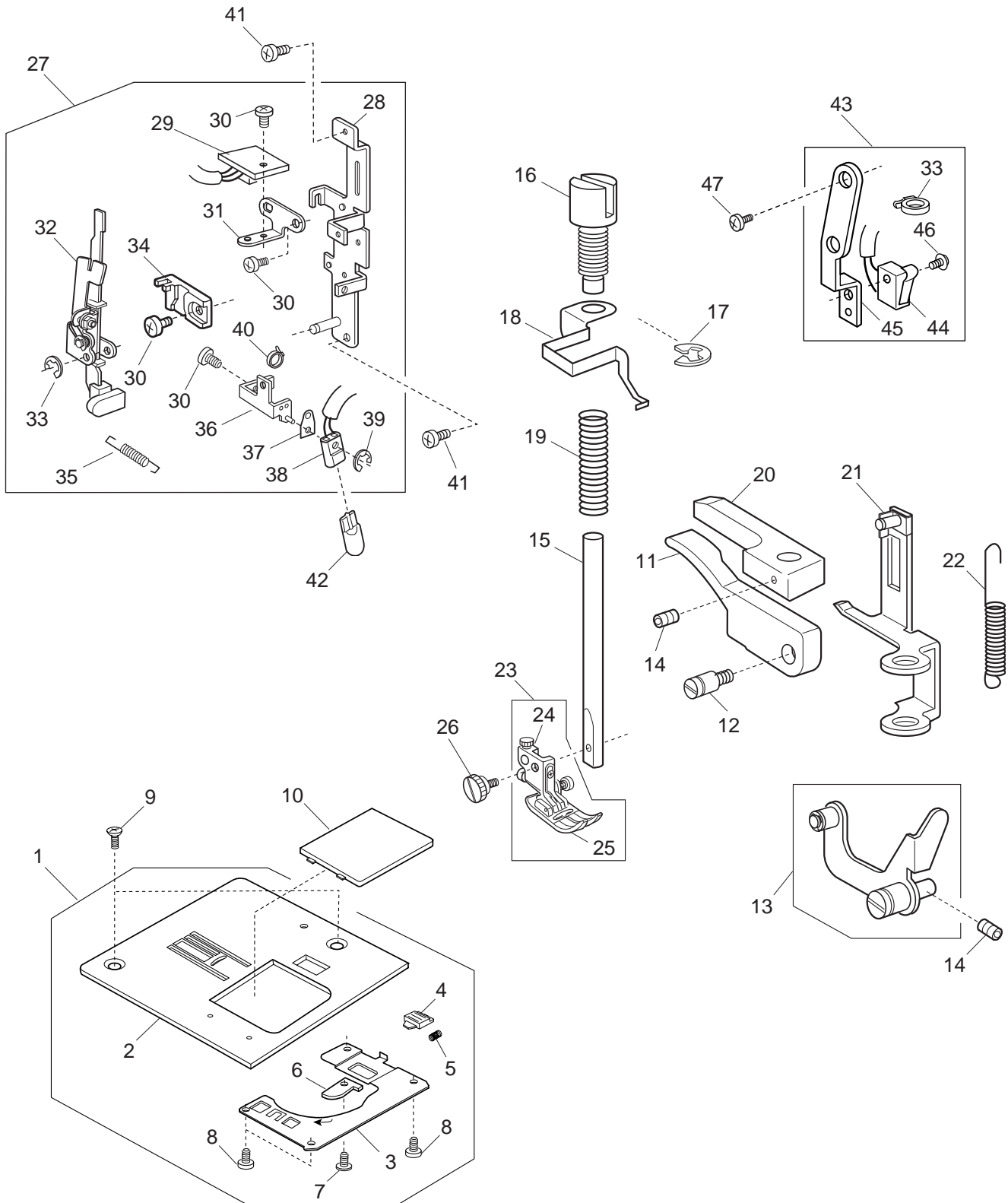
# PARTS LIST



# PARTS LIST

KEY NO.	PARTS NO.	DESCRIPTION
1	846602602	Face plate (unit)
2	846011103	Face plate
3	846012207	Presser foot pressure indicator window
4	846013002	Presser plate
5	000103004	Setscrew 3.5x6
6	100411207	Sticker
7	840602109	Thread cutter (unit)
8	000095105	Setscrew 3x5
9	000071024	Washer 4
10	000104119	Setscrew 4x20
11	846603038	Top cover (unit)
12	846014922	Top cover
13	846015004	Carrying handle
14	846016005	Carrying handle support pin
15	846227001	Carrying handle spring
16	000115205	TP setscrew 4x6
17	846017109	Presser foot pressure adjusting dial
18	846018007	Washer
19	000017907	Snap ring CS-20
20	846654001	Top cover thread guide (2) (unit)
21	000078319	Setscrew 3x6
22	000060857	Nut
23	846604006	Thread guide (unit)
24	000014409	Snap ring CS-8
25	846021003	Top cover thread guide (3)
26	846605007	Thread guide stand (unit)
27	846022004	Thread guide stand spring
28	846606008	Bobbin winder (unit)
29	000078700	Setscrew 2x8
30	846179007	Bobbin winder motor cover
31	000101404	Setscrew 4x6
32	000103509	Setscrew 4x10
33	846177005	Bobbin winder stopper
34	000071013	Washer 4
35	846197001	Thread guide
36	000080901	Setscrew 4x25
37	846025100	Base
38	605074008	Rubber foot
39	000197407	TP setscrew 4x12
40	000103509	Setscrew 4x10
41	832168000	Base lid (3)

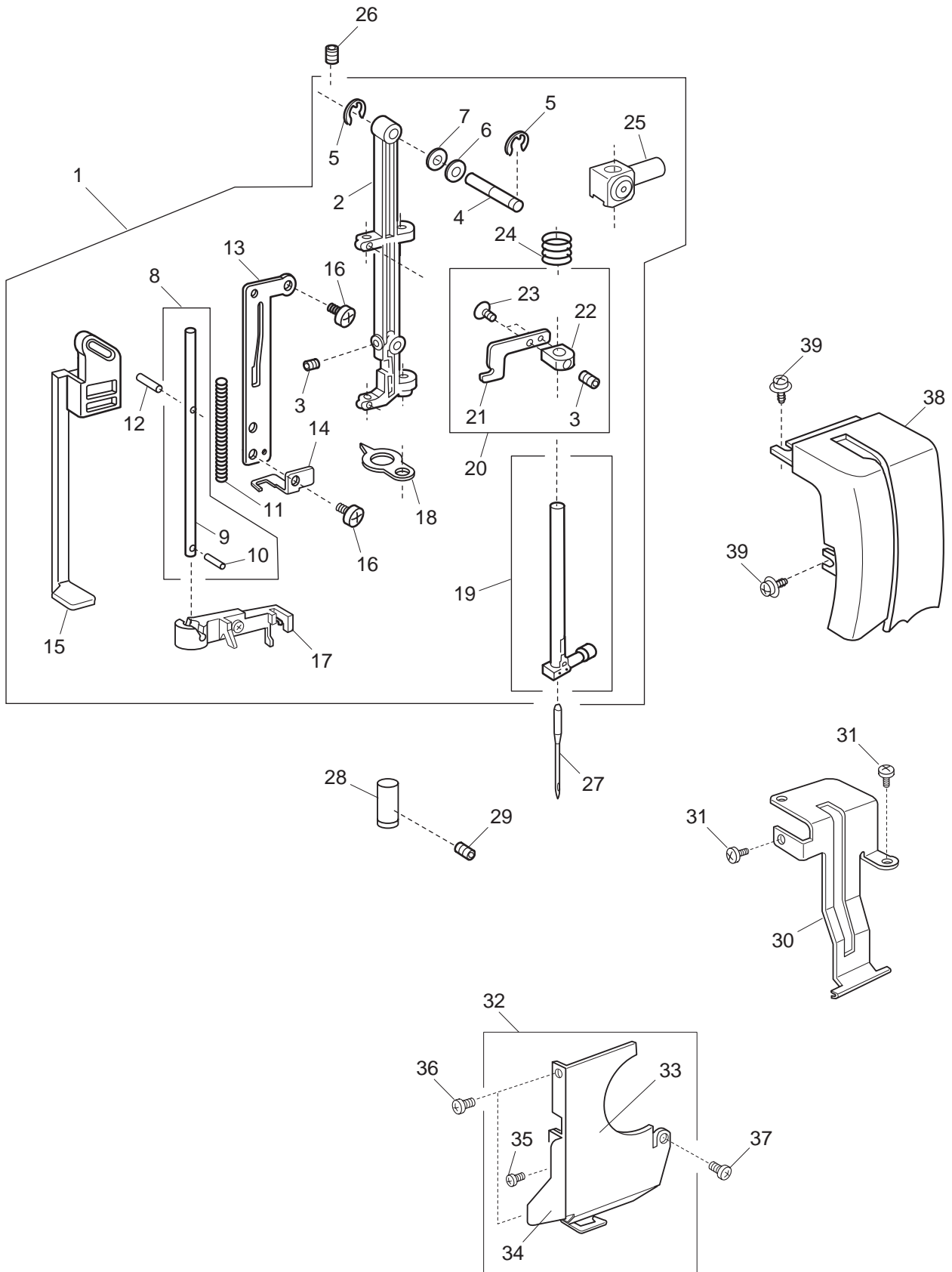
# PARTS LIST



## PARTS LIST

KEY NO.	PARTS NO.	DESCRIPTION
1	846607009	Needle plate (unit)
2	846029001	Needle plate
3	846030016	Hook cover plate supporter
4	825016000	Hook cover plate release button
5	825017001	Spring
6	846222006	Rotation stopper
7	000097613	Setscrew 2x4
8	820374004	Setscrew 2x2.3
9	502213009	Setscrew
10	846271103	Hook cover plate
11	846031006	Presser foot lifter
12	846033101	Hinge screw (1)
13	846608000	Thread tension release lever (unit)
14	000111201	Hexagonal socket screw 4x4
15	350804006	Presser bar
16	846042103	Presser foot pressure adjusting screw
17	000002208	Snap ring E-9
18	846041102	Presser foot pressure indicator
19	846040008	Presser bar spring
20	846039004	Presser bar supporter
21	846038003	Presser foot lifter
22	846037002	Spring
23	829515006	Presser foot (unit)
24	804509000	Presser foot holder
25	832523007	Zigzag foot
26	647112009	Thumbscrew
27	846609001	Front bracket (unit)
28	846043001	Front bracket
29	852502703	Printed circuit board G1 (unit)
30	000101105	Setscrew 3x4
31	846044002	Sensor set plate
32	843625004	Buttonhole lever (unit)
33	000002105	Snap ring E-3
34	830057021	Buttonhole lever guide
35	846240000	Spring
36	846045003	Lamp set plate
37	846226000	Lamp socket spring
38	843508000	Lamp socket (unit)
39	000002301	Snap ring E-2
40	000053008	Cord binder
41	000081005	Setscrew 4x8
42	000026002	Wedge base lamp 12V 5W
43	846610005	Presser foot lifter switch (unit)
44	660518402	Micro switch (unit)
45	846046004	Presser foot lifter switch set plate
46	000115308	TP setscrew 2x8
47	000101404	Setscrew 4x6

# PARTS LIST

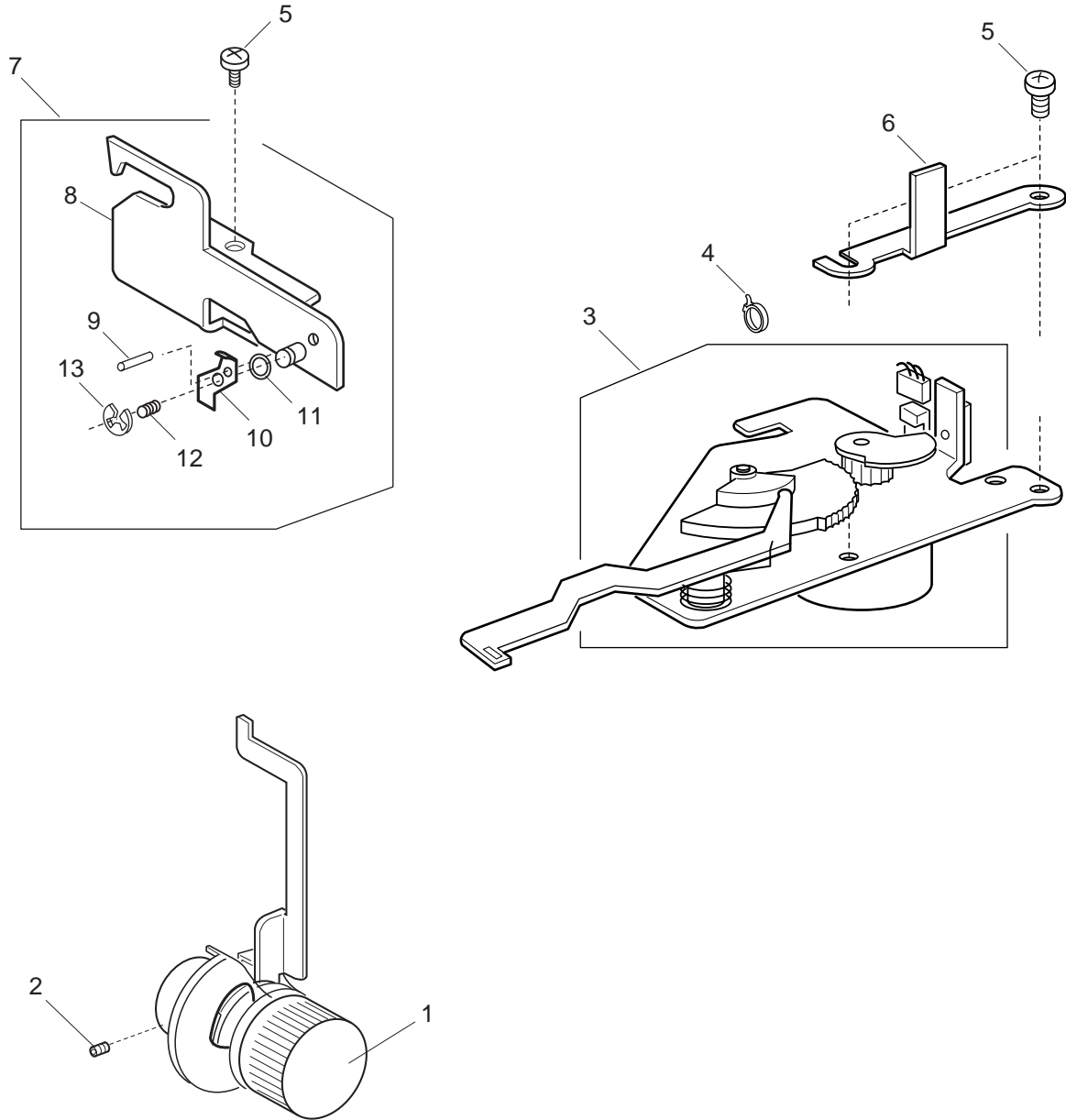




# PARTS LIST

KEY NO.	PARTS NO.	DESCRIPTION
1	846611109	Needle bar supporter (unit)
2	846047005	Needle bar supporter
3	000111902	Hexagonal socket screw 3x4
4	735144006	Needle bar supporter pin
5	000002507	Snap ring E-4
6	000070609	Washer 6
7	673022002	Washer
8	846612007	Threader shaft (unit)
9	846048006	Threader shaft
10	000003508	Knock pin 2x8
11	840035002	Needle threader spring
12	000125105	Pin
13	840033000	Threader guide plate
14	840037004	Threader lever plate
15	840034001	Threader lever
16	000078319	Setscrew 3x6
17	755643002	Threader plate (unit)
18	829027006	Supporter guide plate
19	846613101	Needle bar (unit)
20	846614009	Threader positioning setting plate (unit)
21	846196000	Threader positioning setting plate
22	734102009	Threader positioning setting block
23	000097602	Setscrew 2x4
24	846190004	Needle bar supporter spring
25	846515009	Needle bar connecting stud (unit)
26	000111201	Hexagonal socket screw 4x4
27	102408089	Needle HA1-14
28	827083004	Pin
29	000216805	Hexagonal socket screw 3x3
30	846049007	Arm thread guide (1)
31	000101404	Setscrew 4x6
32	846644008	Arm thread guide (2) (unit)
33	846050001	Arm thread guide (2)
34	846207005	Face plate guide
35	000101105	Setscrew 3x4
36	000081119	Setscrew 4x6
37	000078342	Setscrew 3x6
38	846051105	Thread guide cover
39	000115607	TP setscrew 4x8

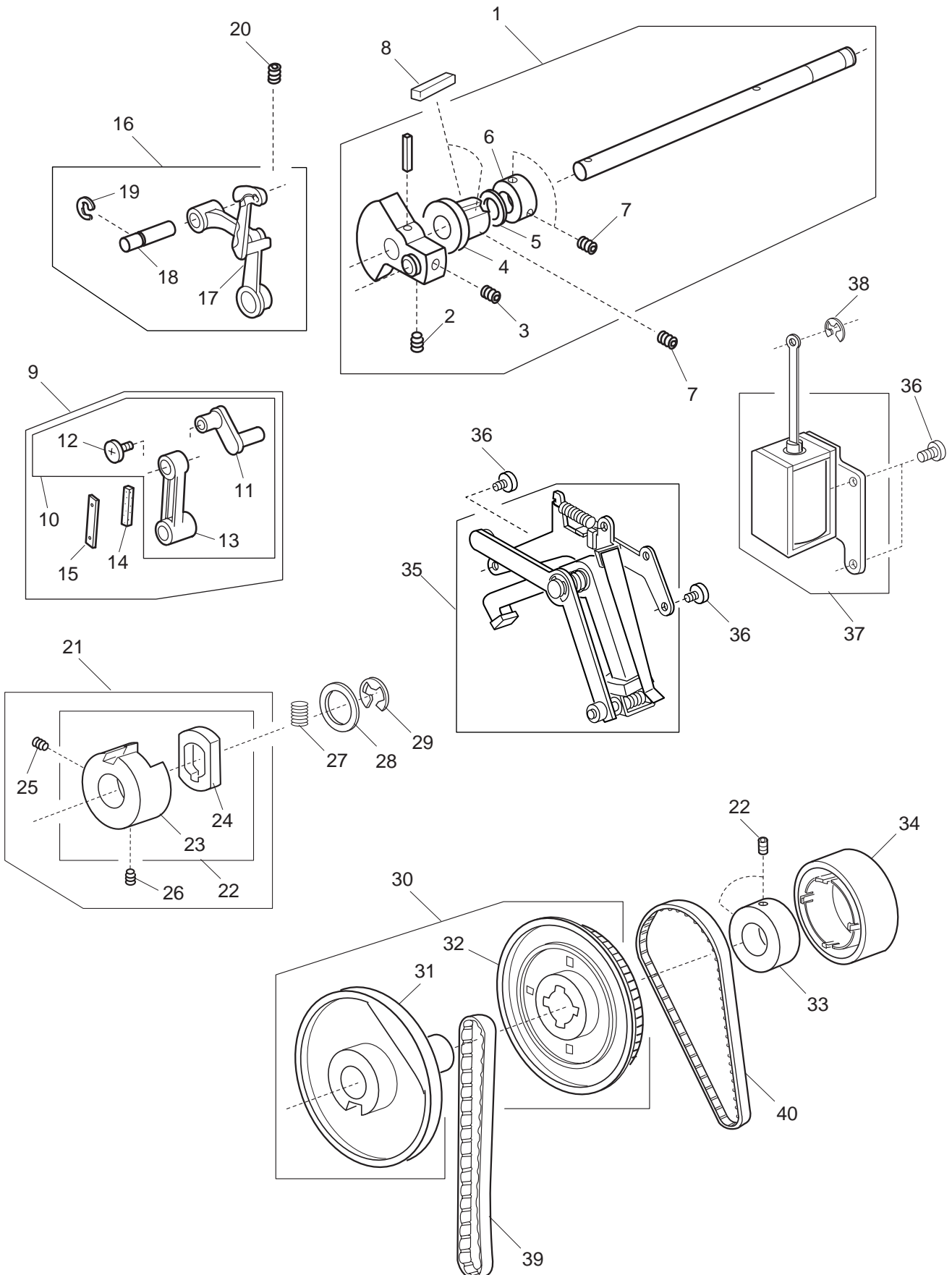
# PARTS LIST



# PARTS LIST

KEY NO.	PARTS NO.	DESCRIPTION
1	846516206	Thread tension (unit)
2	000111201	Hexagonal socket screw 4x4
3	846616001	Thread tension release motor (unit)
4	000053008	Cord binder
5	000081005	Setscrew 4x8
6	846229003	Front cover set plate
7	846619004	Top cover thread guide (unit)
8	846070007	Top cover thread guide
9	000020109	Spring pin
10	846071008	Pre-tension plate
11	825303007	Washer
12	846261007	Pre-tension spring
13	000002301	Snap ring E-2

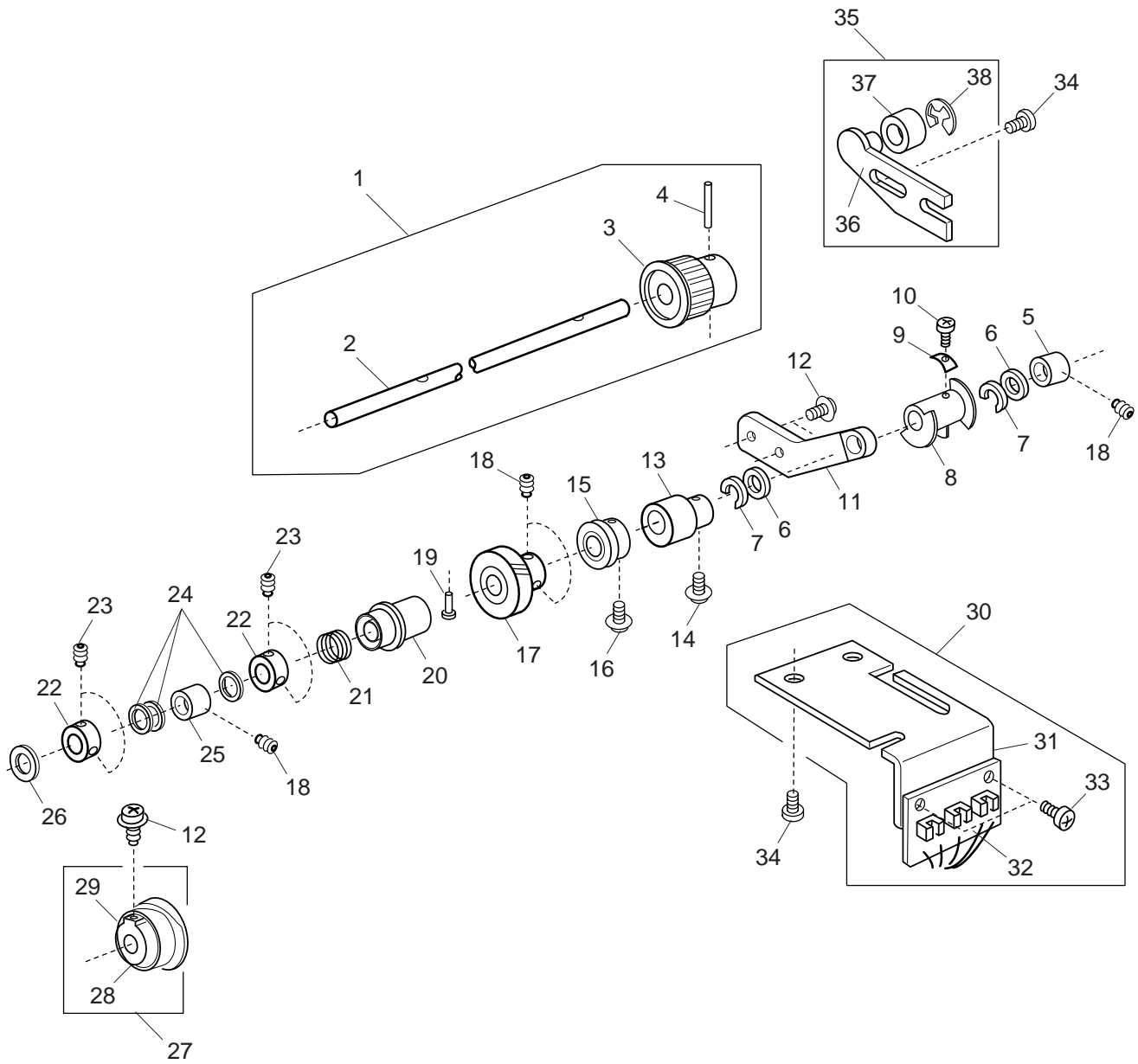
# PARTS LIST



# PARTS LIST

KEY NO.	PARTS NO.	DESCRIPTION
1	846620008	Upper shaft (unit)
2	102073003	Setscrew
3	761052007	Setscrew
4	670079108	Upper shaft front bushing
5	000035901	Washer 13x0.5
6	658019009	Ring
7	000111304	Hexagonal socket screw 5x5
8	731312005	Felt
9	846615103	Needle bar crank (unit)
10	843543007	Needle bar crank pin (unit)
11	652143005	Needle bar crank pin
12	647139002	Needle bar crank pin cap
13	650039001	Needle bar crank rod
14	650040005	Felt
15	650041006	Spring
16	846656003	Thread take-up lever (unit)
17	820511108	Thread take-up lever (unit)
18	502044007	Thread take-up lever pin
19	000002806	Snap ring E-6
20	000111201	Hexagonal socket screw 4x4
21	846650007	Clutch base (unit)
22	846520007	Clutch base (unit)
23	846077004	Clutch base
24	846078005	Connecting block
25	000177607	Hexagonal socket screw 5x8
26	000111706	Hexagonal socket screw 5x8
27	846079006	Clutch spring
28	846191005	Washer
29	000030009	Snap ring E-10
30	846523000	Belt wheel (unit)
31	846189000	Clutch cam
32	846080000	Belt wheel
33	846082002	Ring
34	846081104	Handwheel
35	846621009	Clutch base plate (unit)
36	000081005	Setscrew 4x8
37	846623001	Solenoid set plate (unit)
38	000002105	Snap ring E-3
39	846098001	Timing belt
40	846188009	Timing belt

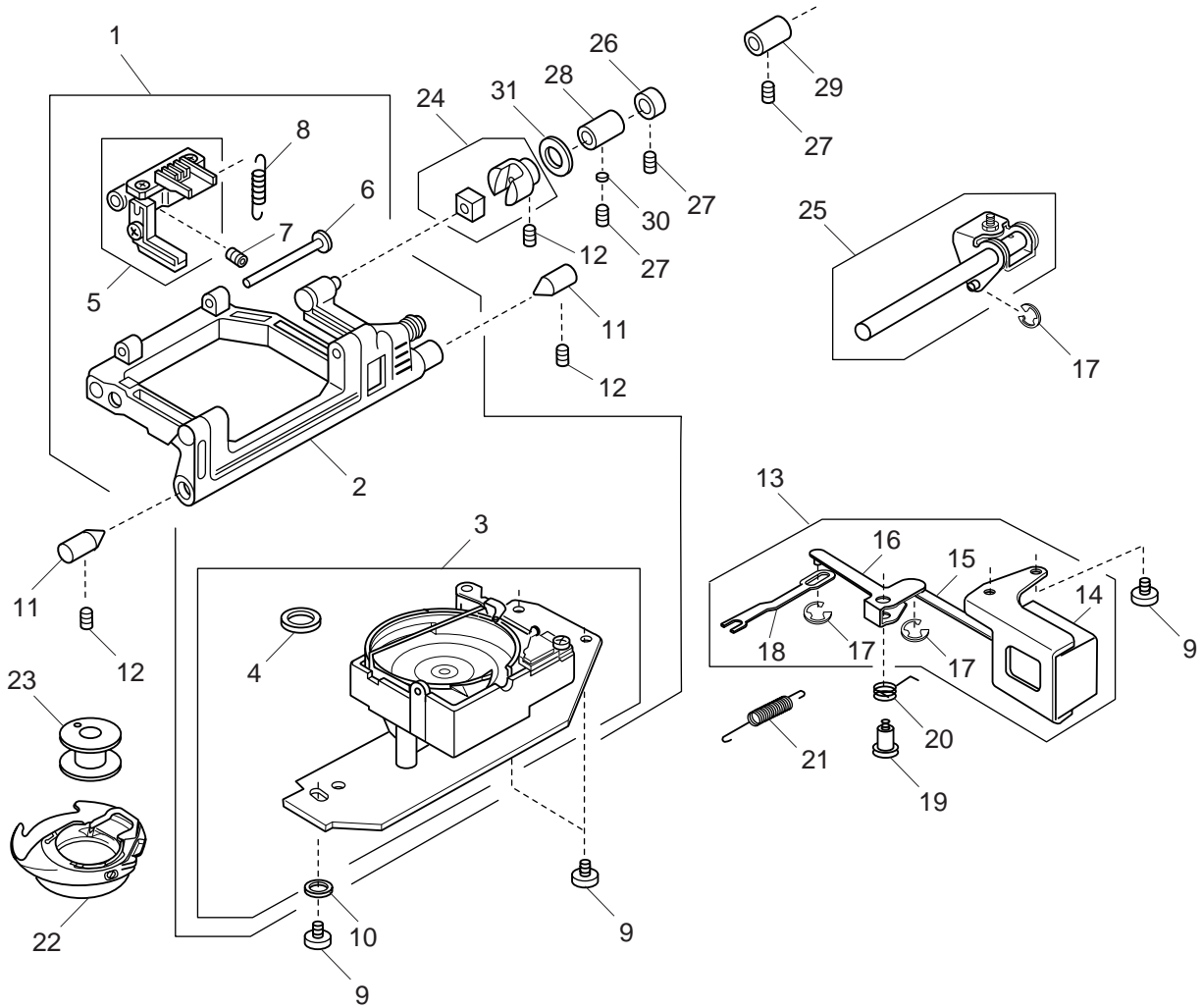
# PARTS LIST



# PARTS LIST

KEY NO.	PARTS NO.	DESCRIPTION
1	846625003	Lower shaft (unit)
2	846100007	Lower shaft
3	650073007	Lower shaft gear
4	000004200	Knock pin 3x18
5	650079003	Lower shaft bushing (rear)
6	822070003	Felt (1)
7	822112008	Felt holder
8	846101008	Lower shaft shielding plate
9	846192006	Washer
10	000080406	Setscrew 3x10
11	846163008	Lower shaft supporter
12	000114802	Setscrew TP 4x12
13	846379009	Feed cam
14	000149600	Setscrew 3x14
15	846104001	Thread drawing lever cam
16	000115906	Setscrew TP 3x12
17	650076000	Lower shaft gear
18	000111304	Hexagonal socket screw 5x5
19	820161006	Feed lifting pin
20	846103000	Feed lifting cam
21	825093001	Feed lifting cam spring
22	820166001	Lower shaft ring
23	000111201	Hexagonal socket screw 4x4
24	000038502	Washer 8x0.5
25	650078002	Lower shaft bushing (front)
26	735143005	Felt
27	846626004	Cam (unit)
28	846105002	Cam (1)
29	846198002	Cam (2)
30	846627005	Lower shaft sensor (unit)
31	846102009	Sensor set plate
32	846507008	Printed circuit board P (unit)
33	000101105	Setscrew 3x4
34	000081005	Setscrew 4x8
35	846624105	Idler (unit)
36	846254007	Idler base
37	625217100	Idler
38	000002806	Snap ring E-6

# PARTS LIST

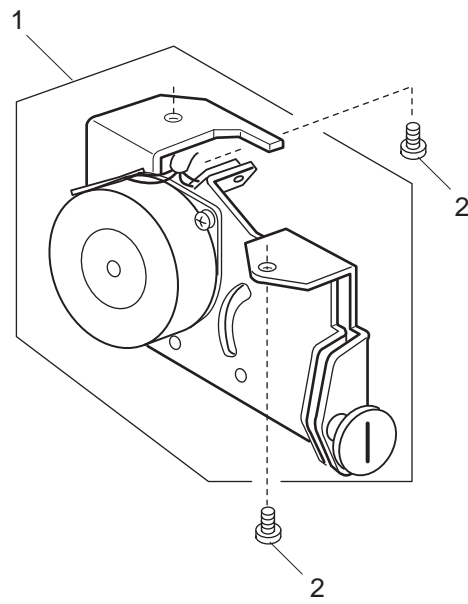
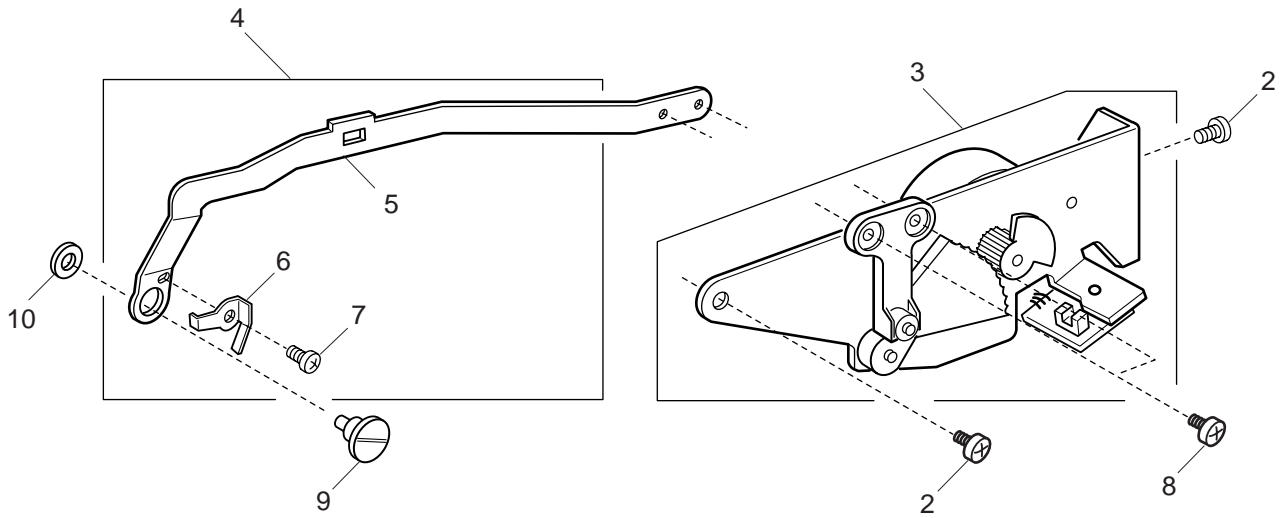




## PARTS LIST

KEY NO.	PARTS NO.	DESCRIPTION
1	846628006	Feed lock shaft (unit)
2	846629100	Feed lock shaft (unit)
3	846653000	Hook race (unit)
4	627190010	Magnet
5	846651008	Feed dog set base (unit)
6	825099007	Pin
7	000111407	Hexagonal socket screw 4x6
8	825103005	Feed base spring
9	000081005	Setscrew 4x8
10	000070506	Washer 4
11	738055008	Straight pin
12	000111304	Hexagonal socket screw 5x5
13	846633004	Bobbin stopper solenoid (unit)
14	846509114	Solenoid (unit)
15	832089017	Solenoid rod (B)
16	846116006	Bobbin stopper converting arm
17	000002105	Snap ring E-3
18	846117007	Bobbin stopper rod
19	846220004	Hinge screw
20	846148007	Arm spring
21	846118008	Safety spring
22	846652009	Bobbin holder (unit)
23	102261103	Bobbin
24	625508008	Feed regulator (unit)
25	846634005	Feed shaft (unit)
26	820387000	Ring
27	000111201	Hexagonal socket screw 4x4
28	625144002	Feed shaft bushing (front)
29	650092002	Feed shaft bushing (rear)
30	650175000	Cushion
31	823110009	Felt

# PARTS LIST



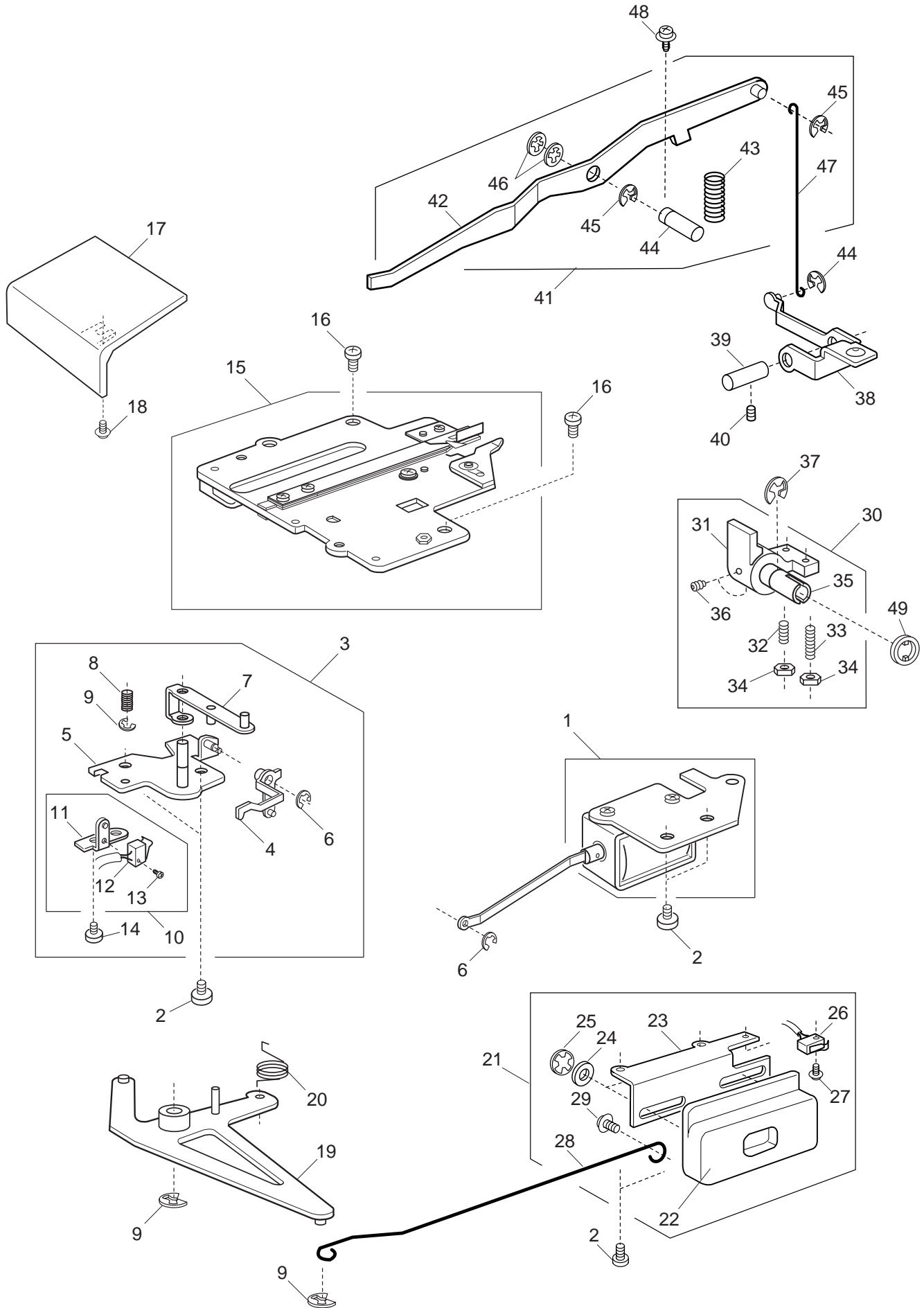
# PARTS LIST

---

KEY NO.	PARTS NO.	DESCRIPTION
1	846635006	Feed motor (unit)
2	000081005	Setscrew 4x8
3	846637008	Zigzag width motor (unit)
4	846639000	Zigzag width rod (unit)
5	846137003	Zigzag width rod
6	827088009	Zigzag width rod spring
7	820373003	Setscrew 2x3
8	000078319	Setscrew 3x6
9	678084007	Eccentric pin
10	653037008	Washer

---

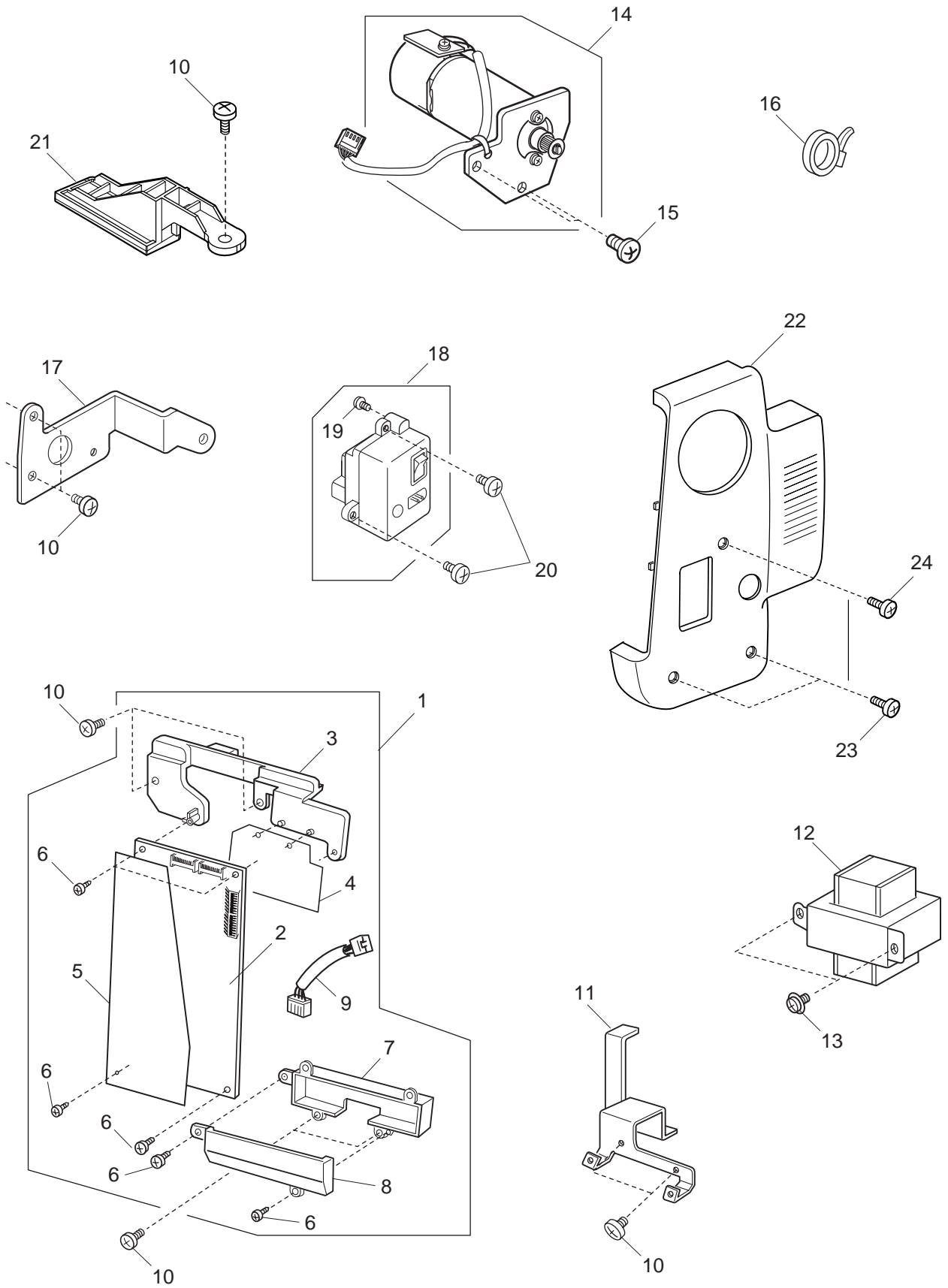
# PARTS LIST



# PARTS LIST

KEY NO.	PARTS NO.	DESCRIPTION
1	846586001	Thread cutter solenoid (unit)
2	000081005	Setscrew 4x8
3	846641005	Drive link (unit)
4	846139005	Drive link
5	846147006	Driving arm shaft base
6	000002105	Snap ring E-3
7	846233000	Driving arm (1)
8	846154006	Spring
9	000002507	Snap ring E-4
10	846642006	Thread cutter sensor (unit)
11	846158000	Thread cutter sensor base
12	846513007	Micro switch (unit)
13	000078700	Setscrew 2x8
14	000101105	Setscrew 3x4
15	846643100	Thread cutter (unit)
16	000101404	Setscrew 4x6
17	846195009	Thread cutter cover
18	000115205	TP setscrew 4x6
19	846026008	Drop feed lever
20	846214005	Drop feed lever spring
21	846645009	Feed dog drop lever (unit)
22	846027009	Feed dog drop lever
23	846211002	Feed dog drop lever set plate
24	000072003	Washer
25	000013903	Snap ring CS-5
26	660518505	Micro switch (unit)
27	000115308	TP Setscrew 2x8
28	846028000	Rod
29	000109309	Setscrew 3x10
30	846646103	Knee lifter lever (1) (unit)
31	846167002	Knee lifter lever (1)
32	000178505	Hexagonal socket screw 5x25
33	000179104	Hexagonal socket screw 5x30
34	000061412	Nut
35	846166104	Knee lifter shaft
36	000111706	Hexagonal socket screw 5x8
37	000002208	Snap ring E-9
38	846168003	Knee lifter lever (2)
39	846169004	Supporter shaft
40	000111201	Hexagonal socket screw 4x4
41	846581109	Knee lifter lever (3) (unit)
42	846336107	Knee lifter lever (3)
43	846173001	Knee lifter lever spring
44	767062008	Knee lifter lever shaft
45	000001609	Snap ring E-5
46	000013800	Snap ring CS-6
47	846170008	Presser foot lifter drag rod
48	000115700	TP Setscrew 4x10
49	846297002	Knee lifter slip guard

# PARTS LIST

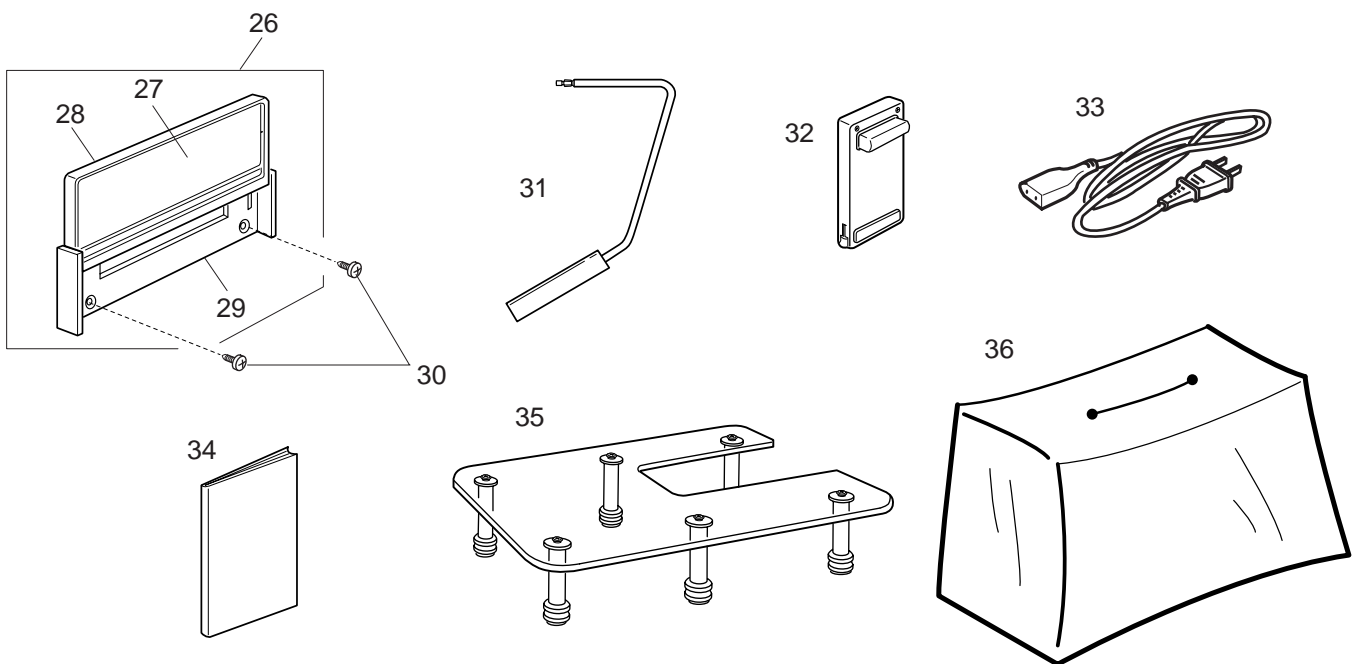
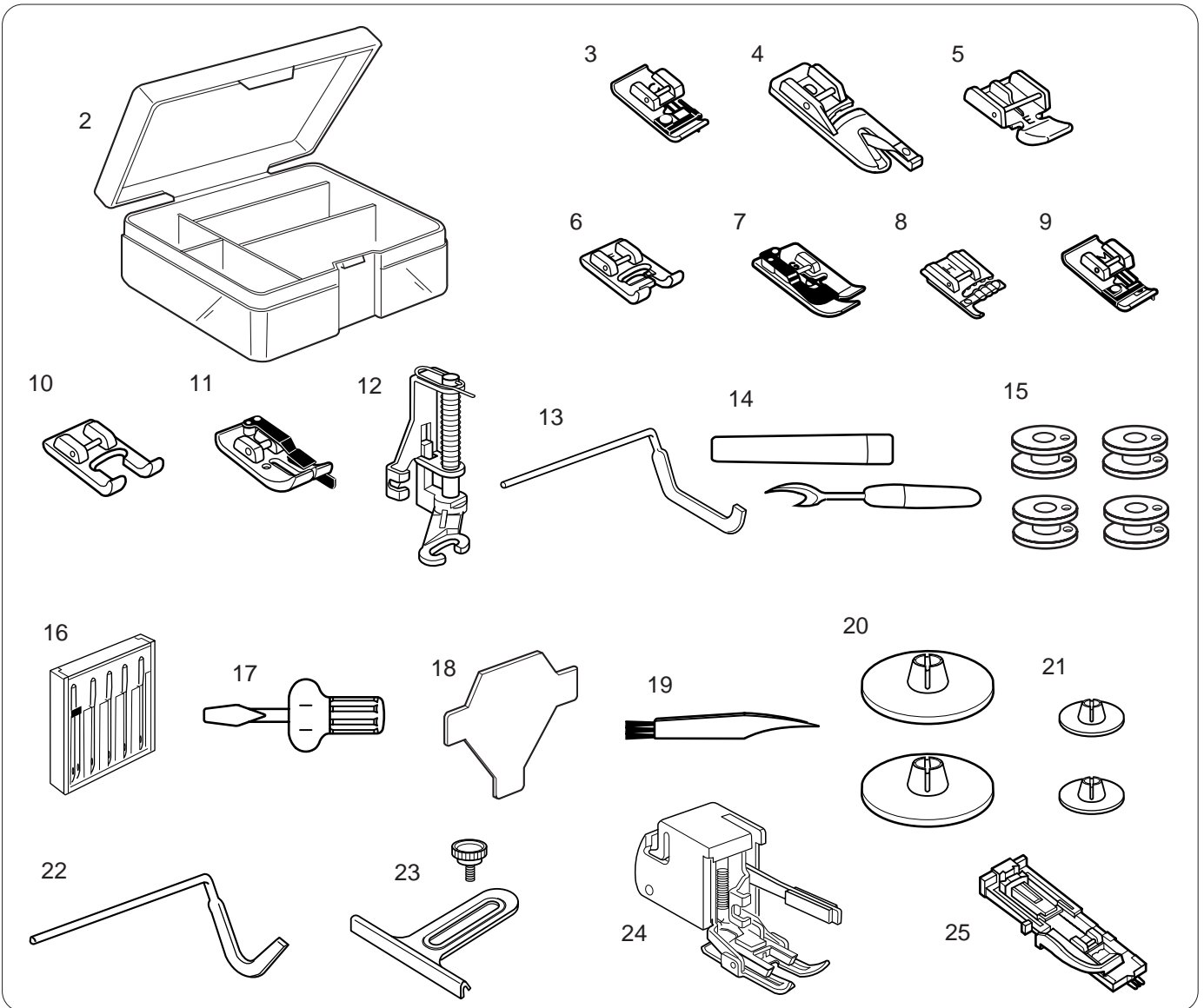


## PARTS LIST

KEY NO.	PARTS NO.	DESCRIPTION
1	846648404	Printed circuit board A (unit)
2	846542108	Printed circuit board A (unit)
3	846181002	Set plate
4	846182003	Insulation paper (1)
5	846183004	Insulation paper (2)
6	000120203	Tapping screw 3x8 (B)
7	846184005	Circuit board case
8	846185006	Lid
9	846521008	Cord (unit)
10	000081005	Setscrew 4x8
11	846186007	Supporter (120V)
12	846502002	Transformer (unit) (120V)
13	000115205	TP Setscrew 4x6
14	846649003	Motor (unit)
15	000115607	TP setscrew 4x8
16	000053101	Cord binder
17	846201009	Set plate
18	845503207	Machine socket (unit)
19	000107802	Setscrew 3x10 (B)
20	000103509	Setscrew 4x10
21	846372002	Cover
22	846024006	Belt cover
23	000170507	Setscrew 4x12
24	000101426	Setscrew 4x6

# PARTS LIST

1





# PARTS LIST

KEY NO.	PARTS NO.	DESCRIPTION
1	846870706	Accessories (unit)
2	846810007	Accessory case
3	822801001	Overlock foot
4	820809014	Hemmer foot
5	829801002	Zipper foot
6	822804118	Satin stitch foot
7	825817009	Blind hem foot
8	820819006	Multi-cord foot
9	822808008	Overedge foot
10	832427103	Open toe satin stitch foot
11	200008037	Scant 1/4" foot
12	200301000	Open toe embroidery/darning foot
13	802422002	Quilt guide
14	647808009	Seam ripper
15	102261103	Bobbins (5 total, 1 in machine)
16	820827007	Set of needles
17	820832005	Screwdriver
18	653802002	Screw key
19	802424004	Lint brush
20	822020503	Large spool holders
21	822019509	Small spool holders
22	214015007	Quilt guide
23	200100708	Cloth guide
24	214510007	Walking foot
25	753801004	Automatic buttonhole foot
26	846801407	Quick reference chart (unit)
27	846802501	Quick reference chart
28	846803007	Quick reference chart frame
29	846804008	Quick reference chart base
30	000163600	Setscrew 4x18
31	846811008	Knee lifter
32	043271133	Foot control
33	653524007	Power supply cord
34	846800738	Instruction book
35	489707104	Quilt table
36	846806103	Cover