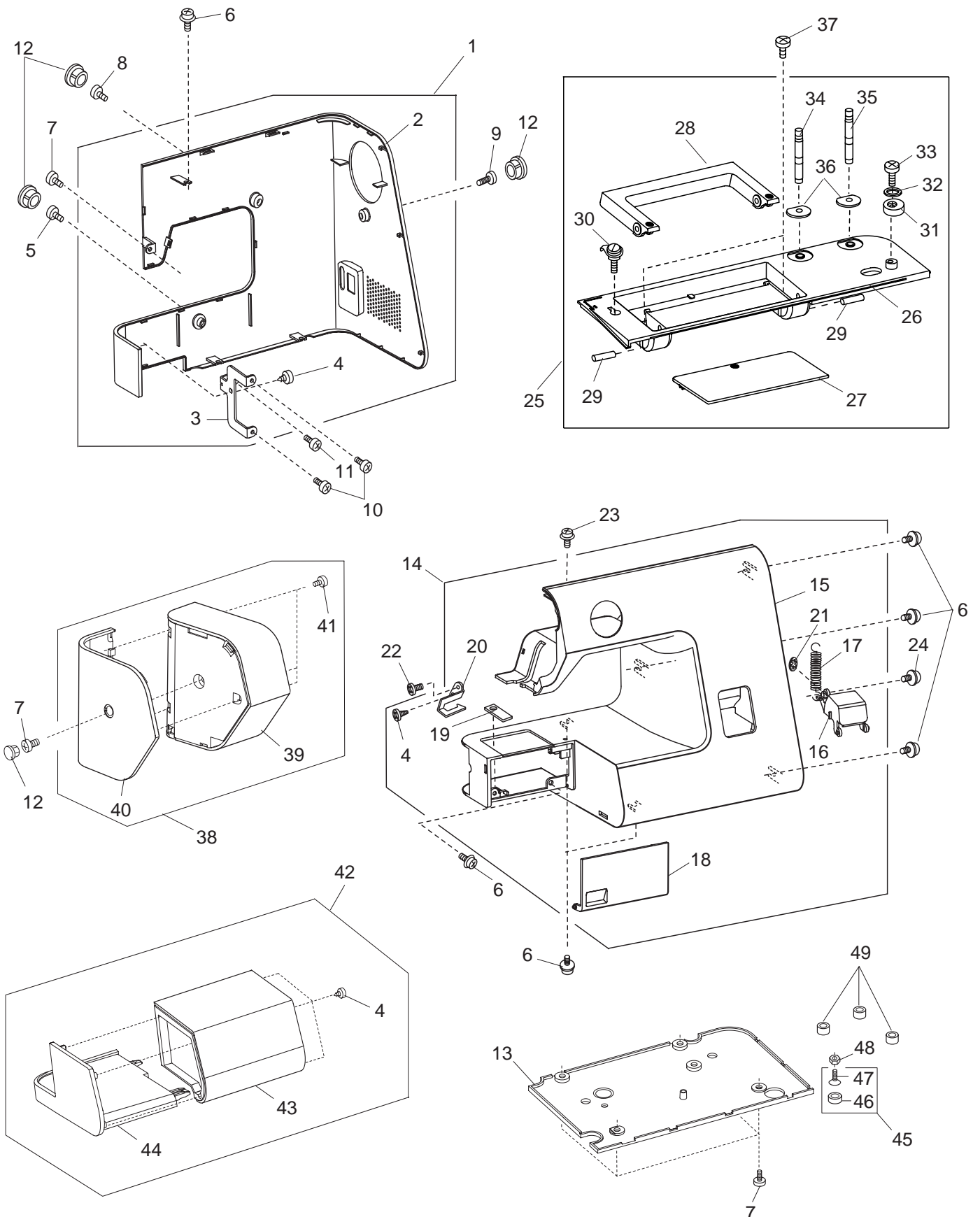


# **PARTS LIST**

**MODEL: EV7**

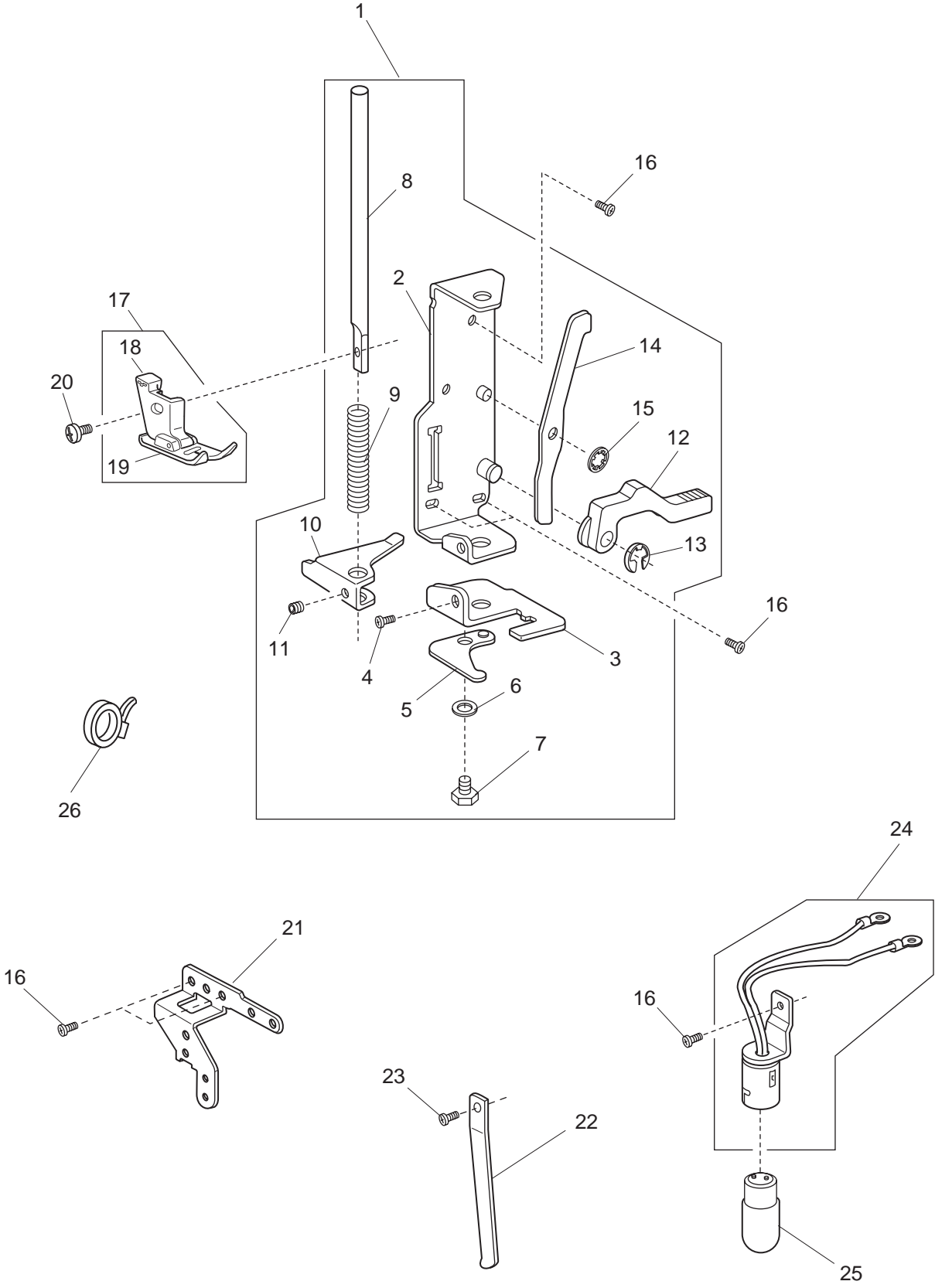
# PARTS LIST



# PARTS LIST

KEY NO.	PARTS NO.	DESCRIPTION
1	310613703	Rear cover (unit)
2	310048505	Rear cover
3	310049001	Cover fixing plate
4	000120203	Tapping screw 3x8 (B)
5	810220003	Setscrew
6	000115205	Setscrew TP 4x6
7	000081005	Setscrew 4x8
8	000198305	Setscrew 4x10 (B)
9	000080901	Setscrew 4x25
10	000114709	Setscrew TP 3x6
11	000115009	Setscrew TP 3x8
12	745033806	Cap
13	310050005	Bottom cover
14	310612609	Front cover (unit)
15	310044235	Front cover
16	310045502	R button
17	310046008	R button spring
18	310047009	Bed lid
19	730006000	Spring
20	745031000	Thread guard plate
21	000014306	Snap ring CS-3
22	000101404	Setscrew 4x6
23	000115607	Setscrew TP 4x8
24	000149301	Setscrew 3x8 (B)
25	310614508	Top cover (unit)
26	310051006	Top cover
27	310052328	Stitch guide
28	310053008	Carrying handle
29	000028107	Spring pin 4x25
30	730501011	Thread guide plate (unit)
31	735016307	Bobbin winder stopper
32	000071013	Washer
33	000160814	Setscrew 4x18
34	652302004	Spool pin
35	652205006	Spool pin
36	735013108	Spool pin cushion
37	000103510	Setscrew 4x10
38	310615602	Face cover (unit)
39	310054308	Face cover
40	310055505	Face cover plaque
41	000161206	Setscrew 3x10 (B)
42	310616500	Extension plate (unit)
43	310056001	Extension plate 1
44	310057507	Extension plate 2
45	735616200	Rubber base (unit)
46	735002001	Rubber base
47	000097901	Flat screw 5x18
48	000061319	Nut
49	739064003	Bed rubber base

# PARTS LIST



## PARTS LIST

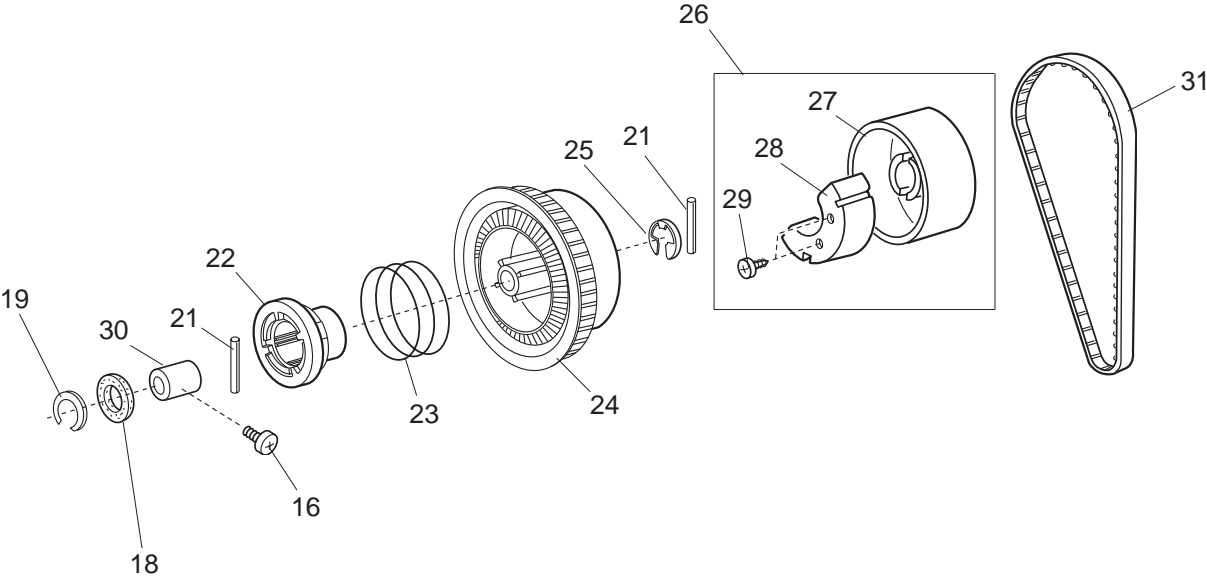
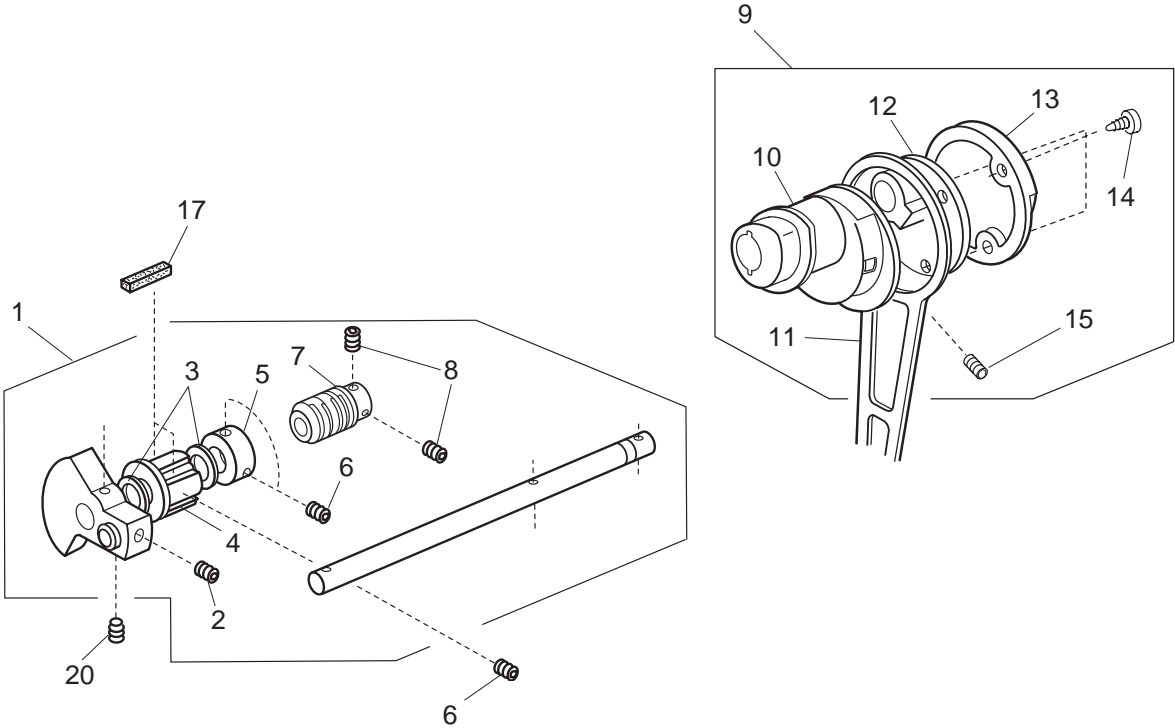
KEY NO.	PARTS NO.	DESCRIPTION
1	305604200	Presser bar base plate (unit)
2	735221008	Presser bar base plate
3	735222009	Needle drop adjusting plate
4	000101404	Setscrew 4x6
5	735025000	Needle bar supporter stopper
6	000070506	Washer
7	000138307	Bolt 4x8
8	303017101	Presser bar
9	735027002	Presser bar spring
10	735028003	Presser bar bracket
11	000111500	Hexagonal socket screw 4x8
12	735029004	Presser foot lifter
13	000001609	Snap ring E-5
14	735030008	Tension release lever
15	000013903	Snap ring CS-5
16	000081005	Setscrew 4x8
17	310621003	Presser foot (unit)
18	310801009	Presser foot holder (unit)
19	301505002	Zigzag foot (unit)
20	660106001	Thumb screw
21	740007013	Face cover set plate
22	730024004	Needle bar supporter spring
23	000101404	Setscrew 4x6
24	647513015	Lamp socket (unit)
25	000009803	Lamp
26	000053008	Cord binder



# PARTS LIST

KEY NO.	PARTS NO.	DESCRIPTION
1	301611105	Needle bar supporter (unit)
2	301032106	Needle bar supporter
3	730022002	Needle bar supporter pin
4	673022002	Washer
5	000070609	Washer
6	000002507	Snap ring E-4
7	000111902	Hexagonal socket screw 3x4
8	301034005	Needle threader shaft
9	000122906	Pin
10	734107004	Washer
11	734094007	Needle threader spring
12	735196003	Needle threader plate
13	000101105	Setscrew 3x4
14	000003508	Spring pin 2x8
15	639643009	Needle threader plate (unit)
16	730503116	Needle bar (unit)
17	680504005	Needle bar connecting stud (unit)
18	735628009	Needle threader set plate (unit)
19	735197004	Needle threader set plate
20	734102009	Needle threader base
21	000097602	Flat screw 2x4
22	102408089	Needle HA1-14
23	000111304	Hexagonal socket screw 5x5
24	625506109	Thread take-up lever (unit)
25	731511006	Thread take-up lever pin (unit)
26	735504008	Needle bar crank pin (unit)
27	310504504	Tension regulator (unit)
28	310066004	Thread guide
29	000024505	Spring pin 1.6x18 (K)
30	000101703	Setscrew 4x12
31	000115205	Setscrew TP 4x6
32	739605002	Tension release arm (unit)
33	739017001	Tension release arm base
34	739018002	Tension release arm
35	739019003	Tension release spring
36	000002105	Snap ring E-3

# PARTS LIST

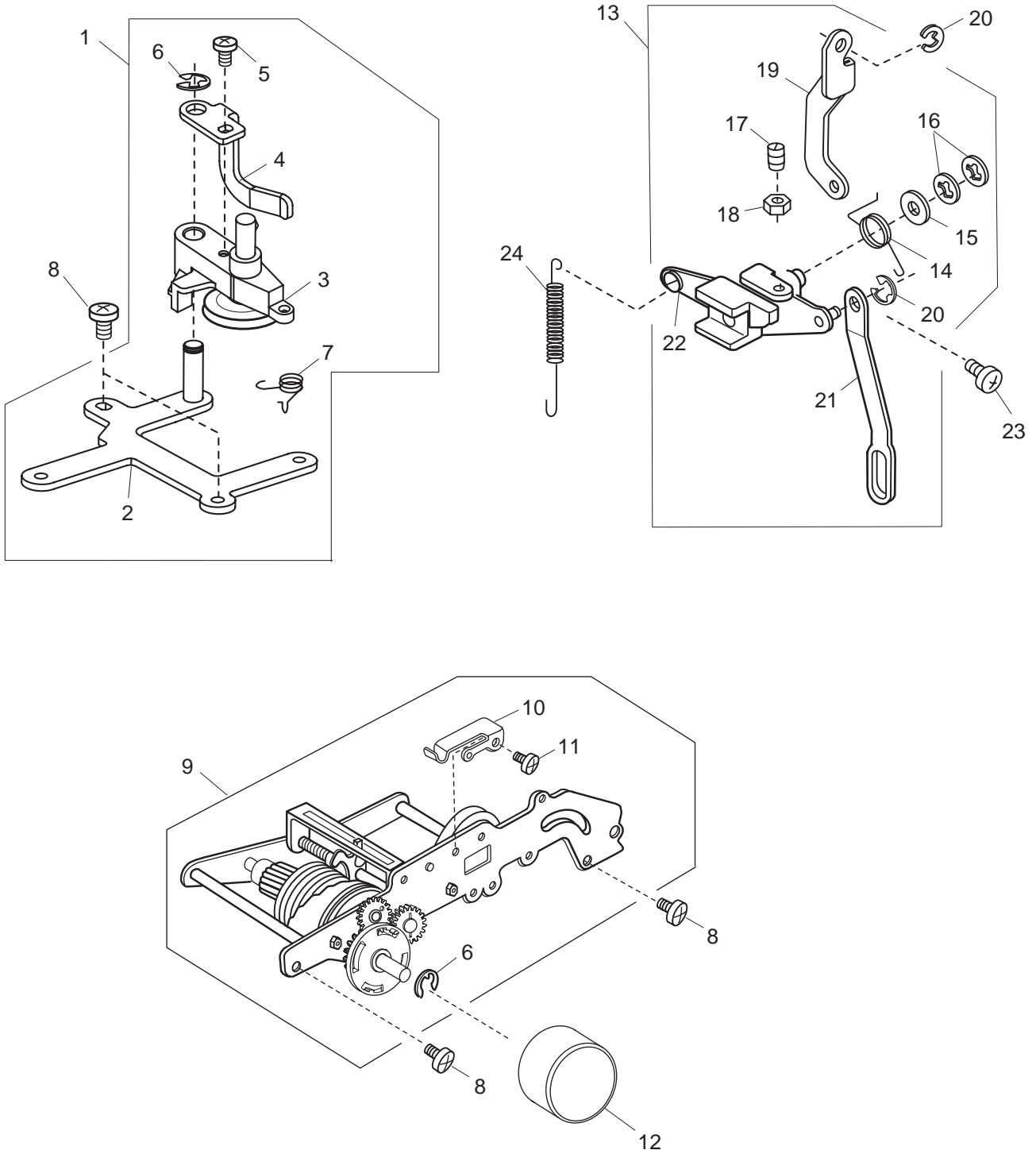




# PARTS LIST

KEY NO.	PARTS NO.	DESCRIPTION
1	310602008	Upper shaft (unit)
2	102073003	Setscrew
3	000036717	Thrust washer
4	732025001	Upper shaft front bushing
5	639095000	Ring
6	000111304	Hexagonal socket screw 5x5
7	749011109	Worm
8	000111201	Hexagonal socket screw 4x4
9	304609006	Crank rod (unit)
10	304042005	Feed cam
11	743011008	Crank rod
12	304044007	Crank cam
13	304043006	Crank cam plate
14	000161309	Tapping screw 3x12 (B)
15	000110107	Hexagonal socket screw 5x5
16	000172602	Setscrew 5x8
17	731312005	Felt
18	743029009	Felt
19	310069007	Felt clip
20	761052007	Setscrew
21	000024206	Spring pin 3x30
22	502064003	Clutch ring
23	502065004	Clutch spring
24	303025009	Belt wheel
25	000030205	Snap ring E-8
26	310619503	Handwheel (unit)
27	310007502	Handwheel
28	743030003	Balance weight
29	000121400	Tapping screw 3x14 (B)
30	732003003	Upper shaft rear bushing
31	650166008	Motor timing belt

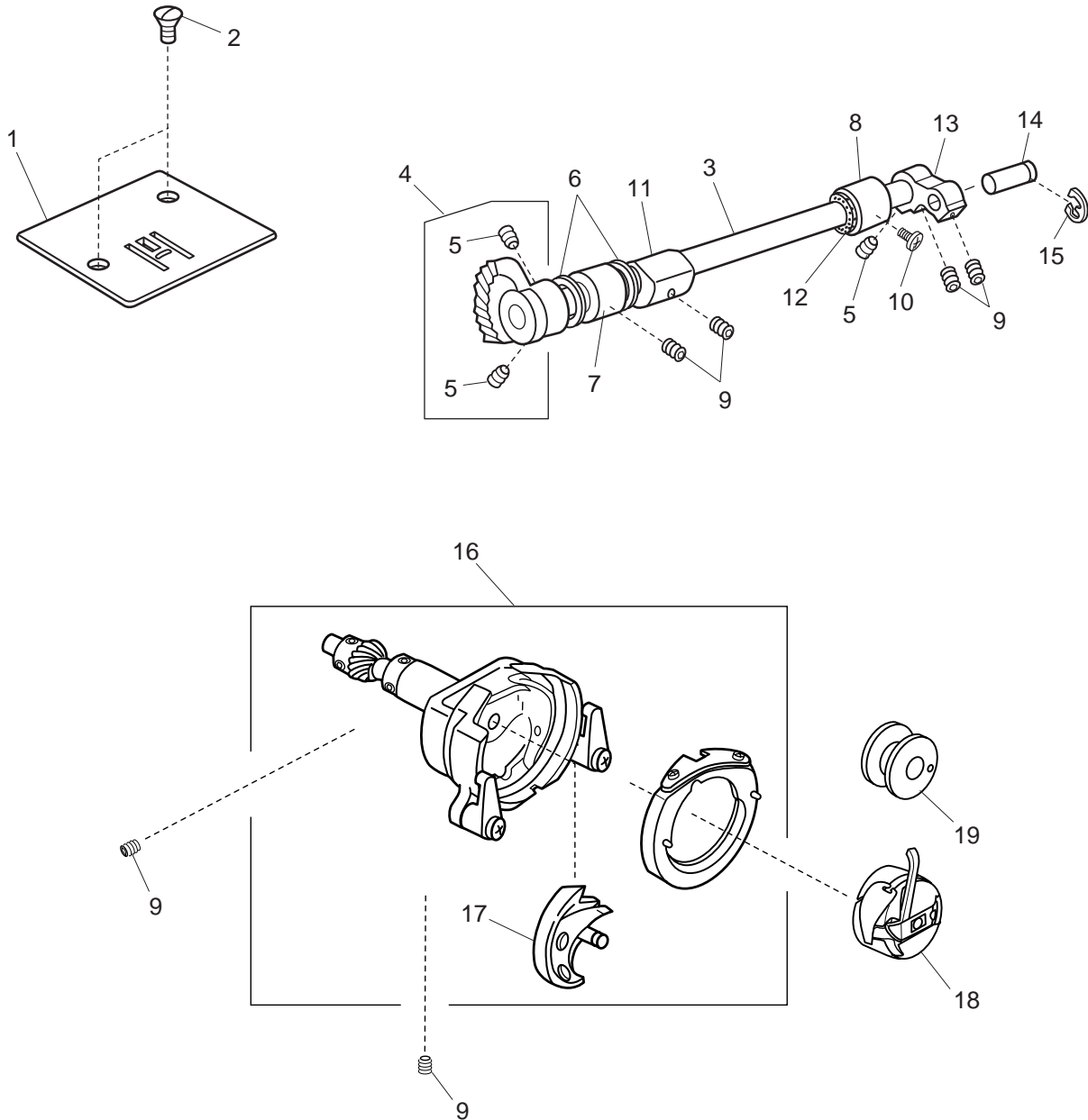
# PARTS LIST



## PARTS LIST

KEY NO.	PARTS NO.	DESCRIPTION
1	310601007	Bobbin winder support plate (unit)
2	310001001	Bobbin winder support plate
3	310501006	Bobbin winder arm (unit)
4	310003003	Clutch opener plate
5	000120203	Setscrew 3x8 (B)
6	000001609	Snap ring E-5
7	505071002	Bobbin winder arm spring
8	000081005	Setscrew 4x8
9	310611000	Zigzag mechanism (unit)
10	659013006	Index spring
11	000103808	Setscrew 3x5
12	310043153	Dial
13	310618007	Feed regulator (unit)
14	735077007	Feed regulating body spring
15	735073003	Plain washer
16	000013800	Snap ring CS-6
17	648010009	Setscrew
18	000160102	Adjustable lock nut 4
19	740096008	Feed regulating rod
20	000002105	Snap ring E-3
21	310058003	Reverse link
22	648012001	Hinge screw
23	000172602	Setscrew 5x8
24	670100006	Feed regulator spring

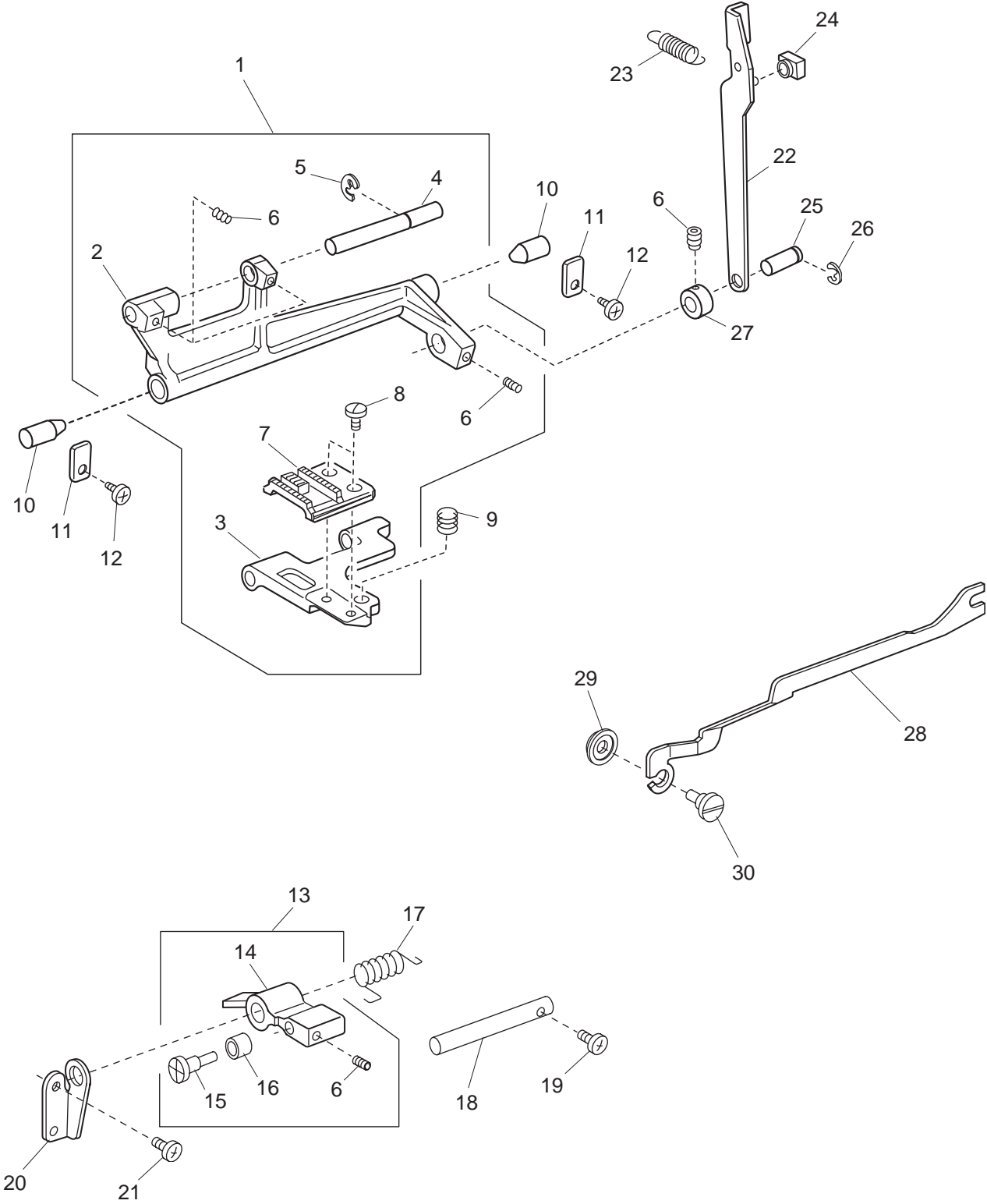
# PARTS LIST



# PARTS LIST

KEY NO.	PARTS NO.	DESCRIPTION
1	744004001	Needle plate
2	681009101	Setscrew
3	735236006	Lower shaft
4	735950003	Lower shaft gear (unit)
5	000110107	Hexagonal socket screw 5x5WP
6	000036201	Washer 8-0.5
7	735233003	Bushing
8	735234004	Bushing
9	000111304	Hexagonal socket screw 5x5
10	000172602	Setscrew 5x8
11	735061008	Feed lifting cam
12	822070003	Felt (1)
13	639036003	Lower shaft crank arm
14	639037004	Pin
15	000001609	Snap ring E-5
16	735610101	Shuttle race body (unit)
17	532096007	Shuttle hook
18	647515006	Bobbin case (unit)
19	102261000	Bobbin

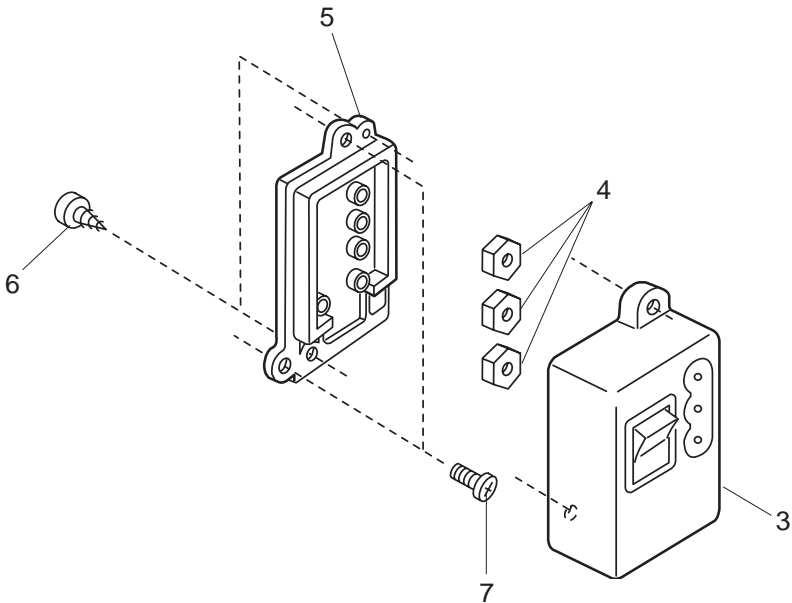
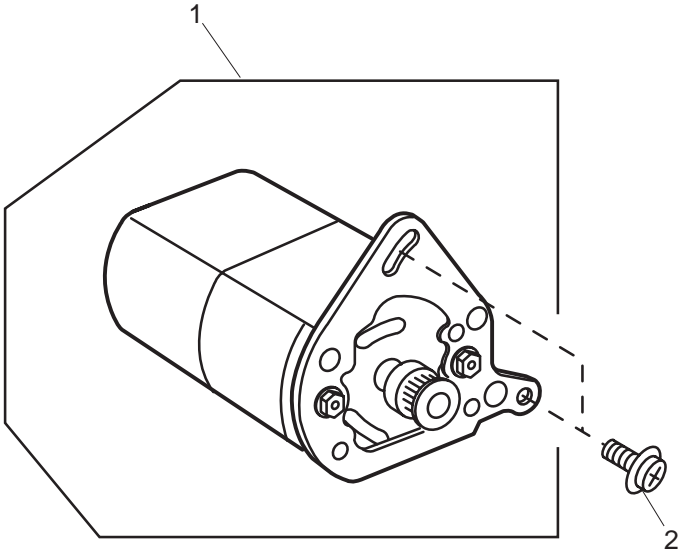
# PARTS LIST



## PARTS LIST

KEY NO.	PARTS NO.	DESCRIPTION
1	735612000	Feed rock shaft (unit)
2	735078008	Feed rock shaft
3	735079009	Feed bar
4	735080003	Feed bar shaft
5	000002507	Snap ring E-4
6	000111201	Hexagonal socket screw 4x4
7	735081004	Feed dog
8	735082005	Setscrew
9	735083006	Feed bar spring
10	735084007	Feed rock shaft center
11	735085008	Feed rock shaft center plate
12	000101404	Setscrew 4x6
13	301608006	Feed lifting arm (unit)
14	301027005	Feed lifting arm
15	735087000	Feed lifting pin
16	735088001	Feed lifting roller
17	735089002	Feed lifting spring
18	735090006	Feed lifting shaft
19	000101703	Setscrew 4x12
20	739022009	Feed lifting shaft holder
21	000081119	Setscrew 4x6
22	743012009	Feed rod
23	743013000	Feed rod spring
24	102141003	Feed regulator slide block
25	735071104	Feed rock shaft connecting pin
26	000002806	Snap ring E-6
27	735276008	Ring
28	735119002	Zigzag rod
29	748021006	Zigzag rod plain washer
30	678084007	Eccentric pin

# PARTS LIST





# PARTS LIST

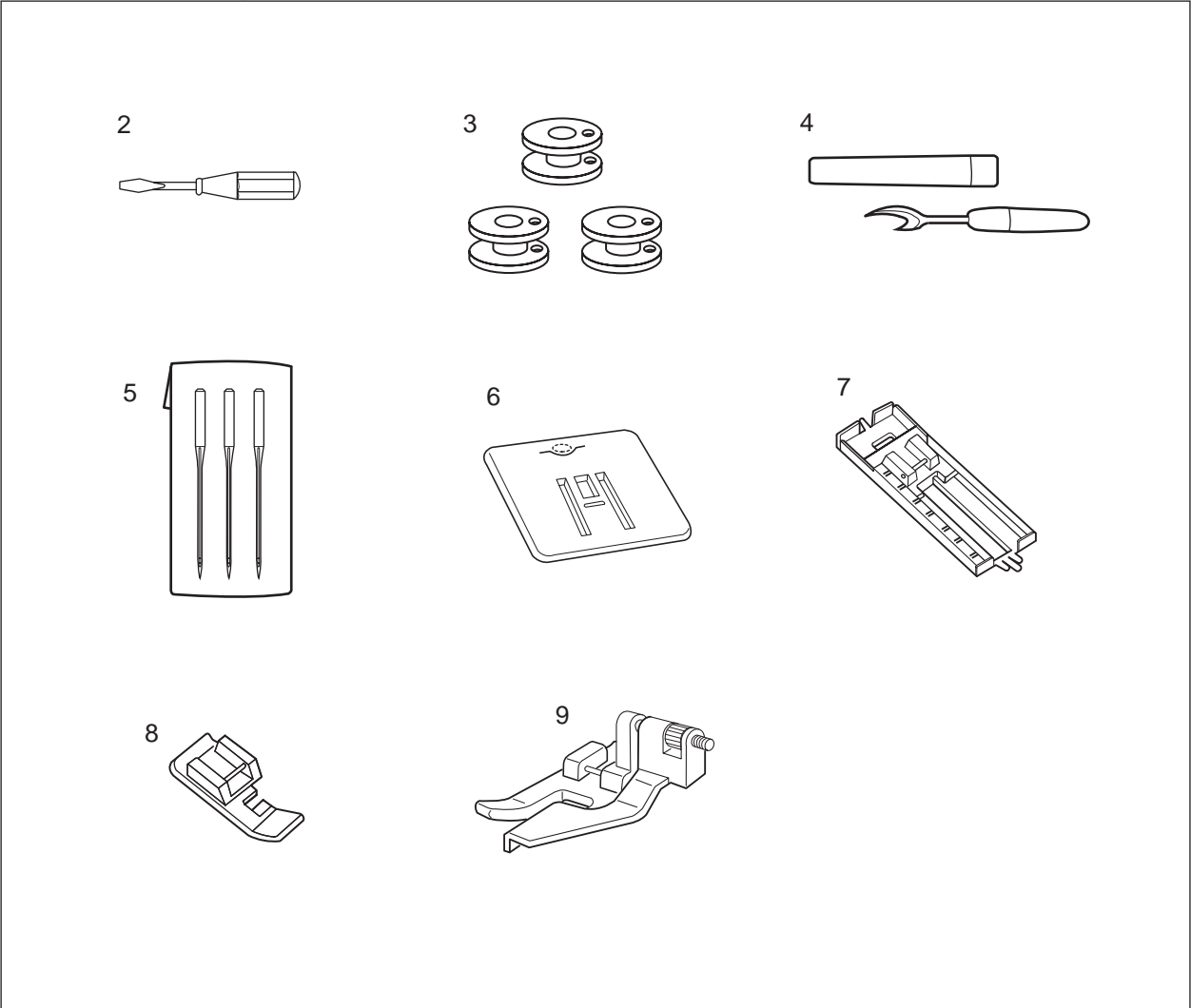
---

KEY NO.	PARTS NO.	DESCRIPTION
1	743612005	Motor assy
2	000115504	Setscrew TP 5x10
3	739505403	Machine socket (unit)
4	000060802	Nut
5	739037007	Machine socket cover
6	000107802	Setscrew 3x10 (B)
7	000103509	Setscrew 4x10

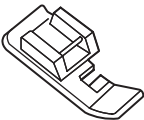
---

# PARTS LIST

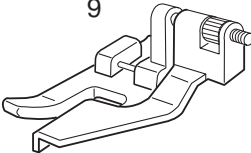
1



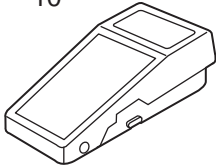
8



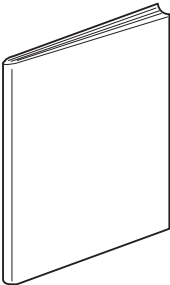
9



10



11



## PARTS LIST

---

KEY NO.	PARTS NO.	DESCRIPTION
1	310870009	Accessories (unit)
2	647803004	Screwdriver (unit)
3	102261000	Bobbin
4	647808009	Seam ripper (unit)
5	639804000	Needle case (unit)
6	735801008	Darning plate
7	611413002	BH foot (unit)
8	611406002	Zipper foot (unit)
9	611411000	Blind foot (unit)
10	C-1028	Foot controller
11	310800215	Instruction book

---