

**The GMQ Pro**  
*Home Machine Quilting System*

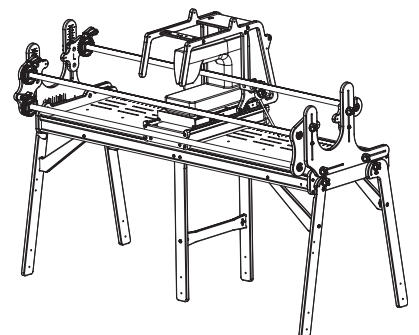
**Parts List**

Part List A ..... 2  
 Part List B ..... 3  
 Part List C ..... 4  
 Care of Your Frame ..... 6

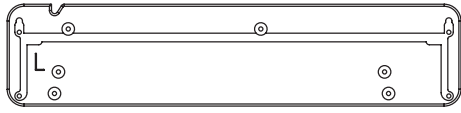
**Assembly Steps:**

Step 1: Leveling Foot Assembly ..... 7  
 Step 2: Outer Leg Brace “A” Assembly ..... 8  
 Step 3: Side Leg Brace “B” Assembly ..... 9  
 Step 4: Table Assembly ..... 10  
 Step 5: Middle Leg Spacer Assembly ..... 12  
 Step 6: Table Splice to Table Assembly ..... 13  
 Step 7: Frame End Hardware Assembly ..... 14  
 Step 8: Track Installation ..... 14  
 Step 9: Frame End Assembly to Table Assembly ..... 15  
 Step 10: Side Leg to Table Assembly ..... 15  
 Step 11: Middle Leg Installation ..... 16  
 Step 12: Middle Leg Assembly ..... 17  
 Step 13: Take Up Sides Assembly ..... 18  
 Step 14: Take Up Sides to Table Assembly ..... 18  
 Step 15: Take Up Rail Mount End Assembly ..... 19  
 Step 16: Take Up Rail Mount End to Table Assembly ..... 19  
 Step 17: Three Rail Side to Table Assembly ..... 20  
 Step 18: Pivot End to Fabric Layer Rail Mount End ..... 20  
 Step 19: Pivot End/ Fabric Layer Rail Mount End to Table Assembly ..... 21  
 Step 20: Batting Rail Mount End Assembly ..... 21  
 Step 21: Top Fabric Rail Mount End to Table Assembly ..... 22  
 Step 22: Rail Assembly ..... 22  
 Step 23: Rails to Frame Assembly ..... 24  
 Step 24: Ratchet Stop Assembly ..... 25  
 Step 25: Carriage Handle Assembly ..... 26  
 Step 26: Cross Brace Assembly ..... 26  
 Step 27: Front Handle Brace Assembly ..... 26  
 Step 28: Front Handle Slide Assembly ..... 27  
 Step 29: Front Handle Slide to Front Handle Assembly ..... 27  
 Step 30: Front Handles to Top Carriage Assembly ..... 28  
 Step 31: Cone Thread Holder Assembly ..... 28  
 Step 32: Cone Thread Guide Assembly ..... 28  
 Step 33: Pedal Platform Assembly ..... 29  
 Step 34: Carriage to Frame Assembly ..... 29  
 Step 35: Stylus Clamp Base Assembly ..... 30  
 Step 36: Stylus Clamp Assembly ..... 30  
 Step 37: Stylus Assembly ..... 30  
 Step 38: Stylus to Carriage Assembly ..... 31  
 Step 39: Carriage Stop Assembly ..... 31

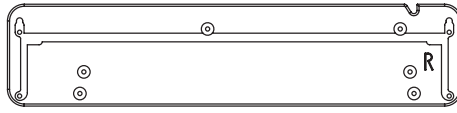
**Fabric Installation** ..... 32  
 Making Cloth Leaders ..... 33  
 Installing Your Fabric Layers to the Rails ..... 34  
 Step 1: Quilt Backing to Second Rail ..... 34  
 Step 2: Quilt Top to 3rd Rail ..... 34  
 Step 3: Batting ..... 34  
 Step 4: Attaching Layers to the Take-Up Rail ..... 35  
 Rolling Your Fabric ..... 36  
 The Four-Inch Principle ..... 36  
 Bungee Clamp Assembly ..... 36



# GMQ Pro Parts List A



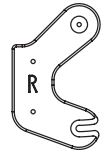
(1) Left Frame End



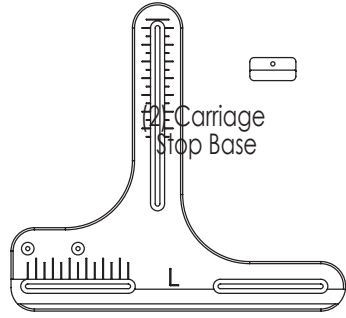
(1) Right Frame End



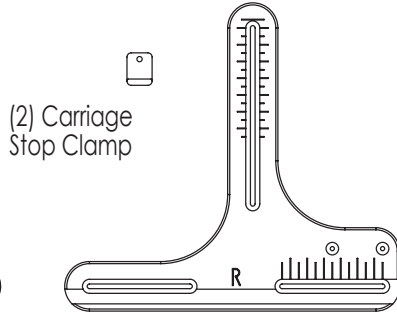
(1) Left  
Pivot End



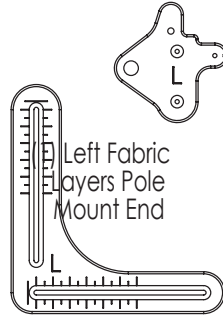
(1) Right  
Pivot End



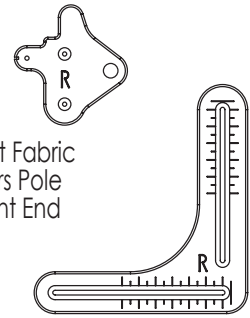
(1) Left Take Up Side



(1) Right Take Up Side



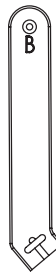
(1) Left 3 Rail Side



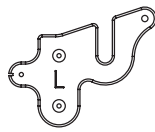
(1) Right 3 Rail Side



(2) Outer Leg  
Brace "A"



(2) Outer Leg  
Brace "B"



(1) Left Take up  
Pole Mount End



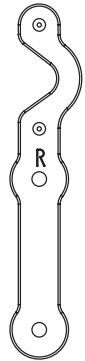
(1) Right Take up  
Pole Mount End



(3) Middle Leg Brace



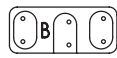
(1) Batting Pole  
Mount End



(1) Batting Pole  
Mount End



(2) Track Support  
Splice "A"



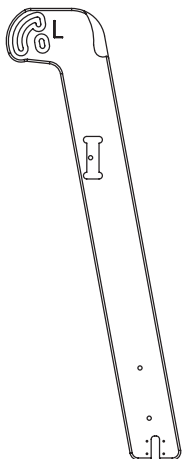
(2) Track Support  
Splice "B"



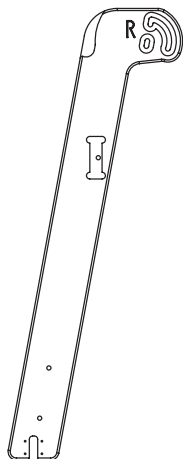
(1) Middle Leg  
Spacer "A"



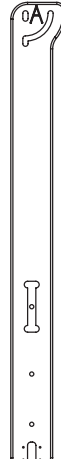
(1) Middle Leg  
Spacer "B"



(1) Left Back  
Leg



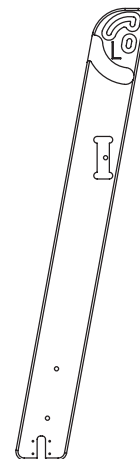
(1) Right Back  
Leg



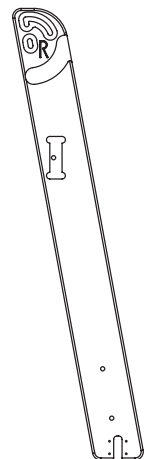
(3) Middle  
Leg "A"



(3) Middle  
Leg "B"

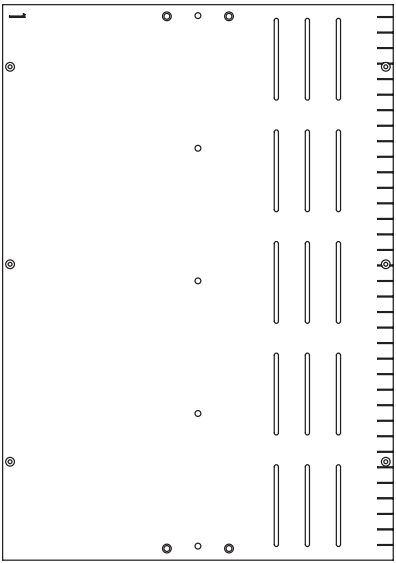


(1) Left  
Front Leg

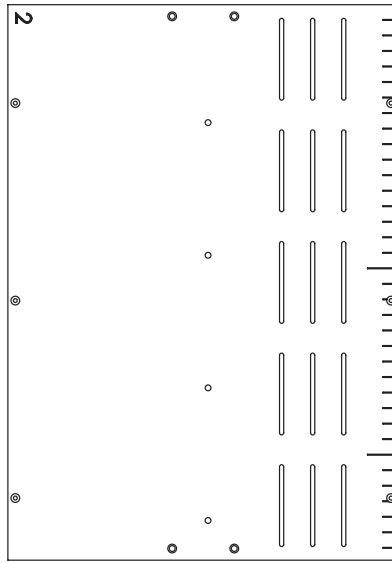


(1) Right  
Front Leg

# GMQ Pro Parts List B



(1) Table #1



(1) Table #2

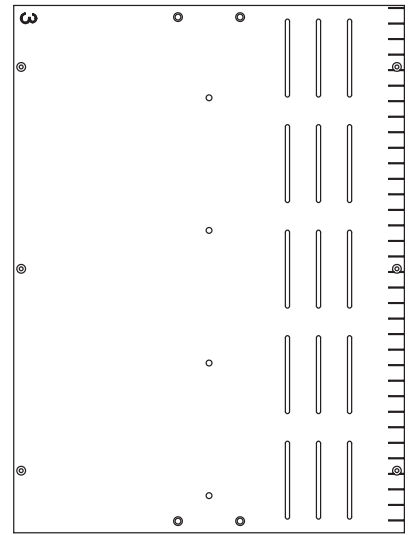


Table #3

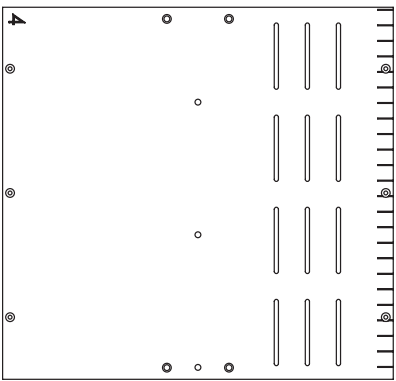


Table #4

(3) Cone Thread Disk

(1) Pedal Clamp Spacer

(1) Pedal Clamp Wheel

(1) Back Lever Linkage

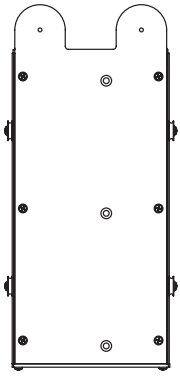
(1) Front Lever Linkage

(1) Middle Lever

(1) Front Lever

(1) Pedal Clamp

Stylus



(1) Top Carriage



(1) Left Back Lever



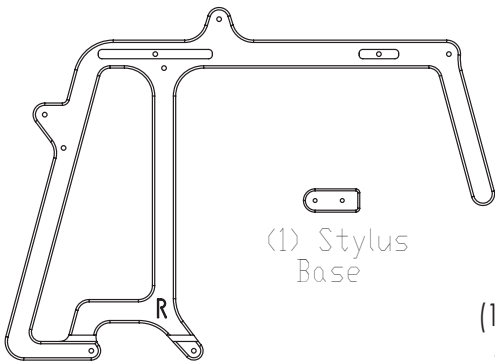
(1) Right Back Lever



(1) Lamp Holding Cross Brace



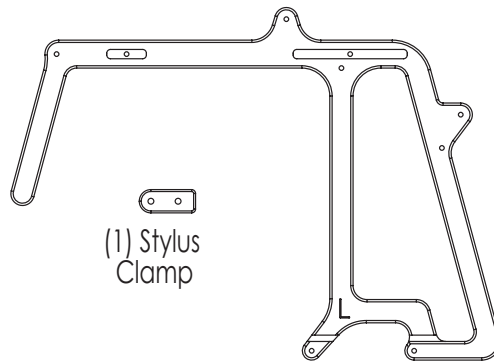
(3) Table Splice



(1) Right Handle

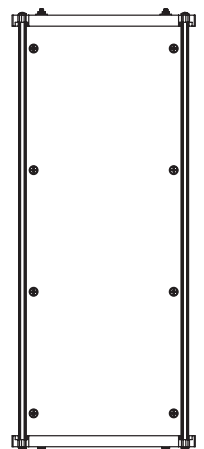
(1) Stylus Base

(1) Stylus Mount



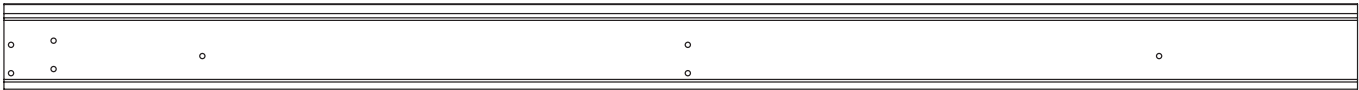
(1) Stylus Clamp

(1) Left Handle

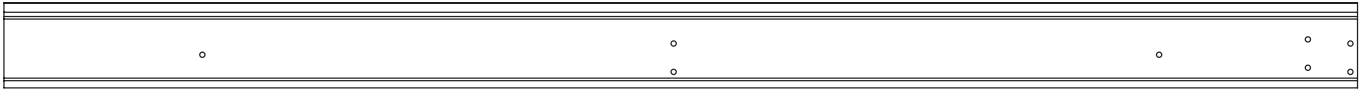


(1) Bottom Carriage

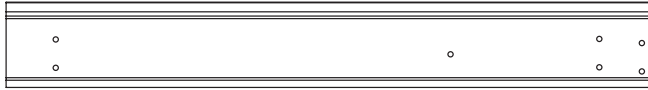
# GMQ Pro Parts List C



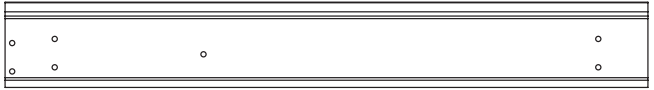
(1) Crib Back Track Support



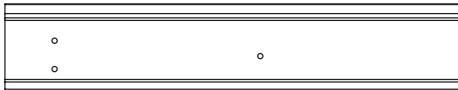
(1) Crib Front Track Support



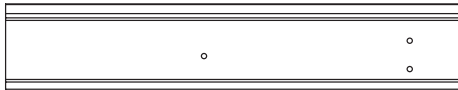
(1) Queen Back Track Support



(1) Queen Front Track Support



(1) King Back Track Support



(1) King Front Track Support



(4) 70" Rail



(4) 34" Rail



(4) 24" Rail



(8) Rail Coupler



(4) Fabrifast Tubing -Pre-Installed in your 70" rail



(2) 129-1/2" Track



(2) 105-1/2" Track

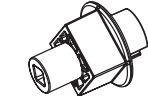


(2) 71-1/2" Track

## Plastic Parts



(1) Fabri-fast Tool



(4) Square End Cap

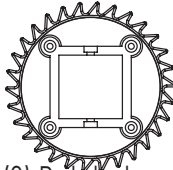


(3) Ratchet Stop



(4) Round End Cap

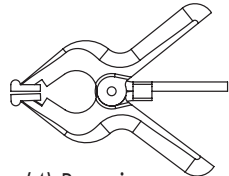
4



(3) Ratchet Wheel

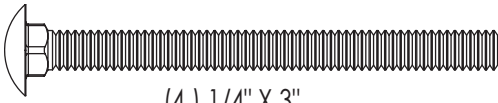


(8) End Cap Shoulder



(4) Bungee Clamp

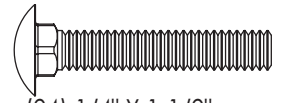
# GMQ Pro Parts List D



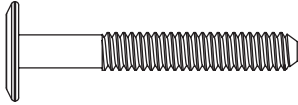
(4) 1/4" X 3"  
Carriage Bolt



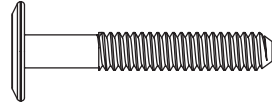
(6) 1/4" X 2-1/4"  
Carriage Bolt



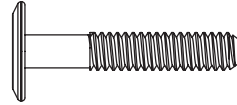
(24) 1/4" X 1-1/2"  
Carriage Bolt



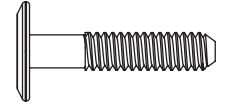
(17) 1/4" X 45mm  
Connector Bolt



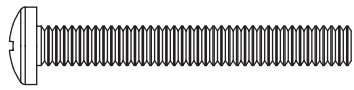
(2) 1/4" X 40mm  
Connector Bolt



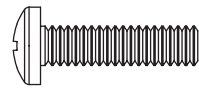
(3) 1/4" X 35mm  
Connector Bolt



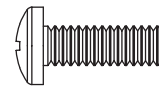
(4) 1/4" X 30mm  
Connector Bolt



(12) 1/4" X 2" Phillips  
Pan Head Screw



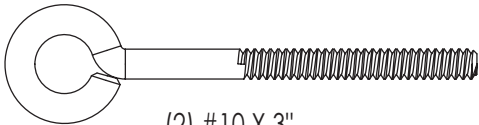
(8) 1/4" X 1" Phillips  
Pan Head Screw



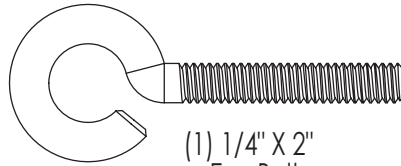
(56) 1/4" X 3/4" Phillips  
Pan Head Screw



(3) 1/4" X 1-1/2"  
Truss Bolt



(2) #10 X 3"  
Eye Bolt



(1) 1/4" X 2"  
Eye Bolt



(8) #8 X 7/8"  
Screw



(40) #6 X 5/8"  
Wood Screw



(24) #10 X 3/8"  
Socket Head Screw



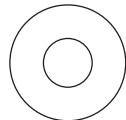
(4) #10 Hex  
Nut



(14) 1/4" Rectangle  
Nut



(97) 3/16" Flat  
Washer



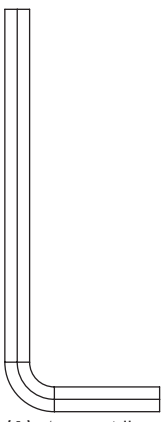
(33) 1/4" Flat  
Washer



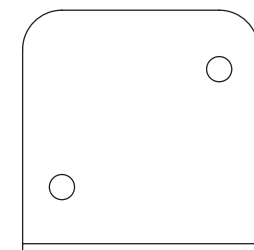
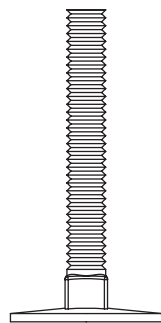
(26) 1/4" Nylock  
Nut



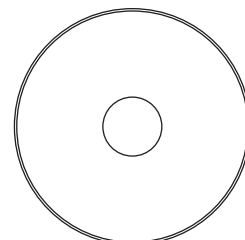
(89) 1/4" Jam  
Nut



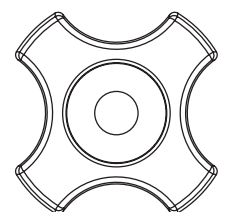
(10) 1/4" X 2"



(10) Levelina Foot



(28) 1-1/4" Fender



(29) 1/4" Plastic

## CARE OF YOUR GMQ PRO

Your GMQ Pro frame is a machine quilting system that can be used finished or unfinished. Most use it unfinished with no problem, and doing so does not adversely affect warranty coverage. However, for extra protection, or to give it a finished look, you may seal, stain and/or finish the frame using a number of different applications. This is best done BEFORE YOU ASSEMBLE your frame.

To seal the wood, we recommend an application of tung oil or Danish Oil finish that will help preserve the wood and will help to prevent warping. We recommend the McCloskey's Tung Seal, Deft™ or Watco™ brands. Some prefer to use a urethane coat to add a more glossy finish.

Test stain on an inconspicuous place. Many different finishes and/or stains may be suitable for sealing and beautifying your frame. You may want to consult your local paint retailer for finishes that are easy to apply and dry hard—not oily.

### Use and Storage Tip

*--Store frame in a dry place. Avoid the possibility of moisture coming into contact with your wood.*

## **Five-Year Limited Warranty**

GraceWood, Inc. will replace or repair, at our choosing, any part of the GMQ Pro Machine Quilting System which may be shown to be defective. This warranty does not cover parts damaged through misuse, improper storage, improper assembly, loss, natural events and willful or accidental destruction. Defective parts may be returned only with a valid RMA# which may be obtained by calling **GraceWood, Inc. at 1-800-264-0644 or 1-801-485-6688.**

*NOTE: Warranty card must be filled out, stamped and mailed to the address on the card within 30 days of purchase.*

## **Contact Information**

*For Technical Support or any other correspondence concerning your GMQ Pro, call 1-800-264-0644 ~*

*OR ~ E-mail: [robin@graceframe.com](mailto:robin@graceframe.com) ~ OR ~ Fax: (801) 908-8888 ~*

*OR ~ Write to:*

*The Grace Company*

*P.O. Box 27823*

*Salt Lake City, UT 84127*

*For details on accessories and other information, see us online at [www.graceframe.com](http://www.graceframe.com)*

For shipping of materials to The Grace Company address package (postage prepaid) to: The Grace Company, 2225 South 3200 West, SLC, UT 84119. Materials may be returned only with a valid RMA# or Returned Merchandise Authorization Number which may be obtained by calling GraceWood, Inc. at **1-800-264-0644.**

If you call after business hours (M-F 8:00 a.m. – 5 p.m., MST) be assured that your call will be returned the next business day if you leave a message. Please report any errors in these instructions or make comments to the following: [lisa@graceframe.com](mailto:lisa@graceframe.com)

### ***Grace Quilting Frames and Hoops: Innovation and Evolution***

Grace Quilting Systems have been developed over the past two decades with several original design innovations. Additionally, because of feedback from many of the thousands of quilters who have purchased and use our machine quilting systems, we have been able to make a frame that will truly enhance the entire process of machine quilting from beginning to end. If you have any suggestions that will help us to improve our product or service, let us know, using one of the above contact methods.

## WELCOME!



As you begin assembly of your new GMQ Pro home machine quilting system, keep in the mind the following:

- 1) Plan to spend a minimum of 2-4 hours in assembly. This process will be simple and step-by-step.
- 2) Read through each step completely before beginning that step.
- 3) Using the parts list as a reference, take the parts out of the box and make sure that you have them all. (If there is something missing or broken, contact the Grace Company at 1-800-264-0644. Our offices are open from 8:00 am-5:00 pm MST Mon.-Fri. If calling after hours, you may leave your message and we will promptly ship any item needed).
- 4) For your convenience, an “L” and “R” have been etched into the INSIDES of most pieces to help you distinguish between left and right parts and inside and outside of parts.
- 5) Identify Hardware Packets: All hardware is separated by type and each packet is labeled for ease in identification you will find packets located in a rectangular box.
- 6) This is a new product! We welcome your feedback on this product or these instructions. If you encounter a problem during assembly or use of the GMQ Pro, and you can't seem to overcome it, call us before frustration sets in!

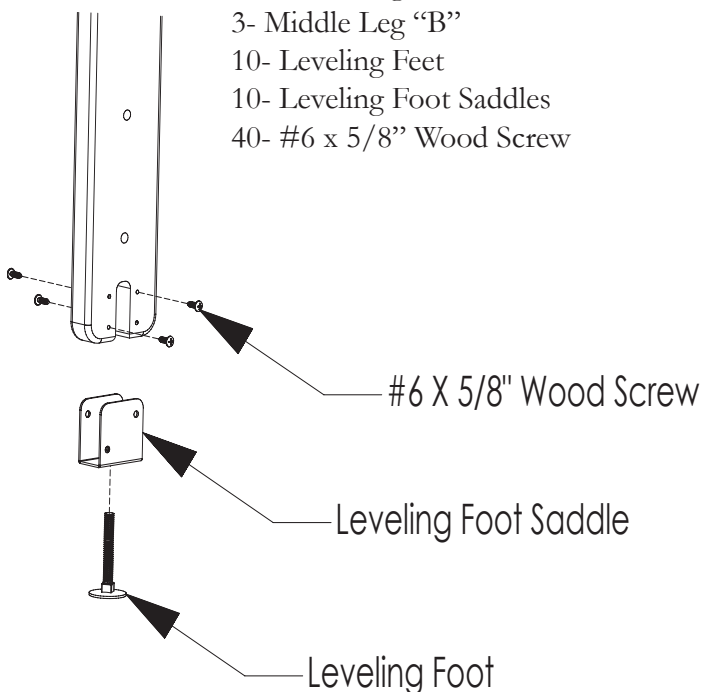
### Tools Needed:

- 7/16” Socket Wrench
- Adjustable wrench
- Phillips Screw Driver (Cordless Preferred)
- Allen wrench (provided)
- Fabri-Fast Tool (to be used when installing your fabri



## Step 1: Leveling Feet Assembly

- Parts Needed:
- 1- ea. Left and Right Front Legs
  - 1- ea. Left and Right Back Legs
  - 3- Middle Leg “A”
  - 3- Middle Leg “B”
  - 10- Leveling Feet
  - 10- Leveling Foot Saddles
  - 40- #6 x 5/8” Wood Screw



- Place One Leveling Foot Saddle over the end of each Leg.
- Insert four #6 x 5/8” wood screws into the holes of each of the Leveling Foot Saddles (there are two holes on each side). Screw these in completely.
- Insert Leveling Foot into the Leveling Foot Saddles as shown in the picture to the left. Make sure to screw it in all the way.

## Step 2: Outer Leg Brace "A" Assembly

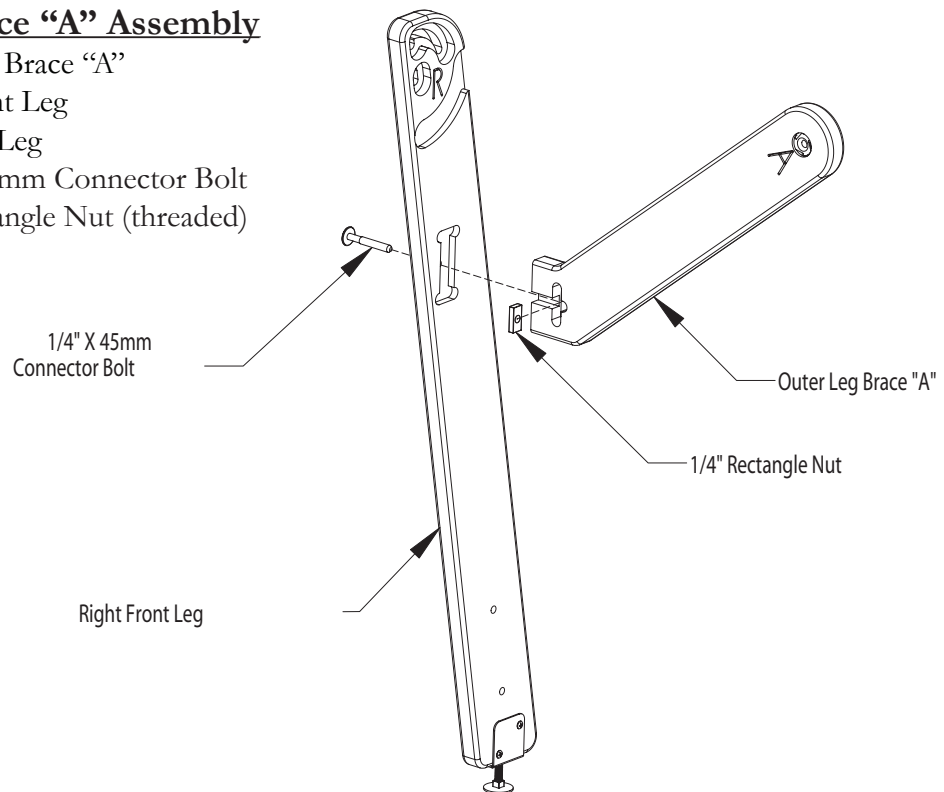
Parts Needed: 2- Outer Leg Brace "A"

1- Right Front Leg

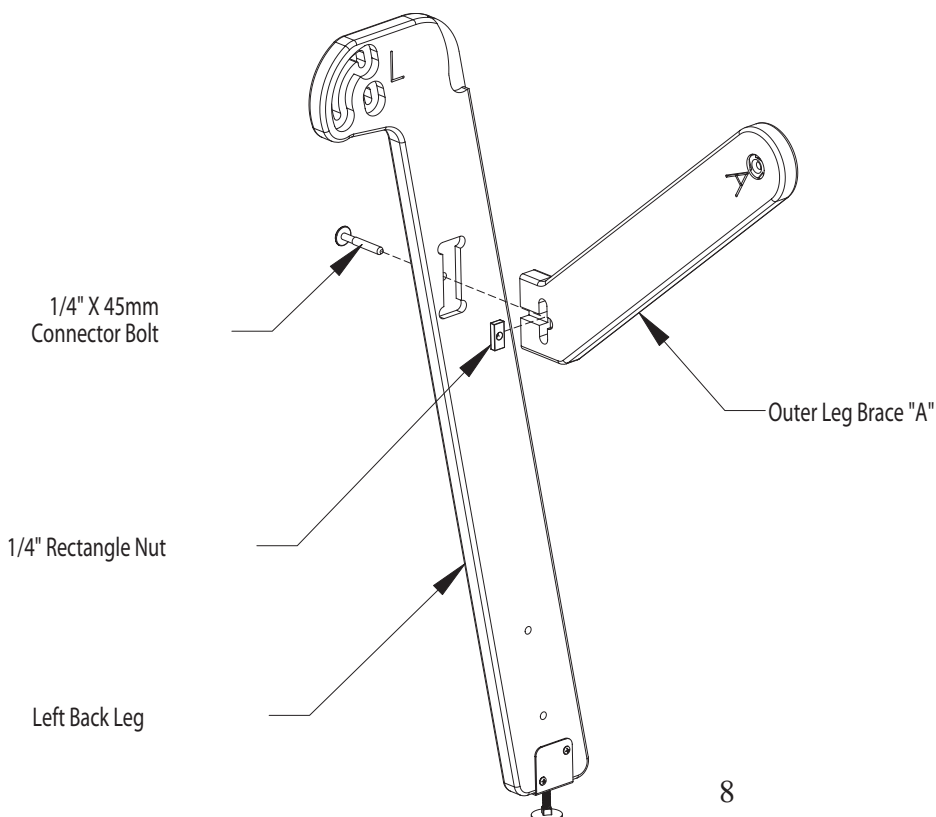
1- Left Back Leg

2- 1/4" X 45mm Connector Bolt

2- 1/4" Rectangle Nut (threaded)



- Place a rectangle nut vertically in the "t" slot of the Leg Brace "A", as illustrated above.
- Connect the Right Front Leg to the Outer Leg Brace "A" by threading the connector bolt through the hole in the Right Front Leg and into the rectangle nut. (Hold the rectangle nut in place, while using the provided allen wrench to tighten the connector bolts.)
- Repeat the above steps again for the Left Back Leg.





### **Step 3: Outer Leg Brace "B" Assembly**

Parts Needed: 2- Outer Leg Brace "B"

1- Right Back Leg

1- Left Front Leg

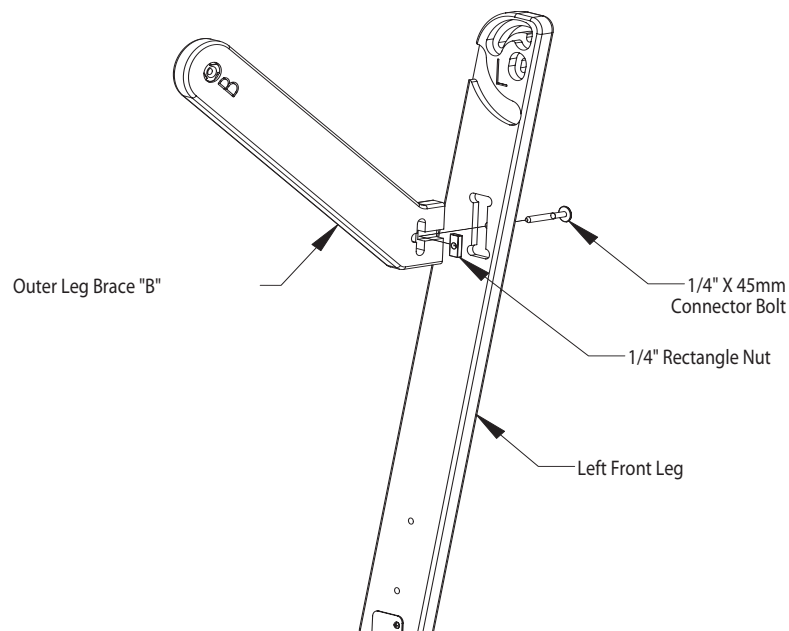
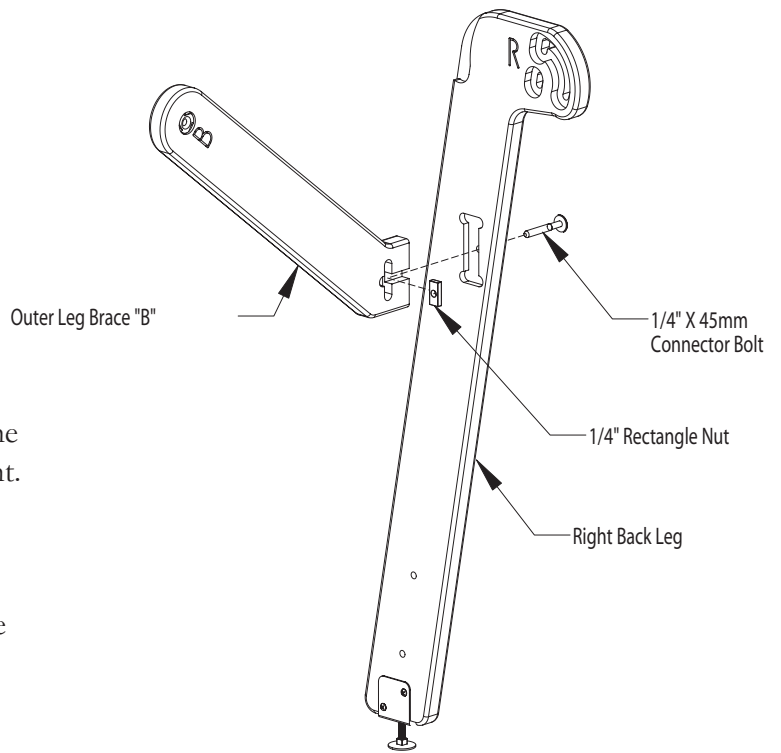
2- 1/4" X 45mm Connector Bolt

2- 1/4" Rectangle Nut (threaded)

- Place a rectangle nut vertically in the "t" slot of the Outer Leg Brace "B", as illustrated to the upper right.

- Connect the Right Back Leg to the Leg Brace "B" by threading the connector bolt through the hole in the Right Back Side Leg and into the rectangle nut. (Hold the rectangle nut in place, while using the provided allen wrench to tighten the connector bolts.)

- Complete the above steps again for the Left Front Side Leg.



## Step 5: Table Assembly

Parts Needed: 1- Table #1

1- Table #2

1\*- Table #3

1\*\*- Table #4

1- Front Crib and \*Queen and \*\*King Table Aluminum Track Support

1- Back Crib and \*Queen and \*\*King Table Aluminum Track Support

12 or 18\* or 24\*\*- 1/4" X 3/4" Phillips Pan Head Screw

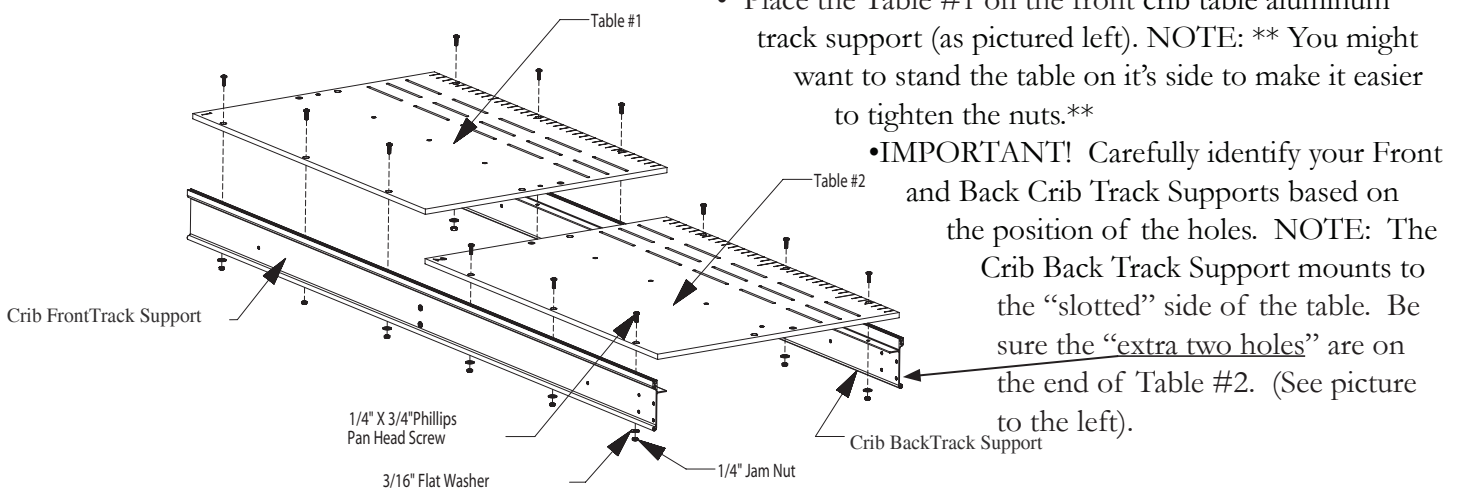
12 or 18\* or 24\*\*- 3/16" Flat Washer

12 or 18\* or 24\*\*- 1/4" Jam Nut

- Queen assembly ONLY

- King assembly ONLY

**HINT:** Some holes in the wood pieces may be a little tight for the hardware. If this is case, tap the hardware in using the handle of your screw driver.

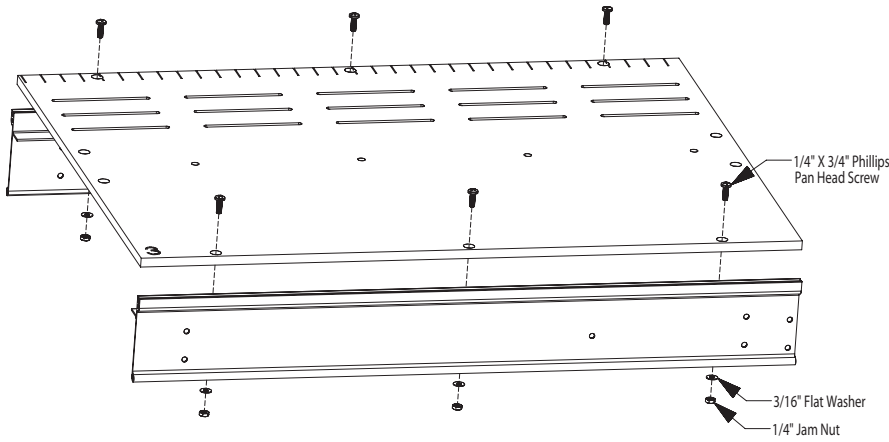


- Put a phillips pan head screw through the middle hole on the Table #1 through the front crib table aluminum track support. Next, place a 3/16" flat washer and 1/4" jam nut on the end of each screw. Tighten these nuts completely.

- Put a phillips pan head screw through the other two holes on the top of Table #1, and then put a flat washer followed by a jam nut on each end.

- Follow the above steps to attach the front crib table aluminum track support to the Table #2.

- Follow the above steps to attach the back crib table aluminum track support to the Table #1 and #2.

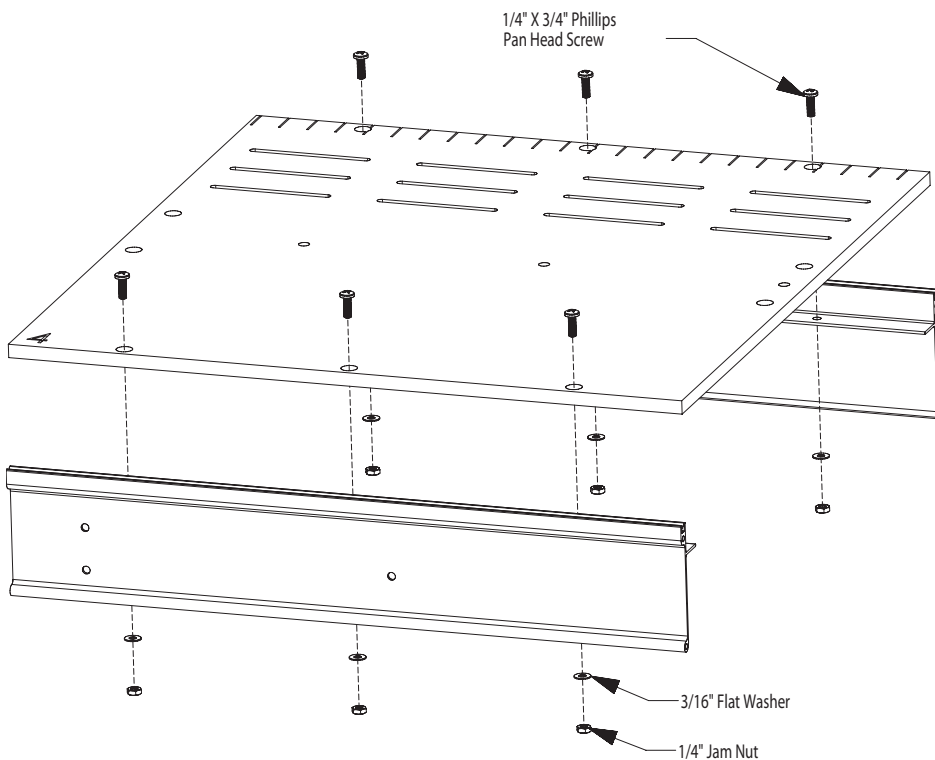


#### QUEEN ASSEMBLY:

- Place the Table #3 on the front queen table aluminum track support (as pictured left). **IMPORTANT!** Again, carefully identify your Front and Back Crib Track Supports based on the position of the holes. Mount the Crib Back Track Support to the “slotted side” of the table.

- Put a phillips pan head screw through the middle hole on the Table #3 through the front queen table aluminum track support, and then on the end of the phillips pan head screw put a flat washer followed by a jamb nut.

- Put a phillips pan head screw through the other two holes on the Queen Table #3, and then put a flat washer followed by a jam nut on each end. Tighten all jam nuts completely.



#### KING ASSEMBLY:

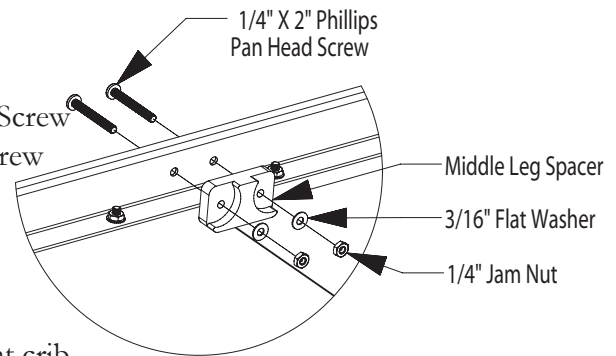
- Place the Table #4 on the front king table aluminum track support (as pictured left).

- Put a phillips pan head screw through the middle hole on the Table #4 through the front king table aluminum track support, and then on the end of the phillips pan head screw put a flat washer followed by a jamb nut.

- Put a phillips pan head screw through the other two holes on the Table #4, and then put a flat washer followed by a jam nut on each end. Tighten all jam nuts completely.

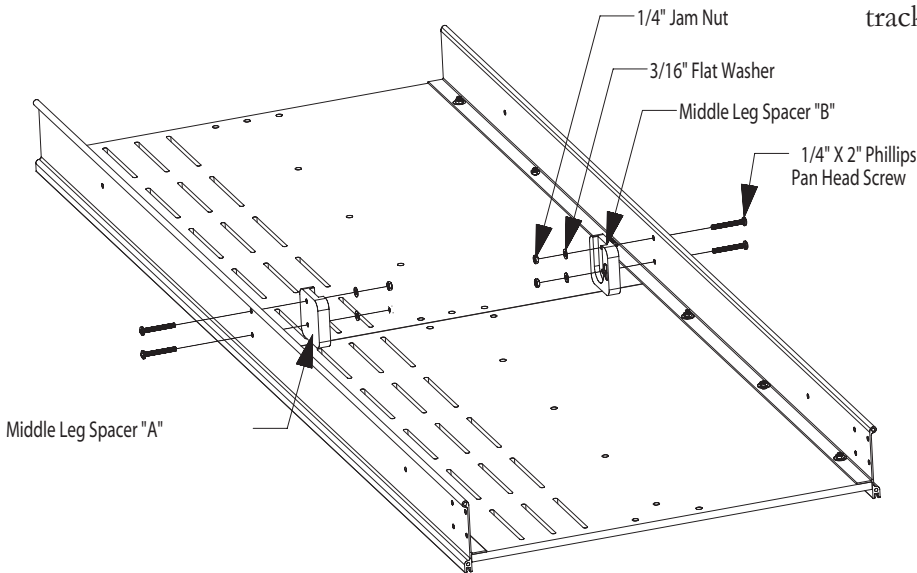
## Step 6: Middle Leg Spacer Assembly

- Parts Needed: 1- Crib Table (assembled)  
 1\*- Queen Table (assembled)  
 1\*\*- King Table (assembled)  
 2- Middle Leg Spacer  
 1\* or 2\*\*- Track Support Spacers A  
 1\* or 2\*\*- Track Support Spacers B  
 4 or 8\* or 12\*\*- 1/4" X 2" Phillips Pan Head Screw  
 8\* or 16\*\*- 1/4" X 3/4" Phillips Pan Head Screw  
 4 or 12\* or 24\*\* 3/16" Flat Washer  
 4 or 12\* or 24\*\*- 1/4" Jam Nut  
 \* Queen assembly ONLY  
 \*\*King assembly ONLY



- Place the flat side of the Middle Leg Spacer against the front crib table aluminum track support (as show above right).

- Put one 2" phillips pan head screw through the right most hole in the front crib table aluminum track support, which will then go through the Middle Leg Spacer.



- Place a 3/16" flat washer on the end of the screw, and then a jam nut. tighten all jam nuts completely as you go.

- Put a 2" phillips pan head screw through the left hole following the same steps as you did for the right.

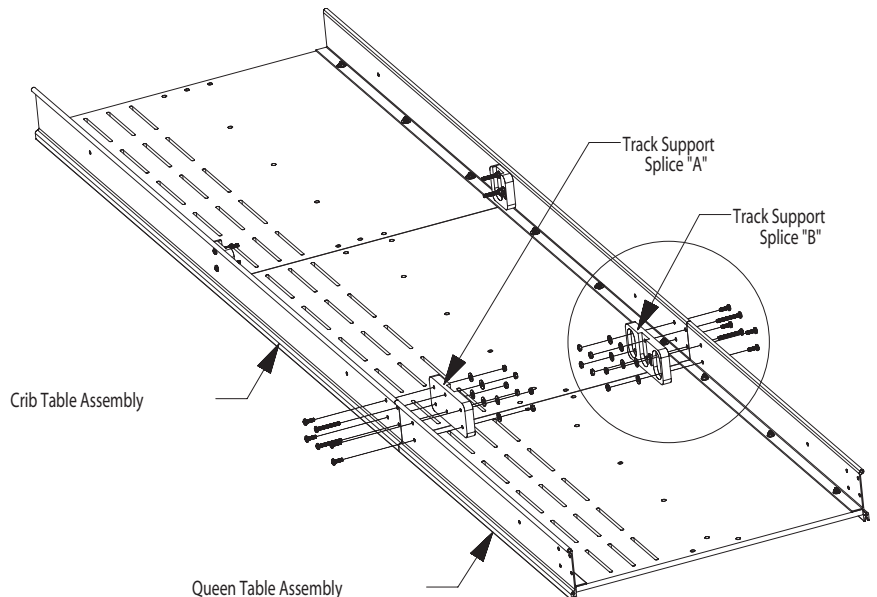
- Follow the above steps to attach the Middle Leg Spacer to the back crib table aluminum track support.

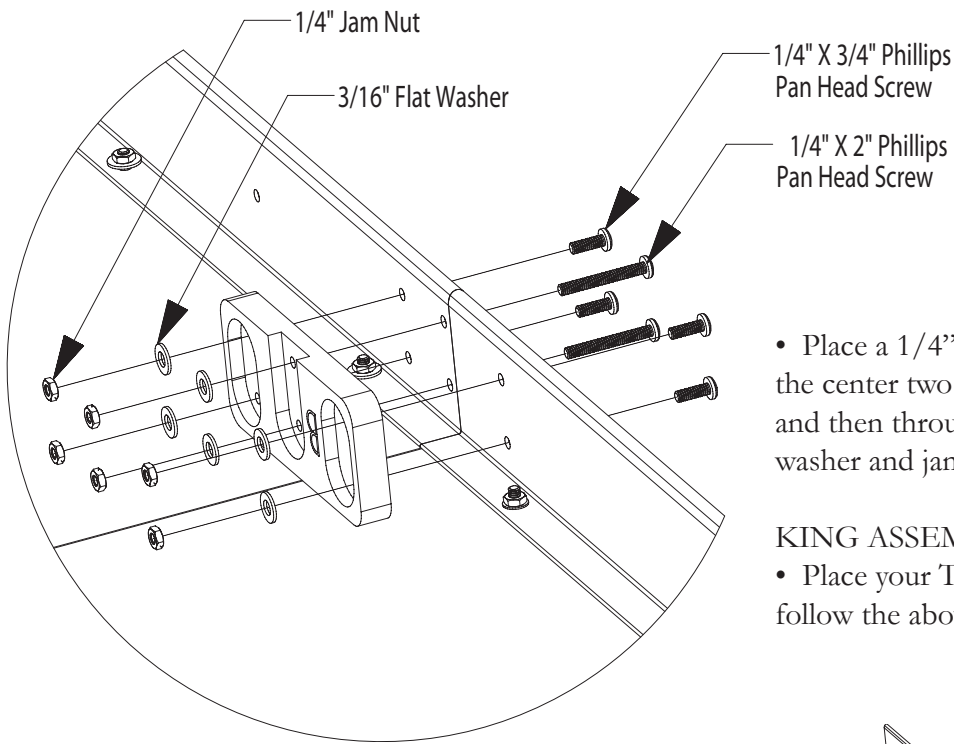
### QUEEN ASSEMBLY:

- Place your Table #3 next to you Table #1 & 2 assembly. (NOTE! Be sure the "extra two holes" in the Track Supports are on the end opposite from Tables #1 & 2).

- Where your Crib Table meets your Queen table you will need to place a Table Splice (flat end against the aluminum track support).

- Place a 2" phillips pan head screw through the *center two holes* (see close-up next page) in the aluminum track support and then through the Table Splice. Place a washer and jam nut on the ends of the screws and tighten completely.





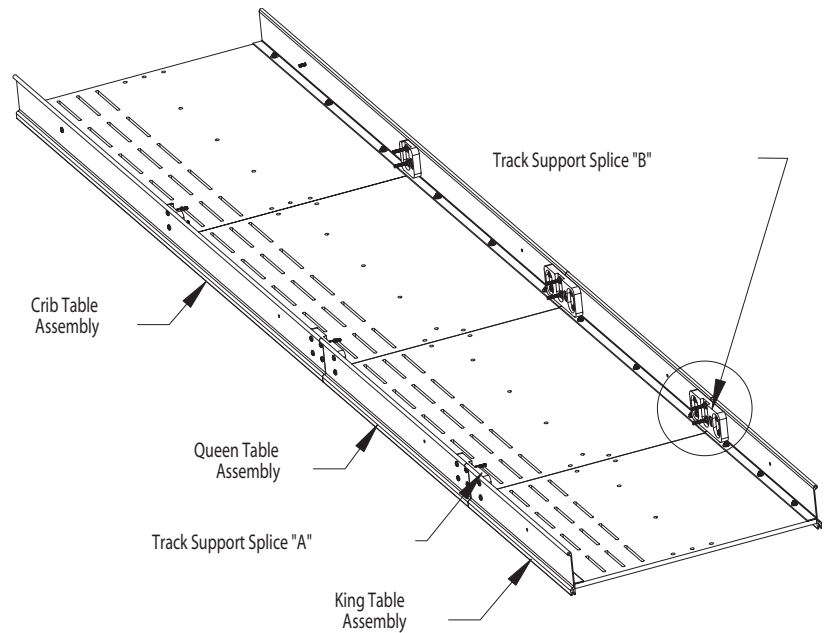
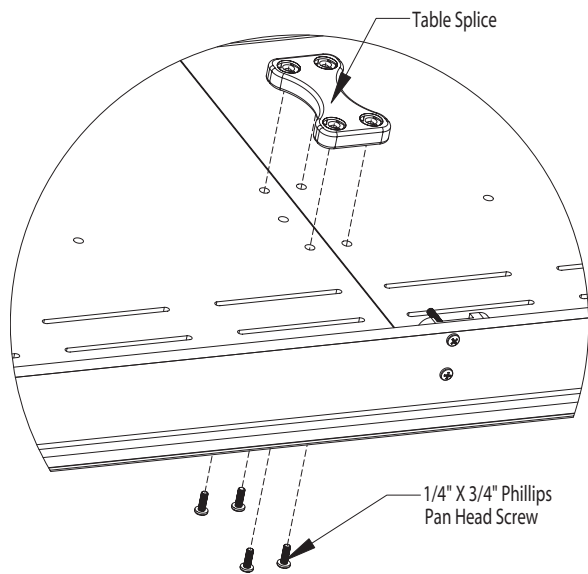
- The 1/4 X 3/4" phillips pan head screws will go through the end two holes with a washer and jam nut on the end.

- Follow the above steps for the other side

- Place a 1/4" X 2" phillips pan head screw through the center two holes in the aluminum track support and then through the Table Splice. Then place a washer and jam nut to the ends of the screws.

**KING ASSEMBLY:**

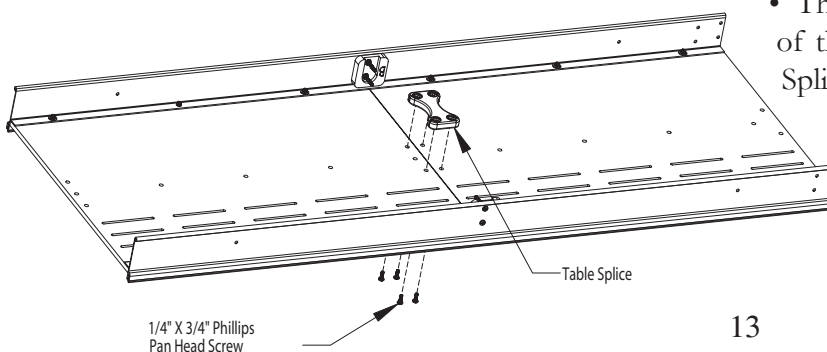
- Place your Table #3 next to you Table #4, and follow the above steps to complete your king set up.



**Step 7: Table Splice to Table Assembly**

Parts Needed: 1- Crib or Queen\* or King\*\* Table  
 1 or 2\* or 3\*\*- Table Splice  
 4 or 8\*\* or 12\*\*-1/4" x 3/4" Phillips Pan Head Screw

- Place a Table Splice over the seam in the table (between Table #1 and #2).
- Thread the philips pan head screws through the top of the table with the ends screwing into the Table Splice under the the table, as pictured left and above).



- Place a Table Splice over the seam between Table #2 and #3 (if you are setting up in Queen or King), and follow the above directions.
- Place a Table Splice over the seam between Table #3 and #4 (if you are setting up in King).

## Step 8: Frame End Hardware Assembly

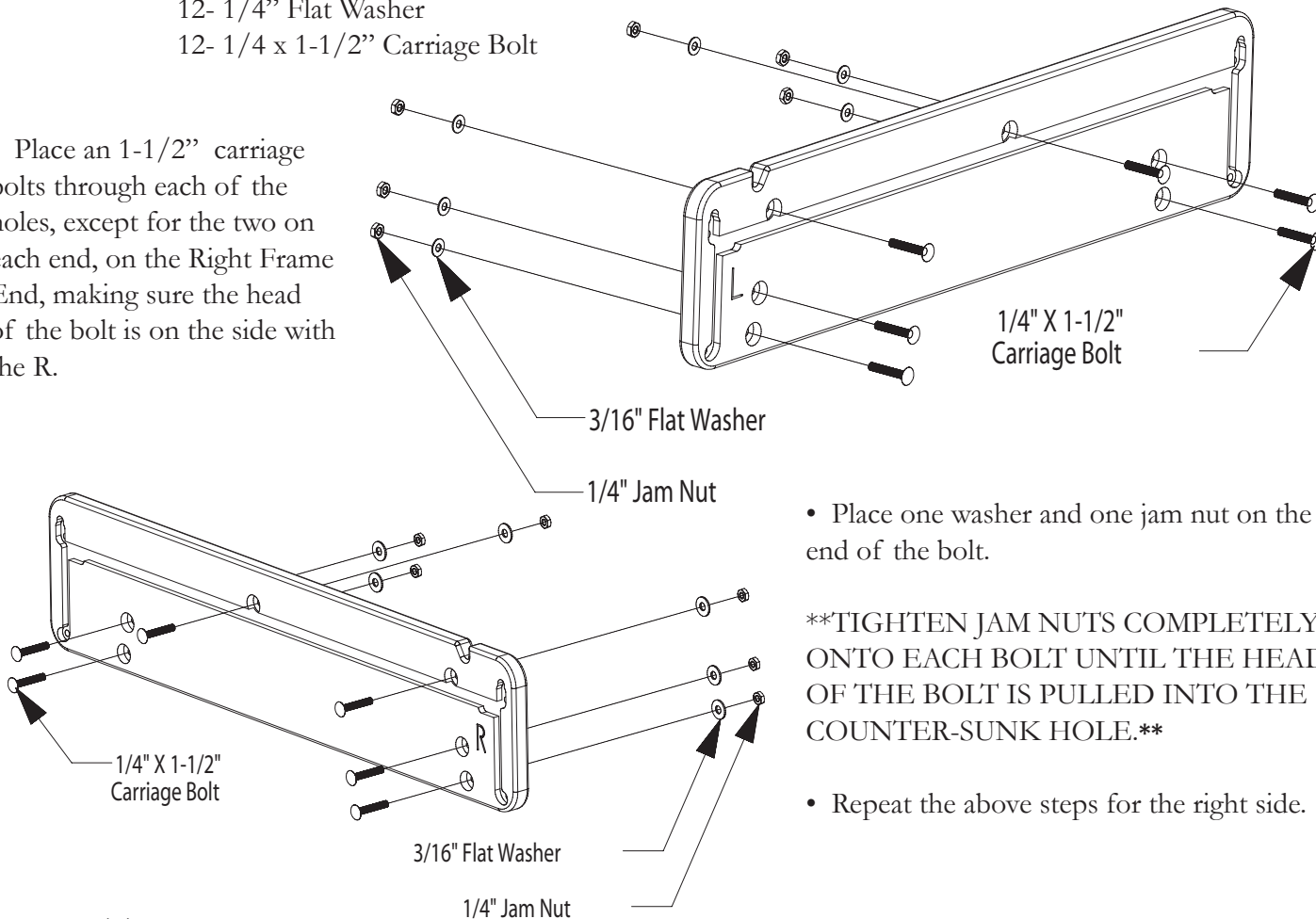
Parts Needed: 1- Right and Left Frame End

12- 1/4" Jam Nut

12- 1/4" Flat Washer

12- 1/4 x 1-1/2" Carriage Bolt

- Place an 1-1/2" carriage bolts through each of the holes, except for the two on each end, on the Right Frame End, making sure the head of the bolt is on the side with the R.



- Place one washer and one jam nut on the end of the bolt.

**\*\*TIGHTEN JAM NUTS COMPLETELY ONTO EACH BOLT UNTIL THE HEAD OF THE BOLT IS PULLED INTO THE COUNTER-SUNK HOLE.\*\***

- Repeat the above steps for the right side.

## Step 9: Track Installation

Crib Parts Needed: 2- 71-1/2" Plastic Track

1- Crib Table (assembled)

Queen Parts Needed: 2- 105-1/2" Plastic Track

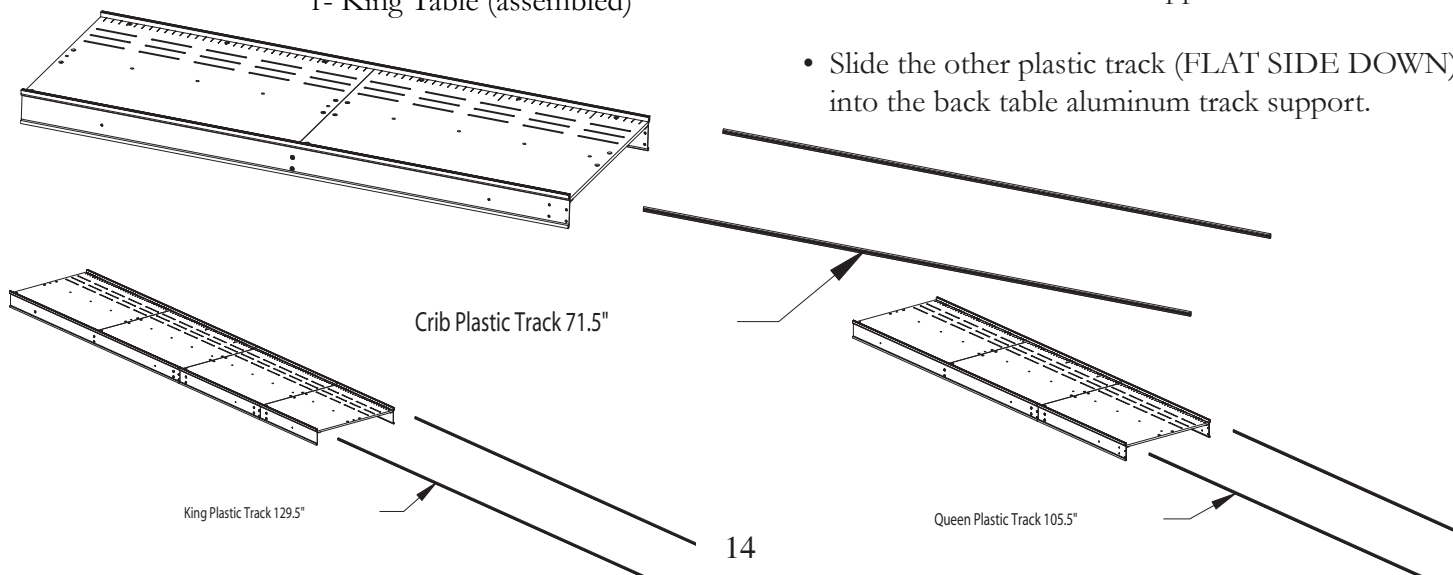
1- Queen Table (assembled)

King Parts Needed: 2- 129-1/2" Plastic Track

1- King Table (assembled)

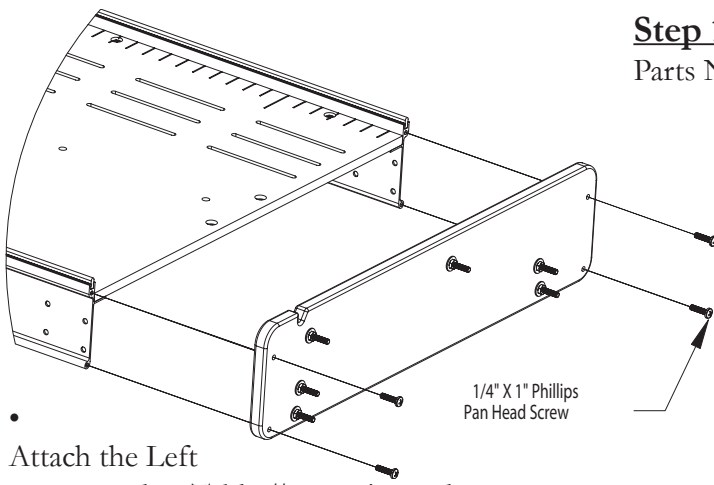
- Slide one of the plastic track (FLAT SIDE DOWN) into the front table aluminum track support.

- Slide the other plastic track (FLAT SIDE DOWN) into the back table aluminum track support.



## Step 10: Frame End Assembly to Table Assembly

Parts Needed: 1- Table Assembled (Crib or Queen or King)  
 1- Right and Left Frame End Assembly  
 8- 1/4 x 1" Phillips Pan Head Screw

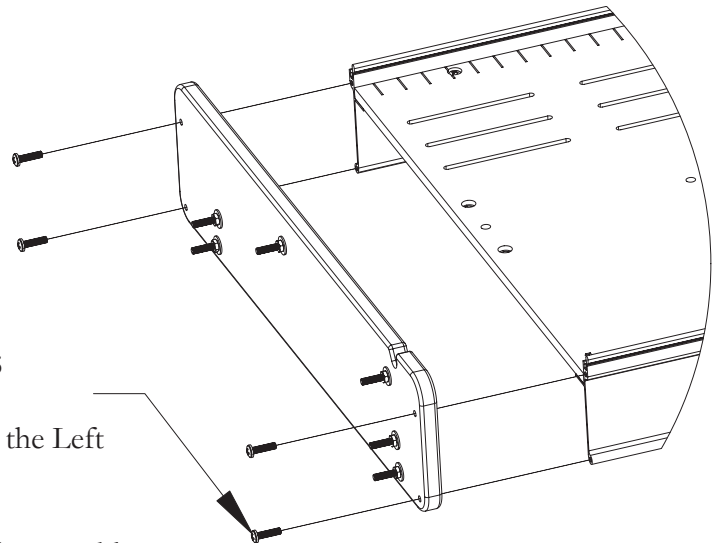


Attach the Left Frame End to Table #1, as pictured below, with the bolts facing away from the frame.

- Put a screw through each hole on the outside corners of the Left Frame End, and into the holes in the track supports.

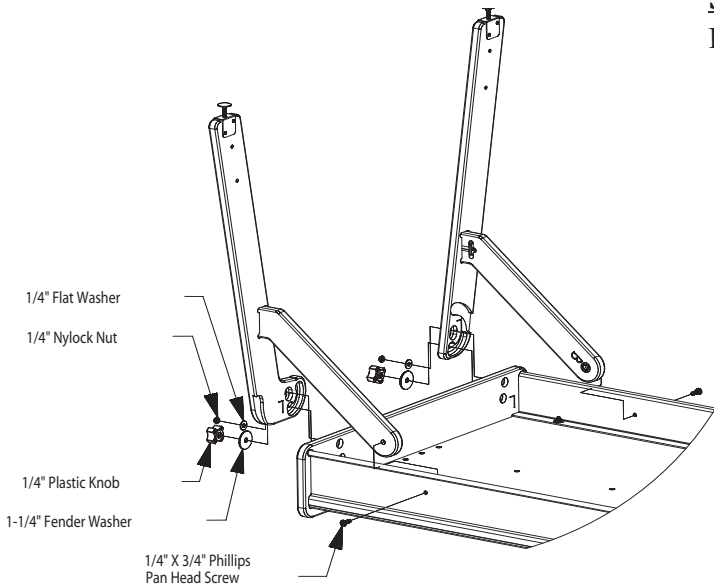
- You will attach the Right Frame End to the right side of your table. (#2 if Crib, #3 if Queen, and #4 if King)

1/4" X 1" Phillips Pan Head Screw



## Step 11: Side Leg to Table Assembly

Parts Needed: 1- Table Assembly (Crib or Queen or King)  
 2- Right and Left Back Leg (assembled)  
 2- Right and Left Front Leg (assembled)  
 4- 1/4 x 3/4" Phillips Pan Head Screw  
 4- 1/4" Flat Washer  
 4- 1/4" Nylock Nut  
 4- 1-1/4" Fender Washer  
 4- 1/4" Plastic Knob



- Tip your table so it is upside down, if it is not that way already.

- Take your Front Left Leg and place it on the bolts stick out of your Left Frame End, (as pictured left).

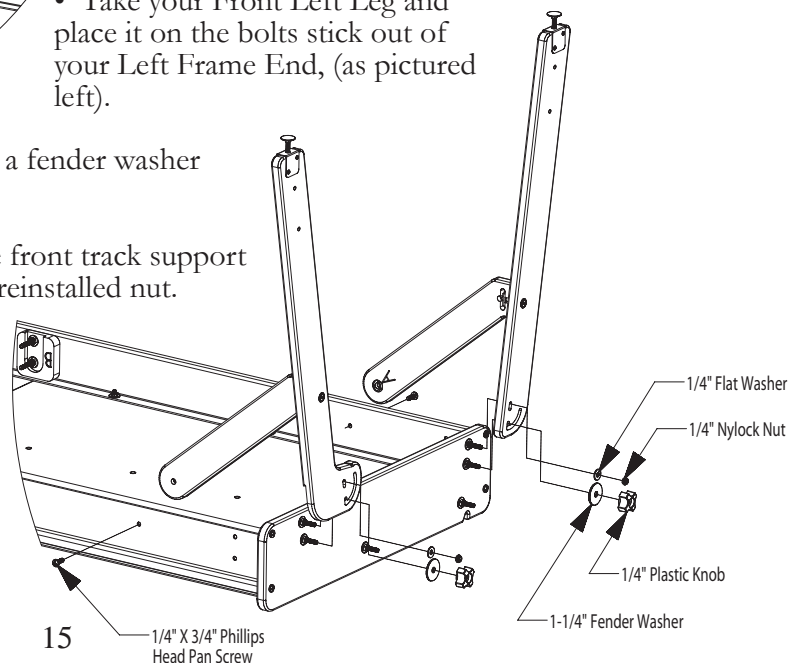
- The bolt closest to the floor is where you will place a fender washer followed by a plastic knob.

- Then you will take a screw and insert it through the front track support to the Outer Leg Brace B, where it will screw into a preinstalled nut.

- Place a flat washer followed by a nylock nut on the bolt above the plastic knob.

**\*\*NOTE!!** Leave all the nylock nuts loose enough to slide in the joint, and loose enough to allow the washer to turn in your fingers! **\*\***

- Follow the above instructions to install the Left Back Leg as well as the Right Front and Back Legs.



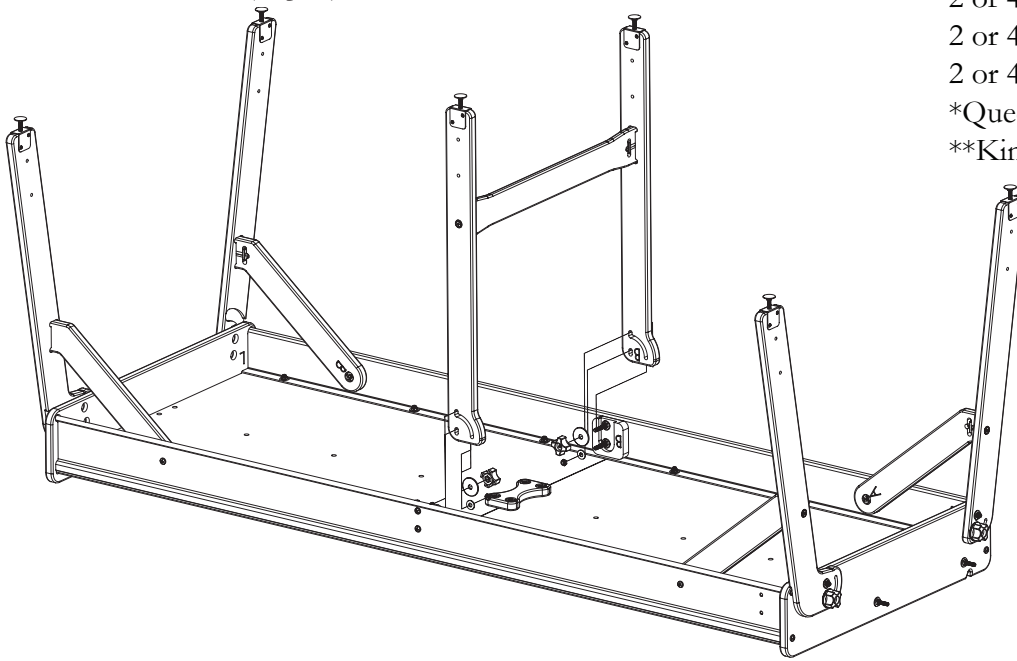
15

1/4" X 3/4" Phillips Head Pan Screw

NOTE: This illustration shows the Middle Leg Brace assembled to the Middle Legs. Do this AFTER you have installed you Middle Legs to the frame (Step 13).

## Step 12: Middle Leg Installation

Parts Needed: 1 or 2\* or 3\*\*- Middle Leg (assembled)  
 2 or 4\* or 6\*\*- 1/4" Plastic Knob  
 2 or 4\* or 6\*\*- 1-1/4" Fender Washer  
 2 or 4\* or 6\*\*- 1/4" Nylock Nut  
 2 or 4\* or 6\*\*- 1/4" Flat Washer  
 \*Queen Assembly ONLY  
 \*\*King Assembly ONLY



- Make sure your GMQ Pro is still upside down, as illustrated left.

- Put the "B" side of your Middle Leg on the bolts, which are on the front of your frame. \*\*Don't worry about putting side "A" on yet.\*\*

- You will have to push the "A" Side in enough to get it on the bolts on the back side of your frame.

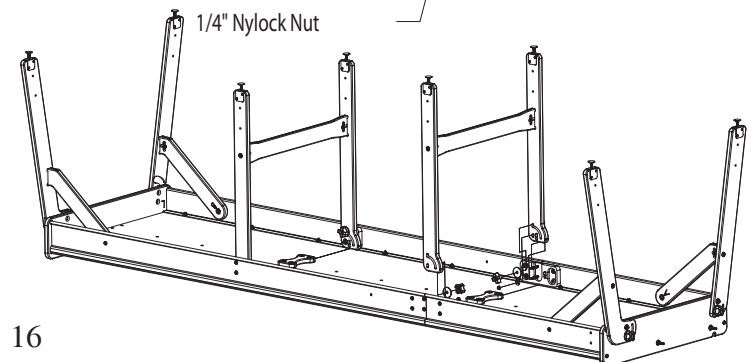
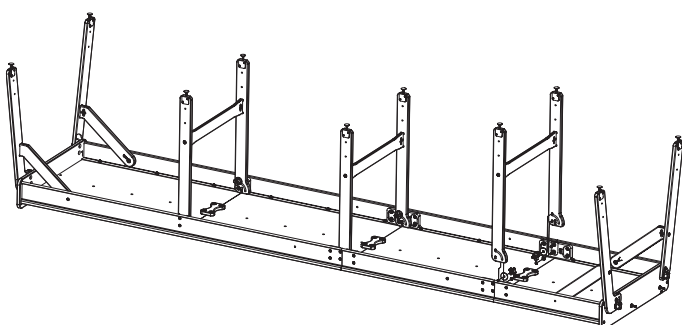
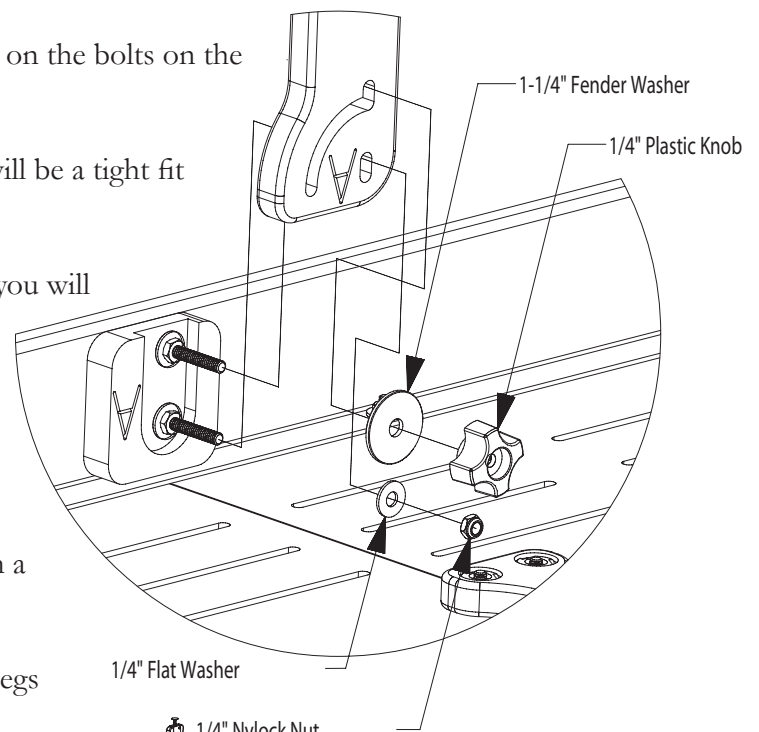
\*\*It is okay to tap the leg into place with your hand, it will be a tight fit when you start.\*\*

- The bolt to the bottom, closest to the table, is where you will put a flat washer followed by a nylock nut.

\*\*NOTE!! Leave all the nylock nuts loose enough to slide in the joint, and loose enough to allow the washer to turn in your fingers!\*\*

- On the top bolt you will put a fender washer and then a plastic knob.

- You will follow the above steps to put on your other legs for Queen or King.



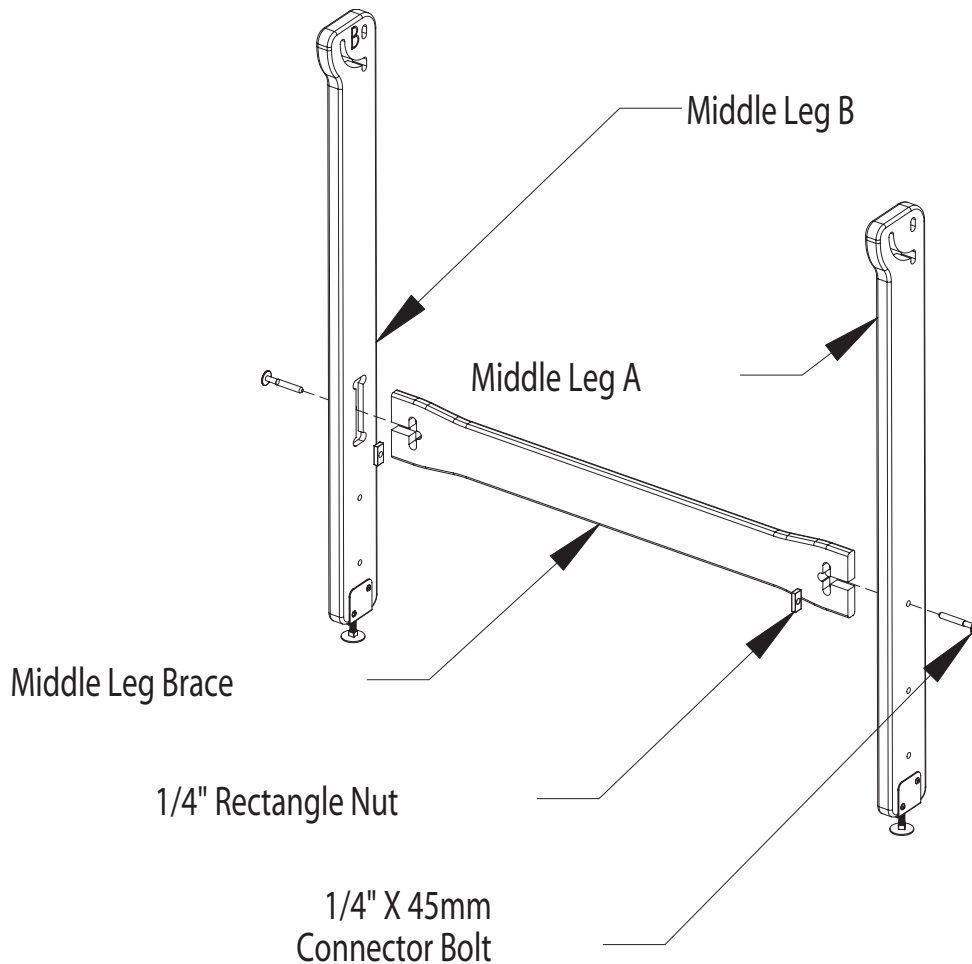


### Step 13: Middle Leg Assembly

- Parts Needed: 1 or 2\* or 3\*\*- "A" Middle Leg  
1 or 2\* or 3\*\*- "B" Middle Leg  
1 or 2\* or 3\*\*- Middle Leg Brace  
2 or 4\* or 6\*\*- 1/4 X 45mm Connector Bolt  
2 or 4\* or 6\*\*- 1/4 Rectangle Nut (threaded)  
\* Queen assembly ONLY  
\*\* King assembly ONLY

- Connect the "A" and "B" Middle legs by placing the connector bolts through each leg hole as pictured, and into the Middle Leg Brace.
- Place a rectangle nut in the Middle Leg Brace so the connector bolt can be screwed into the nut tight.

\*\*NOTE: if you are setting up for queen, you will assembly two sets of legs, and three for king.\*\*



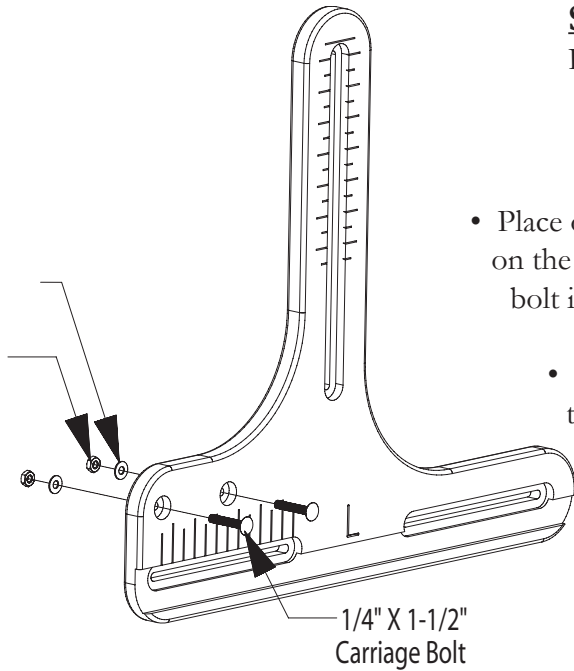
### Step 14: Take Up Sides Assembly

Parts Needed: 1- Right and Left Take Up Side  
 4- 1/4" Jam Nut  
 4- 3/16" Flat Washers  
 4- 1/4" x 1-1/2" Carriage Bolt

- Place one of the carriage bolts through each of the holes on the Left Take Up Side, making sure the head of the bolt is on the side with the L.

3/16" Flat Washer

1/4" Jam Nut

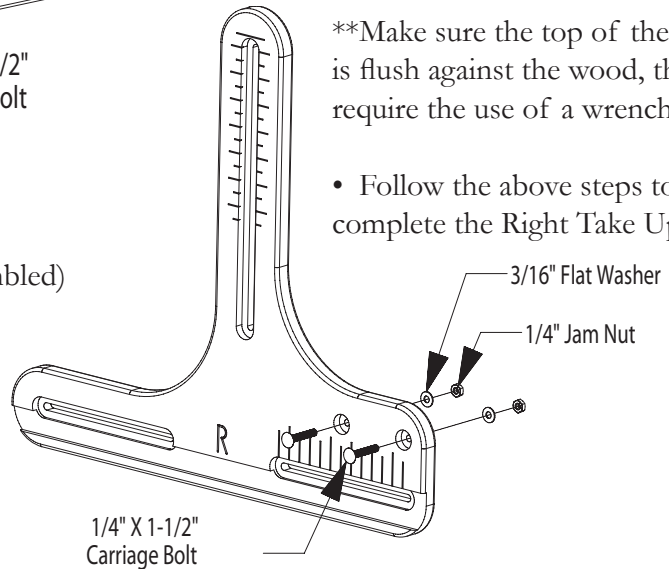


- Place one washer and one jam nut on the end of the bolt.

- **TIGHTEN JAM NUTS COMPLETELY ONTO EACH BOLT.**

**\*\*Make sure the top of the bolt is flush against the wood, this will require the use of a wrench.\*\***

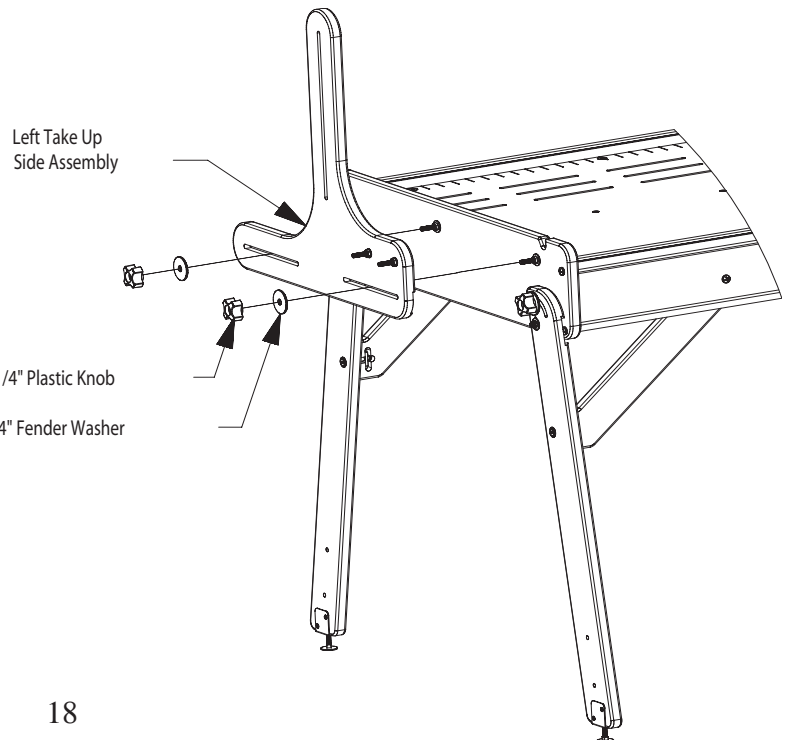
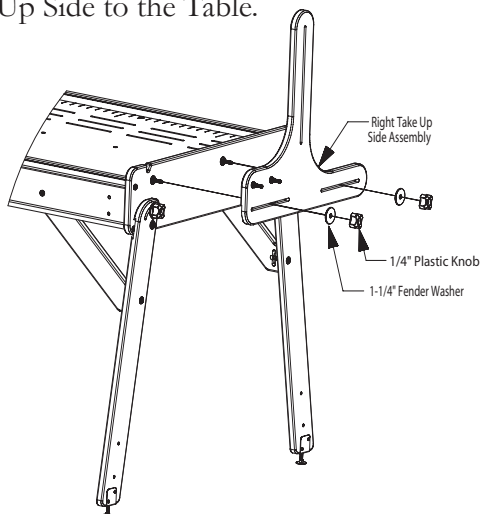
- Follow the above steps to complete the Right Take Up Side.

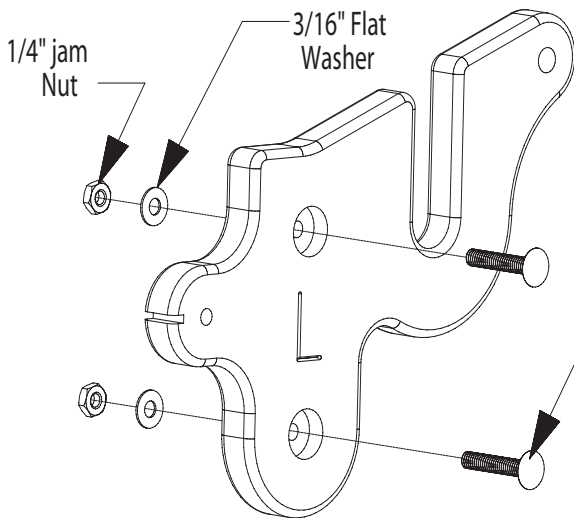


### Step 15: Take Up Sides to Table Assembly

Parts Needed: 1- Right and Left Take Up Side (assembled)  
 4- 1/4" Plastic Knobs  
 4- 1-1/4" Fender Washers

- Make sure your table upside right, if it is not that way already, as pictured left.
- Take your Left Take Up Side and place it on the bolts stick out of your Left Frame End, (as pictured left).
- Place a fender washer on the end of each of the bolts.
- Screw a plastic knob on the end of each of the bolts.
- Follow the above instructions to attach the Right Take Up Side to the Table.





### Step 16: Take Up Rail Mount End Assembly

- Parts Needed: 1- Right and Left Take Up Rail Mount End  
 4- 1/4" Jam Nut  
 4- 3/16" Flat Washer  
 4- 1/4" X 1-1/2" Carriage Bolt

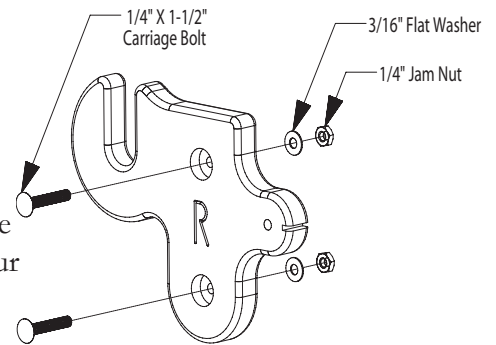
- Place one of the carriage bolts through each of the holes on the Left Take Up Rail Mount End, making sure the head of the bolt is on the side with the L.
- Place one washer and one jam nut on the end of the bolt.

• TIGHTEN JAM NUTS COMPLETELY ONTO EACH BOLT.

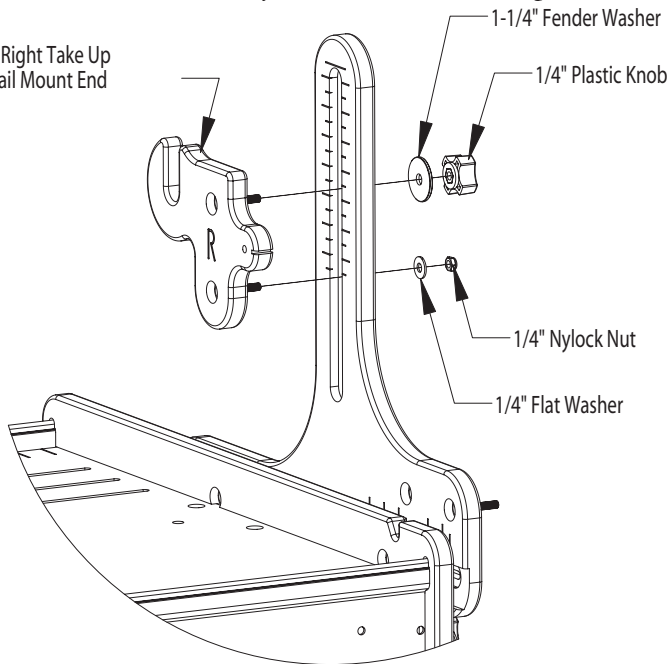
• Make sure the top of the bolt is flush against the wood, this may require the use of a wrench, or something like a wrench that you have around your house.

• Repeat the above steps for the Right side.

Hint- If it is hard to push the bolt through, try turning it as you put in the hole. After a little bit you should be able to push it in.



Right Take Up Rail Mount End



### Step 17: Take Up End to Table Assembly

- Parts Needed: 1- Right and Left Take Up End Assembly  
 2- 1-1/4" Fender Washer  
 2- 1/4" Plastic Knob  
 2- 1/4" Nylock Nut  
 2- 1/4" Flat Washer

- As shown in the drawing, place the bolts in the Right Take Up Rail Mount End through the first slot on the Right Rail Mount End.

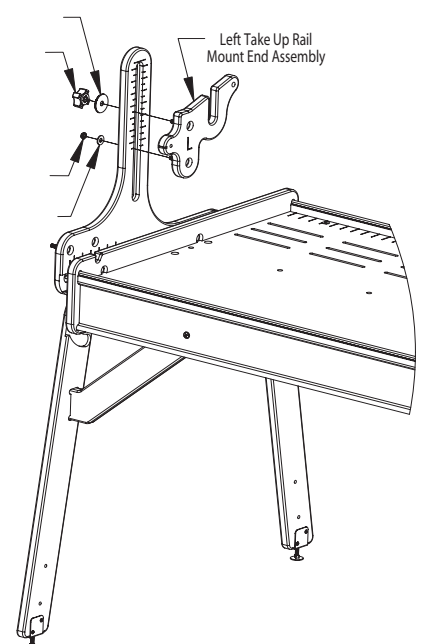
• Place a fender washer followed by a plastic knob on the top bolt.

• The nylon side of the nylock nut faces out when threading it on the bolt.

• Put a washer and then a nylock nut on the bottom bolt.

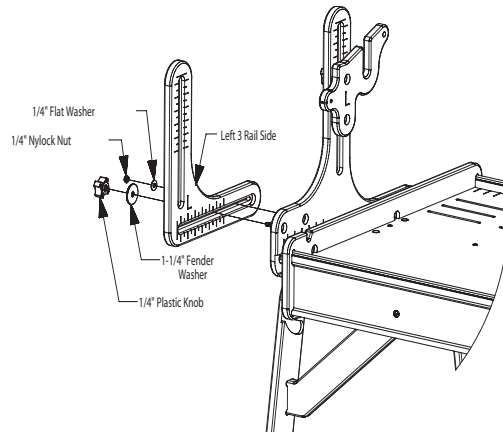
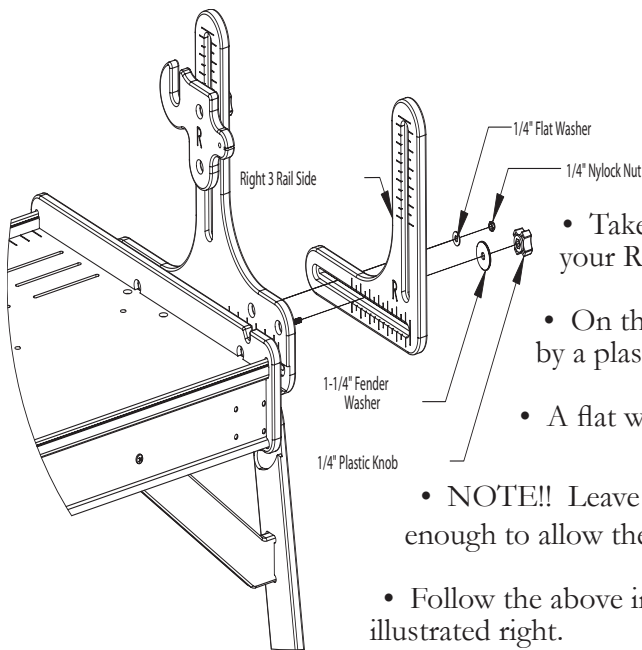
• Follow the above steps for the Left Take Up Rail Mount End.

1-1/4" Fender Washer  
 1/4" Plastic Knob  
 1/4" Nylock Nut  
 1/4" Flat Washer



## Step 18: Three Rail Side to Table Assembly

Parts Needed: 1- Right and Left Three Rail Side  
 2- 1-1/4" Fender Washer  
 2- 1/4" Plastic Knob  
 2- 1/4" Nylock Nut  
 2- 1/4" Flat Washer



- Take your Right Three Rail Side and place it on the bolts stick out of your Right Take Up Side, (as pictured above).

- On the front most bolt you will need to put a fender washer followed by a plastic knob.

- A flat washer followed by a nylock nut will go on the other bolt.

- NOTE!! Leave all the nylock nuts loose enough to slide in the joint, and loose enough to allow the washer to turn in your fingers! \*\*

- Follow the above instructions to attach the Left Three Rail Side Left Take Up Side, illustrated right.

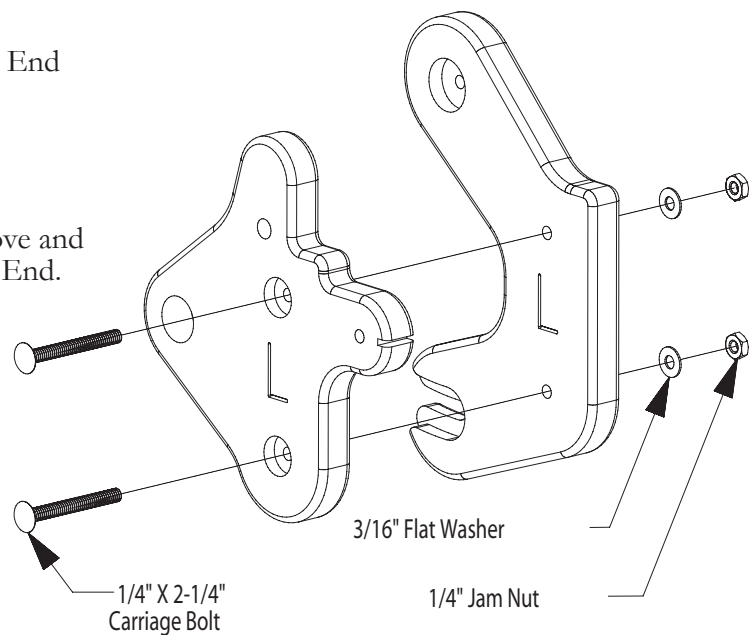
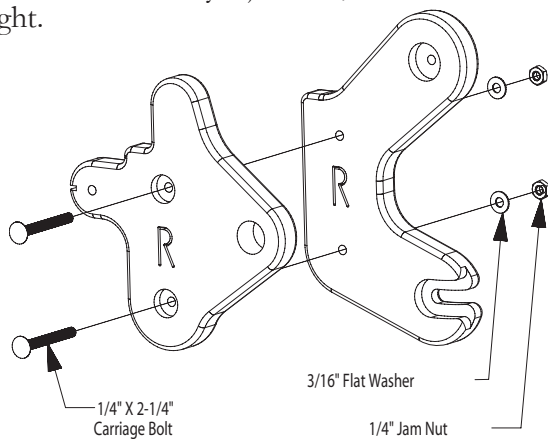
## Step 19: Pivot End to Fabric Layer Rail Mount End

Parts Needed: 1-Right and Left Pivot End  
 1-Right Left Fabric Layer Rail Mount End  
 4- 1/4" x 2-1/4" Carriage Bolts  
 4- 3/16" Flat Washers  
 4- 1/4" Jam Nuts

- Place a carriage bolt through each of the holes above and below the "L" on your Left Fabric Layer Rail Mount End.

- The bolts in your Left Fabric Layer Rail Mount End need to go through the holes above and below the "L" on your Left Pivot End, with the "L's" on top of each other, as pictured right.

- On the end of each bolt you will place a flat washer followed by a jam nut, which needs to be tight.



- TIGHTEN JAM NUTS COMPLETELY ONTO EACH BOLT

- Make sure the top of the bolt is flush against the wood, this will require the use of a wrench.

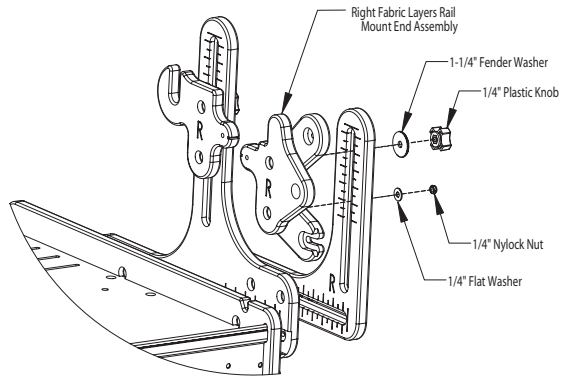
- Follow the same process to complete the assembly right side.

## Step 20: Pivot End/ Fabric Layer Rail Mount End to Table Assembly

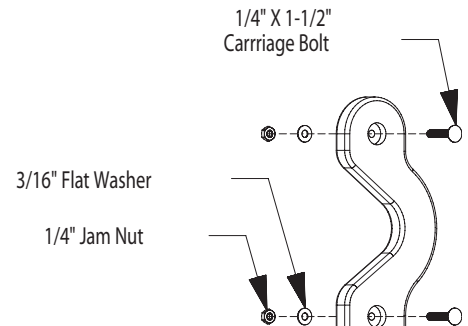
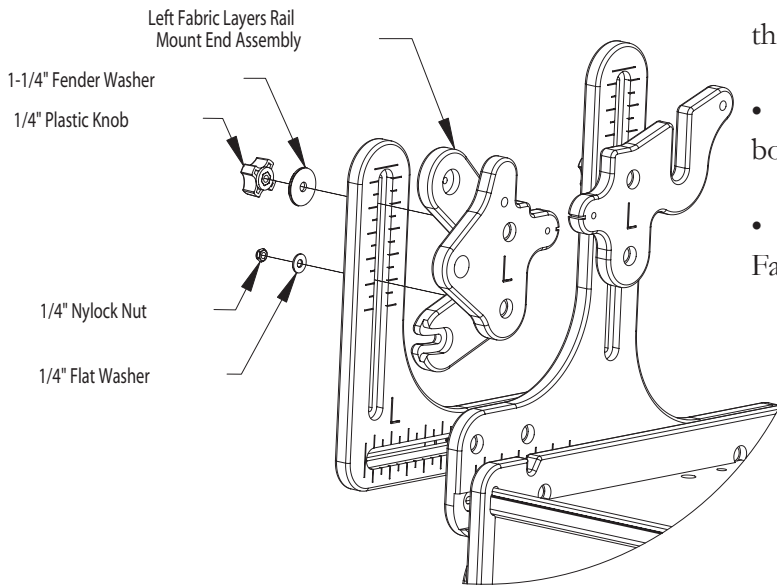
- Parts Needed: 1- Right and Left Pivot End/ Fabric Layer Rail Mount End Assembly  
 2- 1/4" Plastic Knob  
 2- 1-1/4" Fender Washer  
 2- 1/4" Nylock Nut  
 2- 1/4" Flat Washer

- As shown in the drawing, place the bolts in the Right Pivot End/ Fabric Layer Rail Mount End Assembly through the slots in the Right Three Rail Side.

- Place a fender washer followed by a plastic knob on the top bolt.



- The nylon side of the nylock nut faces out when threading it on the bolt.
- Put a washer and then a nylock nut on the bottom bolt.
- Follow the above steps for the Left Pivot End/ Fabric Layer Rail Mount End Assembly.



## Step 21: Batting Rail Mount End

- Parts Needed: 1- Right and Left Batting Rail Mount End  
 4- 1/4" x 1-1/2" Carriage Bolt  
 4- 3/16" Flat Washer  
 4- 1/4" Jam Nut

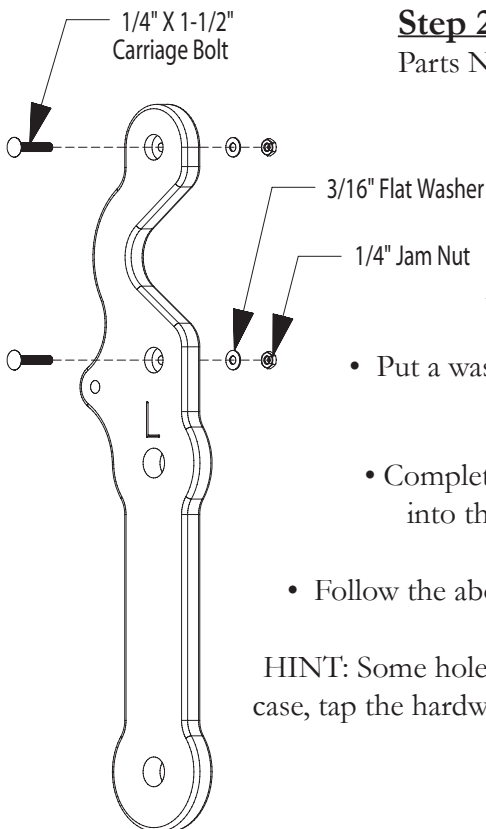
- Thread a bolt through each of the top two holes of your Right Batting Rail Mount End, with the heads of the bolt on the side with the "R".

- Put a washer and then a jam nut on each of the bolts.

- Completely tighten the jamb nut onto the bolt until the head of the bolt is pulled into the counter-sunk hole.

- Follow the above steps for the Left Pivot End/ Fabric Layer Rail Mount End Assembly.

HINT: Some holes in the wood pieces may be a little tight for the hardware. If this is the case, tap the hardware in using the handle of your screw driver.



## Step 22: Top Fabric Rail Mount End to Table Assembly

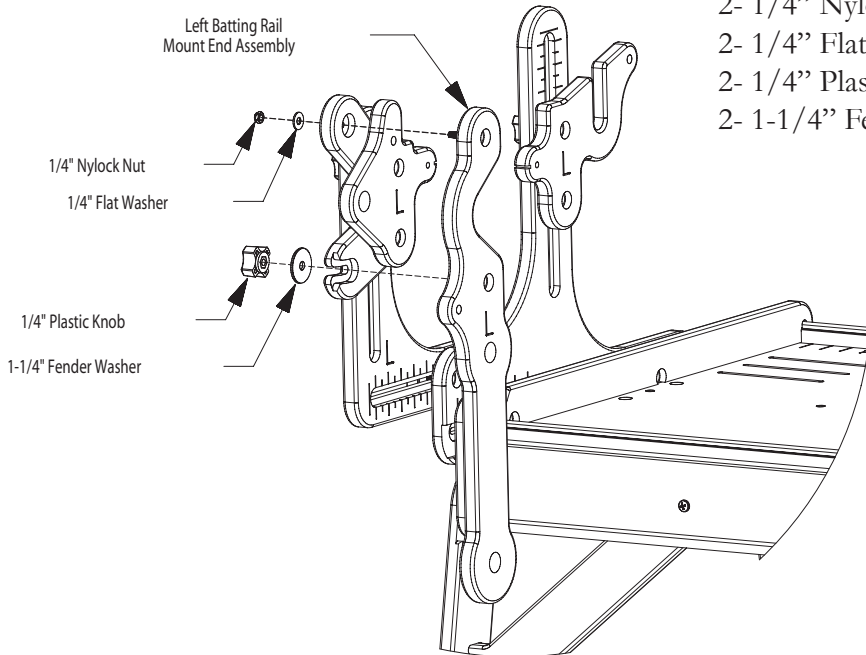
Parts Needed: 1- Right and Left Top Fabric Rail Mount End

2- 1/4" Nylock Nut

2- 1/4" Flat Washer

2- 1/4" Plastic Knob

2- 1-1/4" Fender Washer



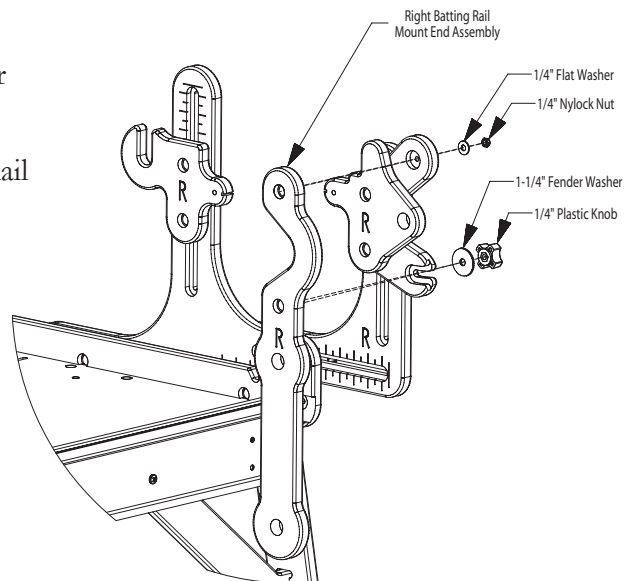
- Put the top bolt on your Left Batting Rail Mount End through the hole in the Left Pivot End, while the bottom bolt will slip through the slit in the Left Pivot End.

- On the top bolt you will need to put a flat washer followed by a nylock nut.

- **NOTE!!** Leave all the nylock nuts loose enough to slide in the joint, and loose enough to allow the washer to turn in your fingers!\*

- On the bottom bolt you will need to add a fender washer followed by a plastic knob.

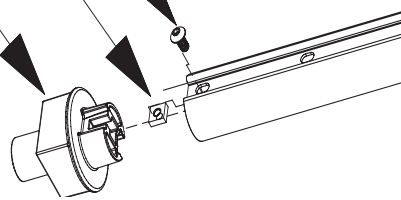
- Follow the above instructions to add the Right Batting Rail to your frame.



#10 Socket Head Screw

#10 Square Nut  
(pre-installed)

Square End Cap



## Step 23: Rail Assembly

Parts Needed: 4- 70" Rail

4\*- 34" Rail

4\*\*- 24" Rail

4\* or 8\*\*- Rail Coupler

4 or 8\* or 12\*\*- Round End Caps

4 or 8\* or 12\*\*- Square End Caps

8 or 16\* or 24\*\*- #10-24 Socket Head Screws

\* Queen, or \*\* King ONLY

- First you will install one square end cap on the end of each 70" Rail.

- In your square end caps you will find a square nut resting on top of a small piece of tubing. This will make assembly easier. Place the square end cap into the end of the 70" rail.

Round End Cap

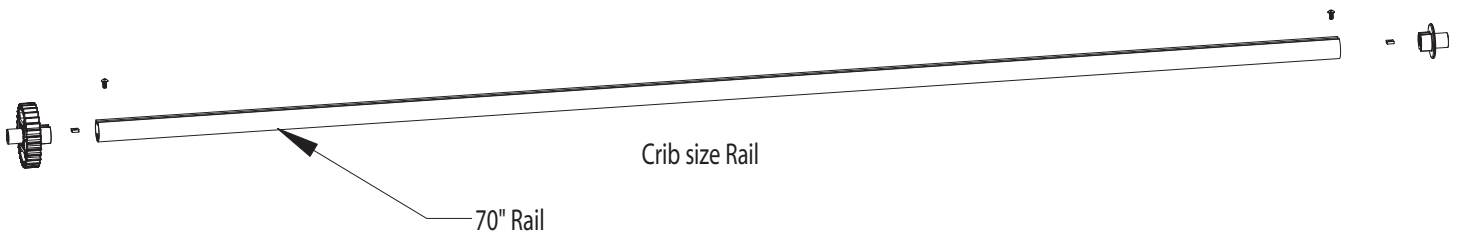
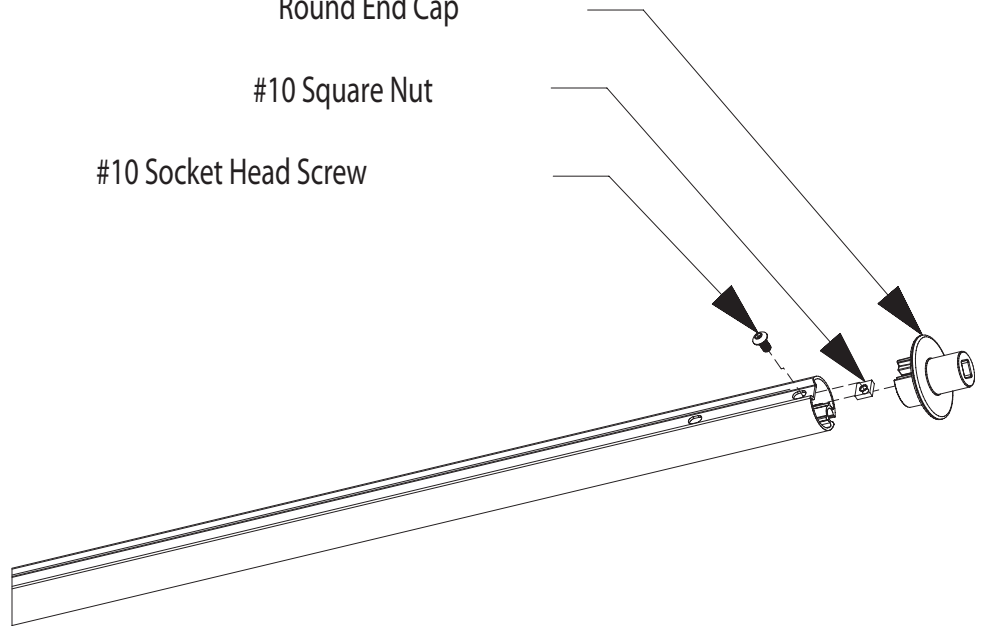
#10 Square Nut

#10 Socket Head Screw

- Next, insert a #10 socket head screw through the hole and into the square nut of the end cap.

- Follow the above instructions to put the rest of the square end caps on the 70" Rails.

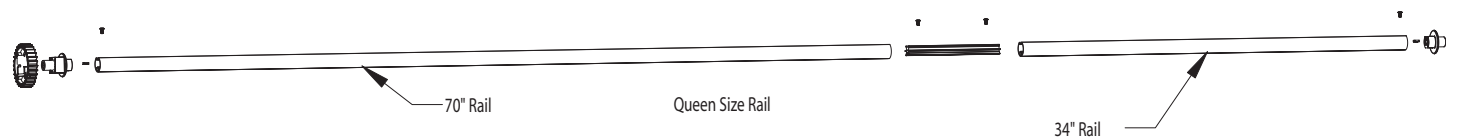
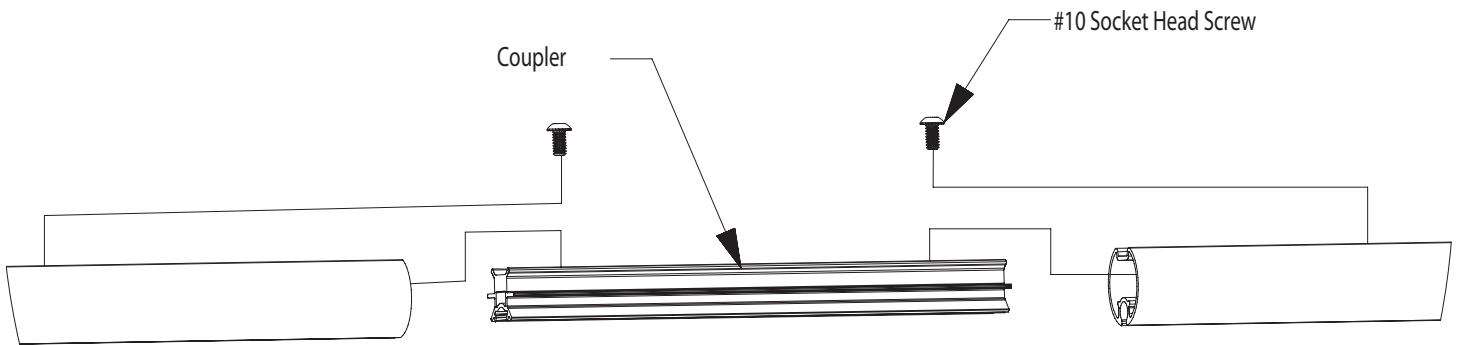
- If you are setting up your frame in crib you will put a round end cap on the other end in the same manner as above.



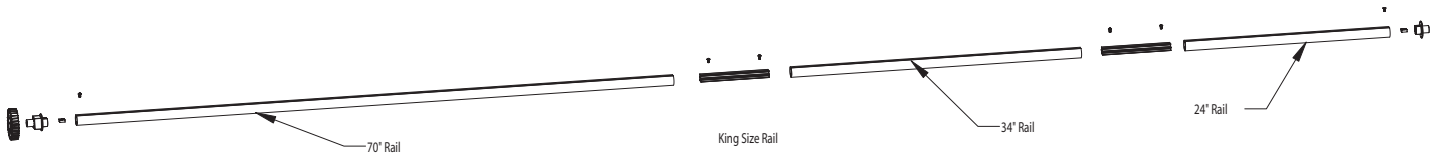
- If you are setting your frame up in the queen size, or king, you will need to add a coupler to the end that does not have the square end cap on the 70" Rail.

- First, insert one end of the coupler into the end of the rail. Insert a #10 socket head screw through the hole of the rail and into the threaded hole of the coupler. Tighten this screw all the way.

- Repeat this step for the other end of the coupler, connecting it to the the 34" rail.



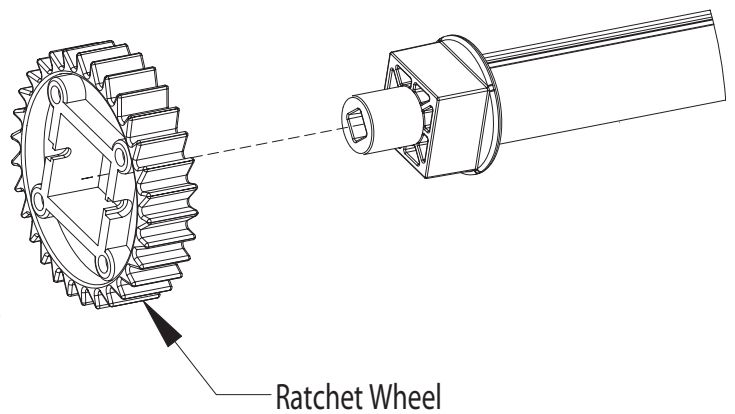
- If you are setting up your frame in king size, follow the same previous steps to attach an additional coupler onto the 34" and 24" rails.
- When you have the two rails attached you will put the round end caps in the end of the 24" Rail in the same manner as you did the square end caps.



### Step 24: Rails to Frame Assembly

- Parts Needed:
- 3- Ratchet Wheels
  - 8 - #8 7/8" Screw
  - 8 - End Cap Shoulders

- Place the ratchet wheel on three of the square plastic cap, and then place all your rails on the floor where they can lay flat.

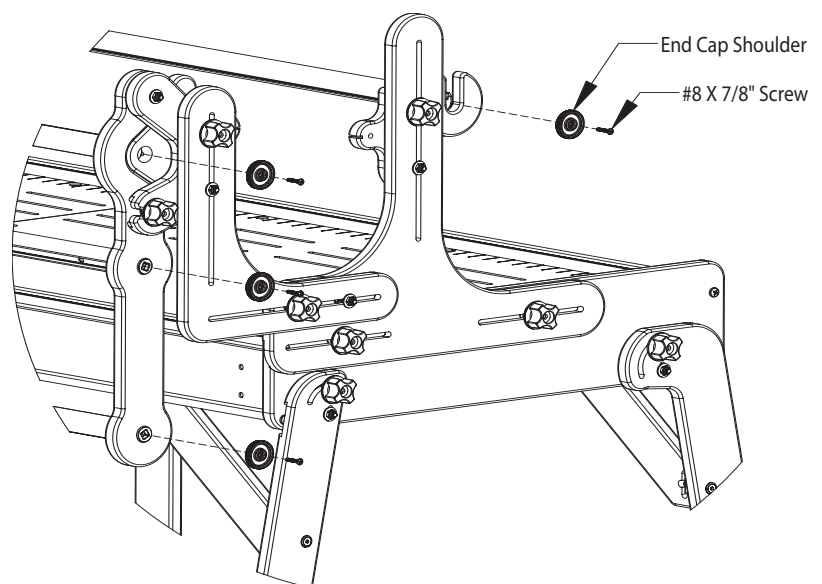


- Take the rail without the ratchet wheel on it and place it in the bottom of the Batting Rail Mount End, with the square end cap on the left side of the frame.

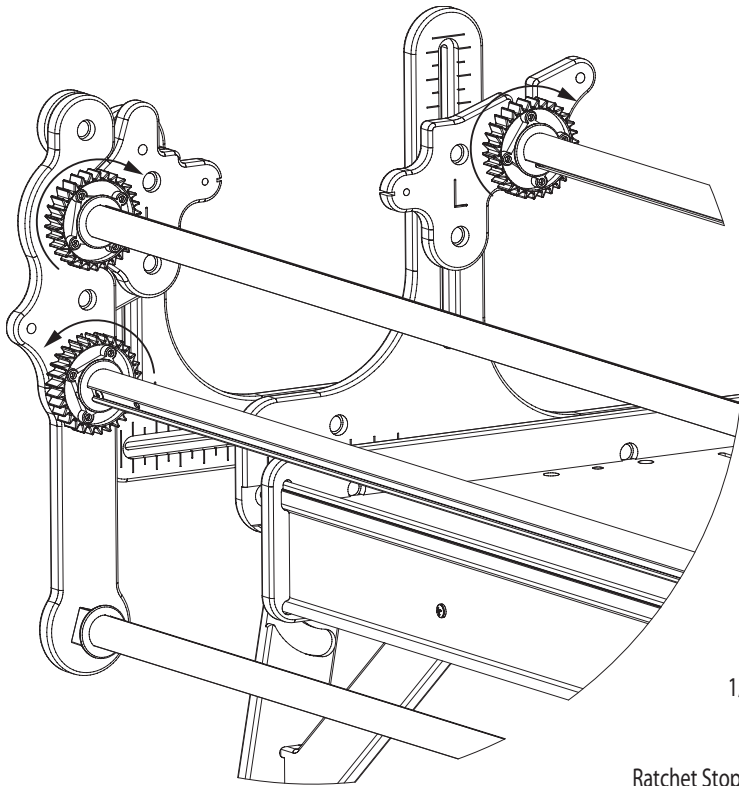
- Place an end cap shoulder in the hole on the outside of the square end cap. You will then screw the end cap shoulder to the square plastic cap, but just enough for the screw to be inside the end cap.

- Place an end cap shoulder in the hole on the outside of the round end cap. You will then screw the end cap shoulder to the round plastic cap, but just enough for the screw to be inside the end cap.

- Take a rail with the ratchet wheel on it and place it in the middle of the Batting Rail Mount End. **MAKE SURE THE RATCHET WHEEL TEETH ARE FACING AWAY FROM THE FRAME**, as pictured on the next page.





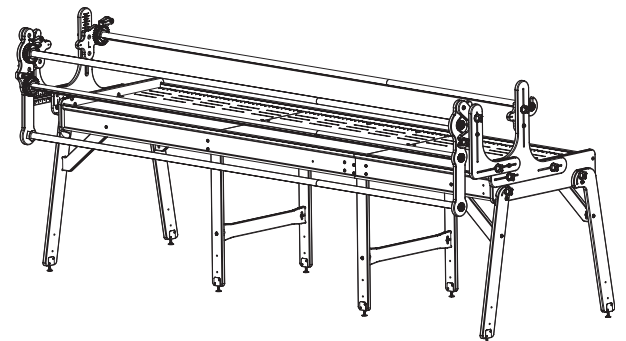
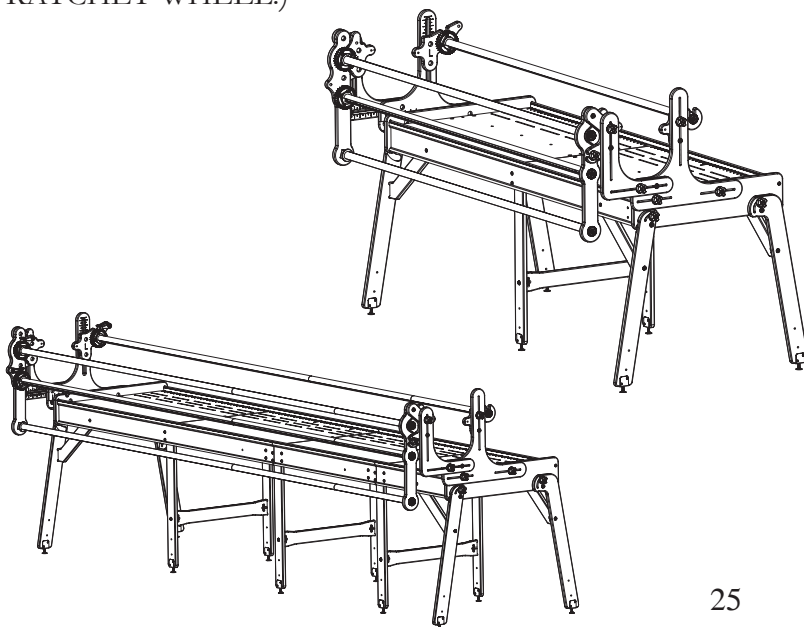
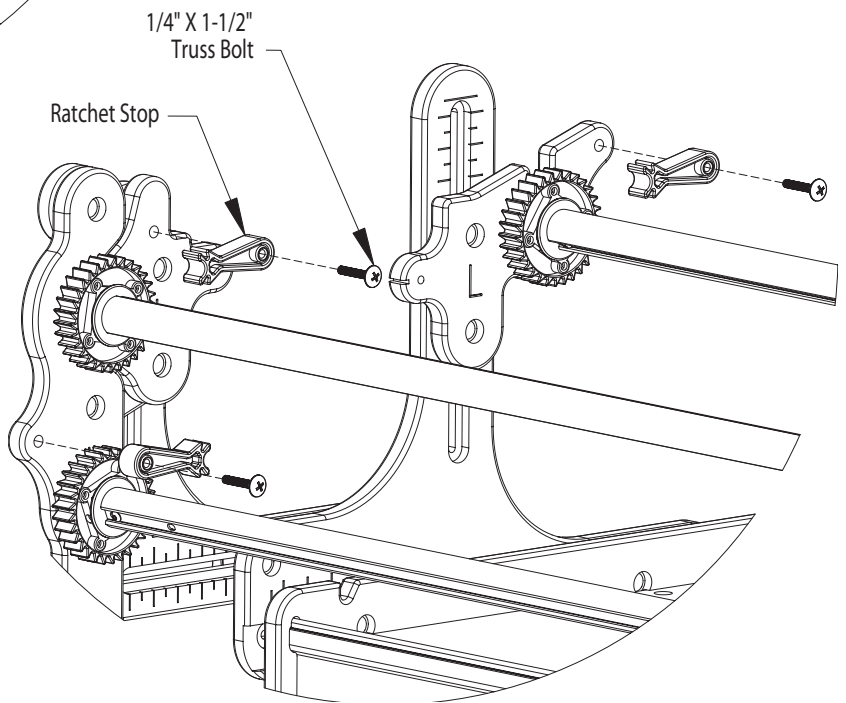


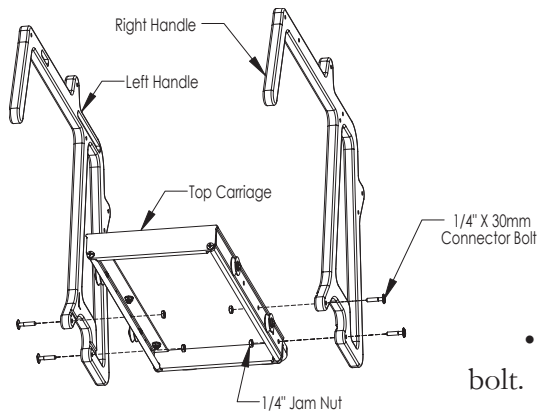
- You will want to put an end cap shoulder on each end of the rail, leaving them loose just as you did on the first rail.
- Put the last two rails on the same way you did the last one, except YOU WILL WANT THE TEETH ON THE RATCHET WHEELS GOING TOWARDS THE FRAME.
- When you have all the rails on you will want to tighten all of the screws into the end caps.

**Step 25: Ratchet Stop Assembly**

Parts Needed: 3- Ratchet Stops  
3- 1/4" x 1-1/2" Truss Bolt

- You will need to put the bolt through the ratchet stop.
- As pictured right, you will screw the ratchet stops into the holes near the ratchet wheels. (THE BOTTOM RAIL THE RATCHED STOP GOES TO THE LEFT, WHILE THE OTHER TWO THE RACHET STOP GOES TO THE RIGHT OF THE RATCHET WHEEL.)





## **Step 26: Carriage Handle Assembly**

Parts Needed: 1- Top Carriage (preassembled)  
 1- Right and Left Handle Base  
 4- 1/4" X 30 mm Connector Bolt  
 4- 1/4" Jamb Nut

- Put a 30 mm connector bolt through both holes on the bottom of your Left Handle Base and through your Top Carriage.
- Under your Top Carriage you will put the nylock nut on your connector bolt.

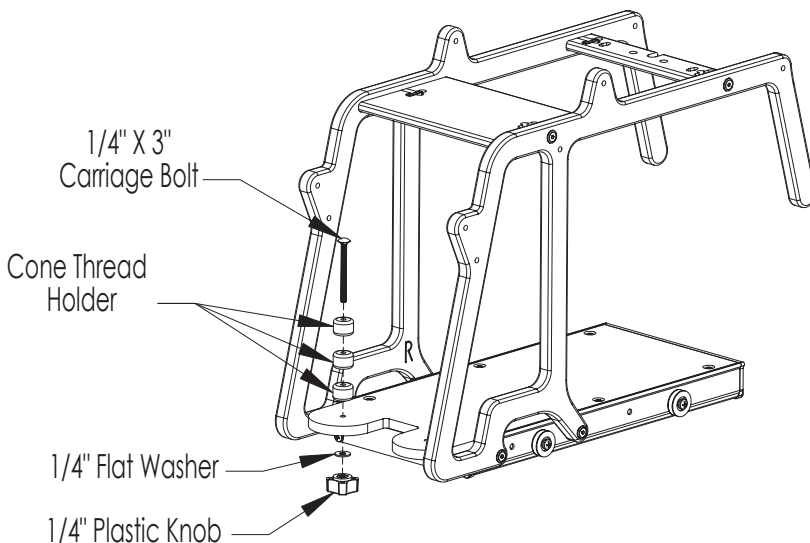
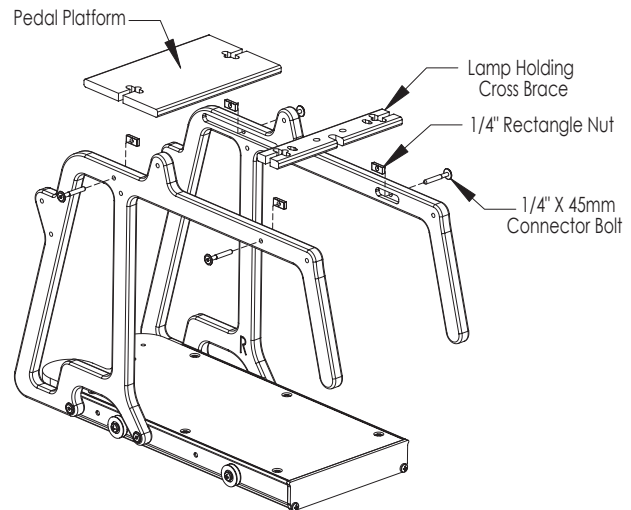
- It is easier if you will bend the handle out a little so you can get the nut started on the bolt. Then you can straighten the handles and tighten the nut onto the bolt.
- HINT- The easiest way to tighten the nylock nut on to the bolt is use a wrench to hold the nylock nut in place while you use the allen wrench to screw the bolt into the nut.

- Follow the above steps to attach your Right Handle Brace.

## **Step 27: Cross Brace Assembly**

Parts Needed: 1- Lamp Cross Holding Brace  
 1- Pedal Platform  
 4- 1/4" X 45 mm Connector Bolt  
 4- 1/4" Rectangle Nuts (threaded)

- Stand your Top Carriage up so you can see the top of your Handles.
- Attach the Back Handle Cross Brace with connector bolts and rectangle nuts as illustrated left.



## **Step 28: Cone Thread Holder Assembly**

Parts Needed: 3- Cone Thread Holders  
 1- 1/4" X 3" Carriage Bolt  
 1- 1/4" Flat Washer  
 1- 1/4" Plastic Knob

- Attach the Front Handle Cross Brace in the same manner as you did the back one.
- Take the three Cone Thread Holders and place them on either the back right or the left side.

- You will then put the carriage bolt through the Cone Thread Holders and your Top Carriage, where you will put a washer and then a plastic knob on to hold the Cone Thread Holders in place.

## Step 29: Cone Thread Guide Assembly

Parts Needed: 2- #10 X 3" Eye Bolt  
 4- #10 Hex Nut  
 4- 3/16" Flat Washer

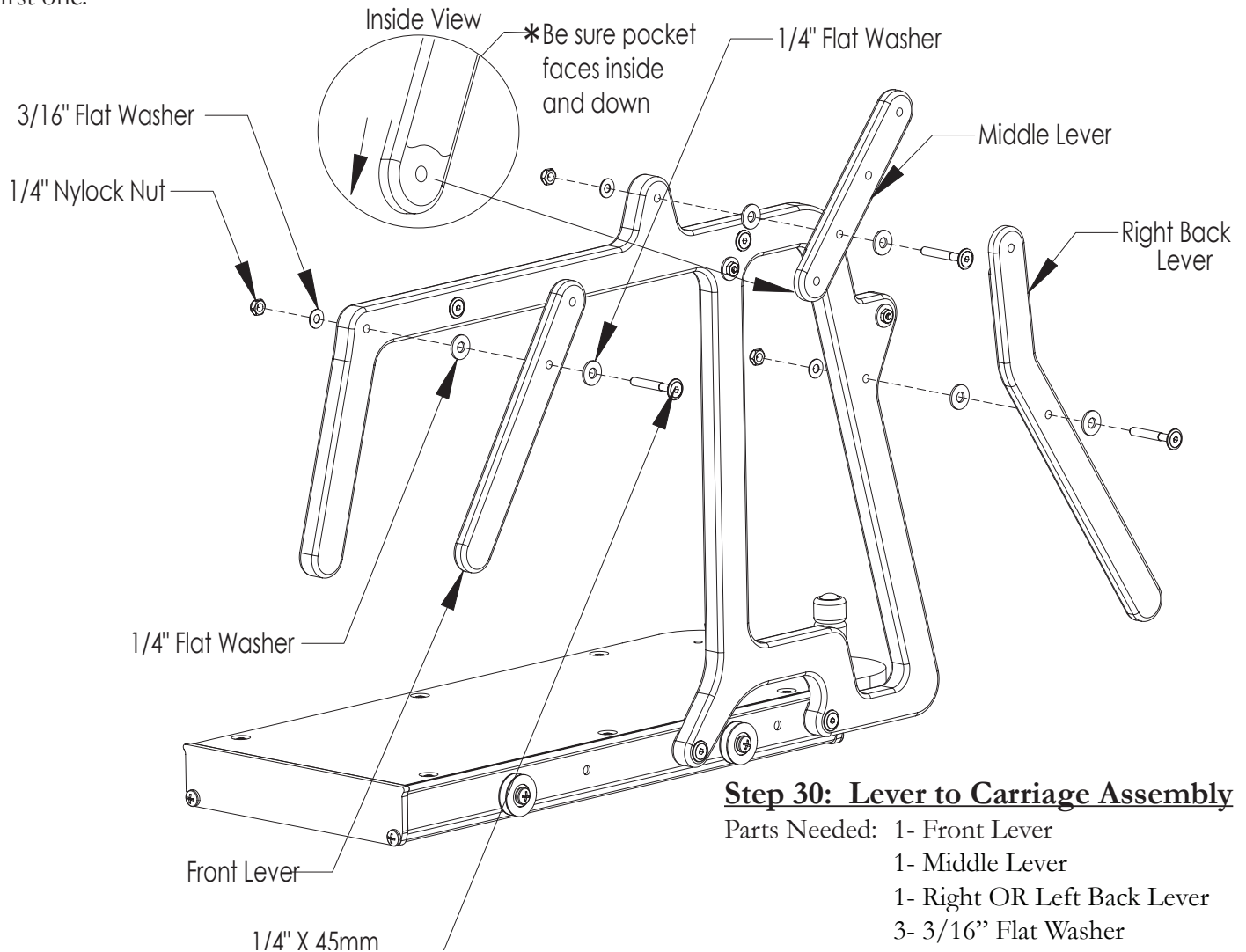
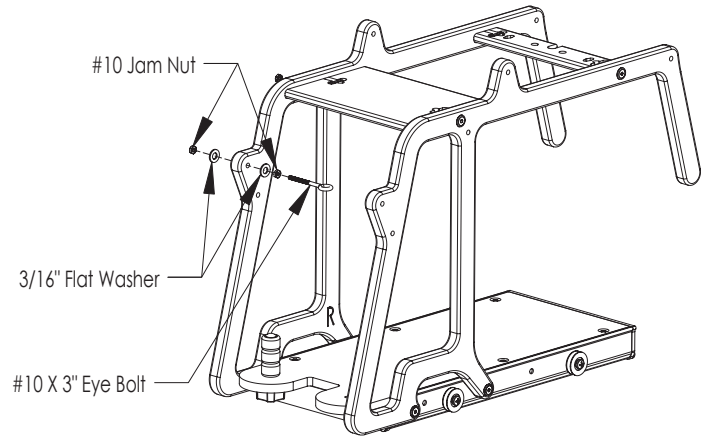
- Tighten one of the jam nuts so it is almost to the end of the threads, by the eye.

- Place a washer on the end of that bolt and then guide the bolt through the first hole, if you are looking at it from the back.

- The eye of the bolt must be right over the Cone Thread Holder; as soon as you have it in the correct place you will want to loosen the jam nut so it is right against the handles.

- Place a washer on the end of the bolt and follow it with a jamb nut.

- You will follow the above instructions for the other bolt, except you must have the second bolt even with the first one.



## Step 30: Lever to Carriage Assembly

Parts Needed: 1- Front Lever  
 1- Middle Lever  
 1- Right OR Left Back Lever  
 3- 3/16" Flat Washer  
 3- 1/4" Nylock Nuts  
 6- 1/4" Flat Washer  
 3- 1/4" X 45mm Connector Bolt

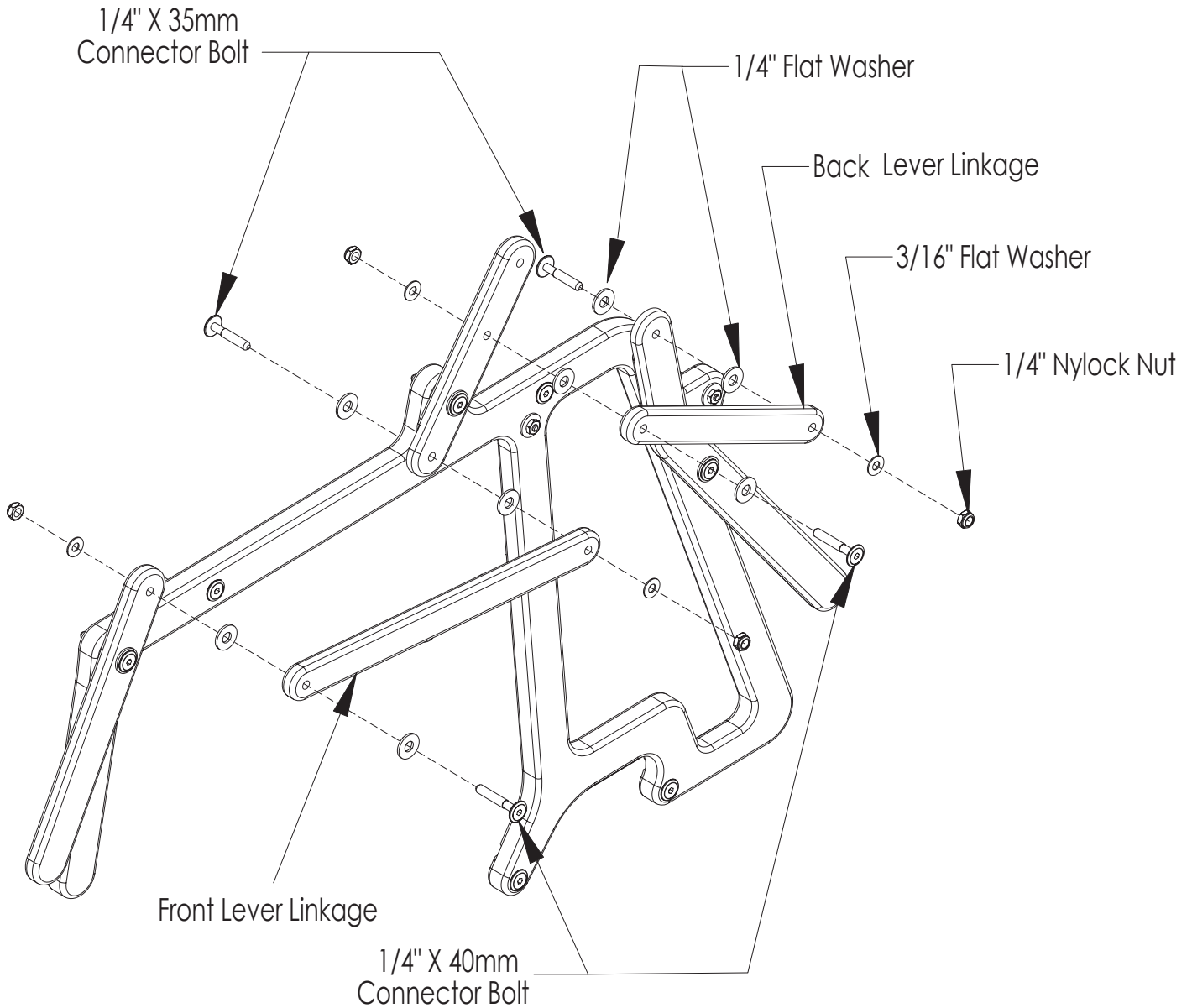
**\*\*You have the option of having the handles on the Left or Right side. You will want to decide the side you want them on before you get started on the rest of the steps.\*\***

- Slide a 1/4" washer on the end of a bolt and then thread the bolt through the hole that is the farthest away from the end of the Front Lever, as shown above.
- On then end of the bolt you will put another 1/4" washer and slide the bolt through the hole on the Front Right or Left Handle.
- Once the bolt is through the Handle you will put a 3/16" flat washer and then a 1/4" nylock nut on the end of the bolt. **\*\*Make sure nylock nuts are loose enough to allow the washer to turn in your fingers.\*\***
- On your Middle Lever you will place a bolt, which has 1/4" washer on the end, through the middle hole above the bottom cut out part of your Middle Lever.
- On the end of the bolt sticking out of your Middle Lever you will place a 1/4" washer and then slide the bolt through the hump on top of the Handle.
- Place a 3/16" washer on the end of the bolt and then screw a nylock nut on the end. **\*\*Make sure nylock nuts are loose enough to allow the washer to turn in your fingers.\*\***
- On your Right or Back Lever you will place a bolt, which has 1/4" washer on the end, through the hole on the longer side, as shown on the previous page.
- On the end of the bolt sticking out of your Back Lever you will place a 1/4" washer and then slide the bolt through the hole on the back of your Handle. Place a 3/16" washer on the end of the bolt and then screw a nylock nut on the end. **\*\*Make sure nylock nuts are loose enough to allow the washer to turn in your fingers.\*\***

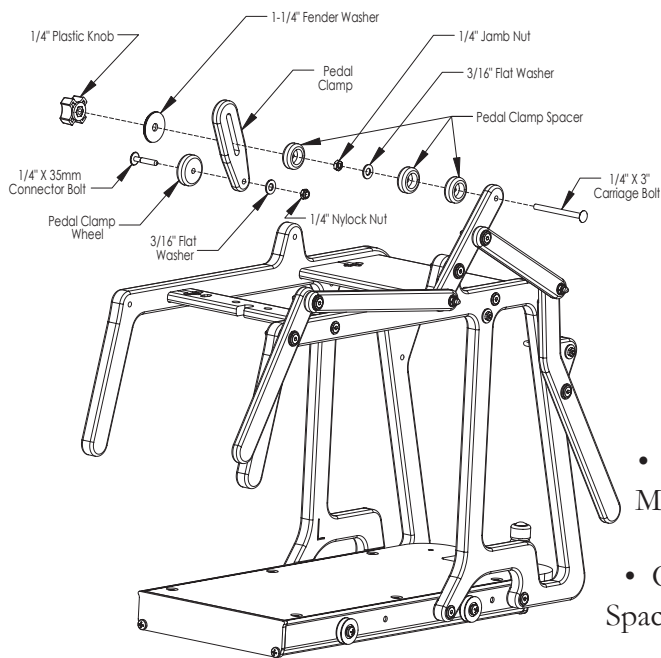
### **Step 31: Lever Linkage to Handle Assembly**

Parts Needed: 1- Front Lever Linkage  
1- Back Lever Linkage  
2- 1/4" x 35mm Connector Bolt  
2- 1/4" x 40mm Connector Bolt  
8- 1/4" Flat Washer  
4- 3/16" Flat Washer  
4- 1/4" Nylock Nut

- On the end of a 40mm connector bolt you will want to put a 1/4" washer and then thread the bolt through one end of the Front Lever Linkage.
- On the end of the bolt sticking out of your Front Lever Linkage you will place a 1/4" washer and then slide the bolt through the hole on your Front Lever. Place a 3/16" washer on the end of the bolt and then screw a nylock nut on the end. **\*\*Make sure nylock nuts are loose enough to allow the washer to turn in your fingers.\*\***
- On the end of a 35mm connector bolt you will want to put a 1/4" washer and then thread the bolt through the cut out part of the Middle Lever.



- On the end of the bolt sticking out of your Middle Lever you will place a 1/4" washer and then slide the bolt through the hole on your Front Lever Linkage. Place a 3/16" washer on the end of the bolt and then screw a nylock nut on the end. \*\*Make sure nylock nuts are loose enough to allow the washer to turn in your fingers.\*\*
- On the end of a 40mm connector bolt you will want to put a 1/4" washer and then thread the bolt through one end of the Back Lever Linkage.
- On the end of the bolt sticking out of your Back Lever Linkage you will place a 1/4" washer and then slide the bolt through the middle hole on your Middle Lever. Place a 3/16" washer on the end of the bolt and then screw a nylock nut on the end. \*\*Make sure nylock nuts are loose enough to allow the washer to turn in your fingers.\*\*
- On the end of a 35mm connector bolt you will want to put a 1/4" washer and then thread the bolt through the cut out part of the Back Lever.
- On the end of the bolt sticking out of your Back Lever you will place a 1/4" washer and then slide the bolt through the hole on your Back Lever Linkage. Place a 3/16" washer on the end of the bolt and then screw a nylock nut on the end. \*\*Make sure nylock nuts are loose enough to allow the washer to turn in your fingers.\*\*



### Step 32: Pedal Clamp to Handle Assembly

Parts Needed: 1- Pedal Clamp

1- Pedal Wheel

3- Pedal Clamp Spacer

1- 1/4" x 3" Carriage Bolt

1- 1/4" x 35mm Connector Bolt

2- 3/16" Flat Washer

1- 1/4" Jamb Nut

1- 1/4" Nylock Nut

1- 1-1/4" Fender Washer

1- 1/4" Plastic Knob

- Slide the 1/4" x 3 carriage bolt through the top hole on your Middle Lever.

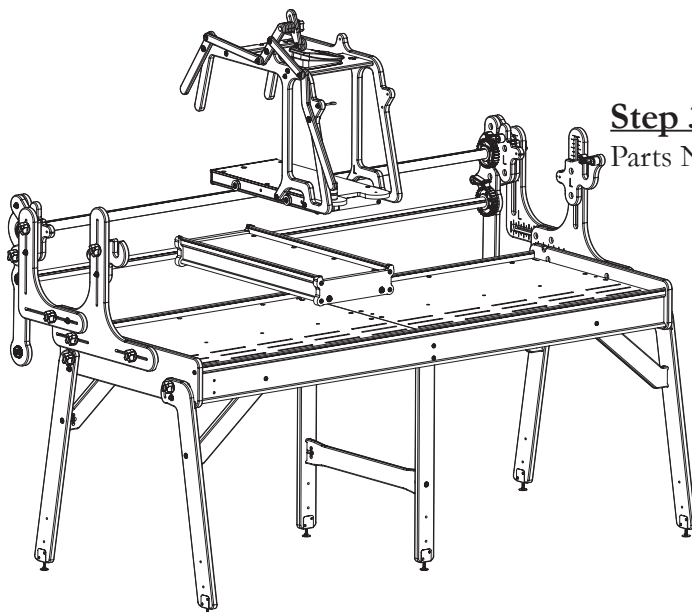
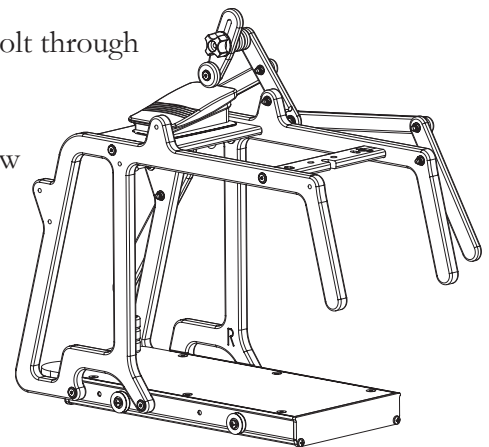
- On the end of the bolt you will want to slide 2 Pedal Clamp Spacers, with the more hollow side towards the head of the bolt.

- On the end of the bolt you will now want to put a 3/16" washer followed by a jamb nut, which needs to be **TIGHTENED COMPLETELY** on the bolt. Then place the last Pedal Clamp Spacer on the end of the bolt with the hollow side towards the jamb nut.

- Slide the Pedal Clamp onto the end of the bolt, and then place a fender washer on the end of the bolt. After the fender washer you will want to screw on the plastic knob.

- Slide the Pedal Wheel onto the 35mm connector bolt, and then slide the bolt through the hole in the bottom of your Pedal Clamp.

- On the end of the bolt you will want to place a 3/16" washer and the screw on a nylock nut. **\*\*Make sure nylock nuts are loose enough to allow the washer to turn in your fingers.\*\***



### Step 33: Carriage to Frame Assembly

Parts Needed: 1- Frame (assembled)

1- Top Carriage (assembled)

1- Bottom Carriage (assembled)

- Lift your first rail out of place, as pictured to the left.

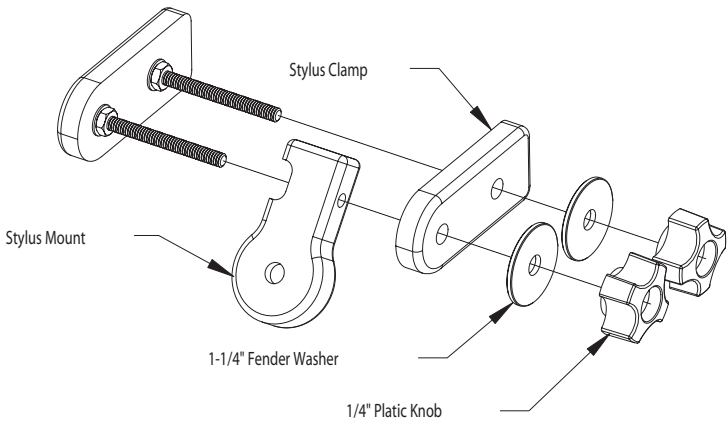
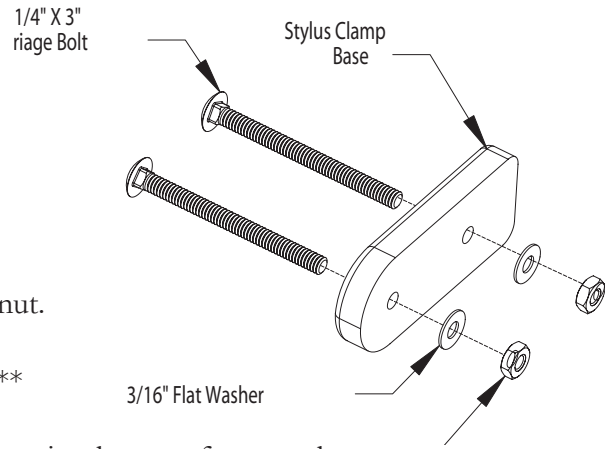
- Place your Bottom Plate on your tracks, and make sure the wheels are moving on the track.

- Place your Top Plate on your bottom plate, just make sure your wheels are on the track on your Bottom Plate.

### **Step 34: Stylus Clamp Base Assembly**

Parts Needed: 1- Stylus Clamp Base  
2- 1/4" X 3" Carriage Bolt  
2- 1/4" Jam Nuts  
2- 3/16" Flat Washer

- Place one bolt through each hole in your Stylus Clamp Base.
- On the end of each bolt you will put a washer followed by a jam nut.
- **TIGHTEN JAM NUTS COMPLETELY ONTO EACH BOLT\*\***
- Make sure the top of the bolt is flush against the wood, this will require the use of a wrench.



### **Step 35: Stylus Clamp Assembly**

Parts Needed: 1- Stylus Clamp Base  
1- Stylus Clamp  
1- Stylus Mount  
2- 1-1/4" Fender Washer  
2- 1/4" Plastic Knobs

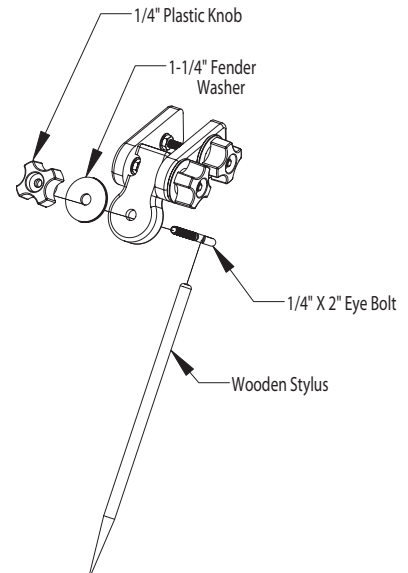
- On the bolt closest to the round end you will need to slide the Stylus Mount on the bolt, as pictured left with the big hollow area down.

- Place the Stylus Clamp on the end of both of the bolts, with the round end next to the Stylus Mount.
- Place a fender washer and then screw a knob on each of the bolts.

### **Step 36: Stylus Assembly**

Parts Needed: 1- Stylus Clamp Base (assembled)  
1- Wooden Stylus  
1- 1/4" Fender Washer  
1- 1/4" Plastic Knobs  
1- 1/4" X 2" Eye Bolt

- You will want to place the eye bolt up through the bottom, or hollow side, as pictured right.
- On the end of the bolt you will place a washer and then tighten the knob onto the bolt.
- Before you tighten the knob completely you will want to slide the wooden stylus through the eye of the bolt. When you tighten the bolt it will hold the stylus in place so you can follow patterns.

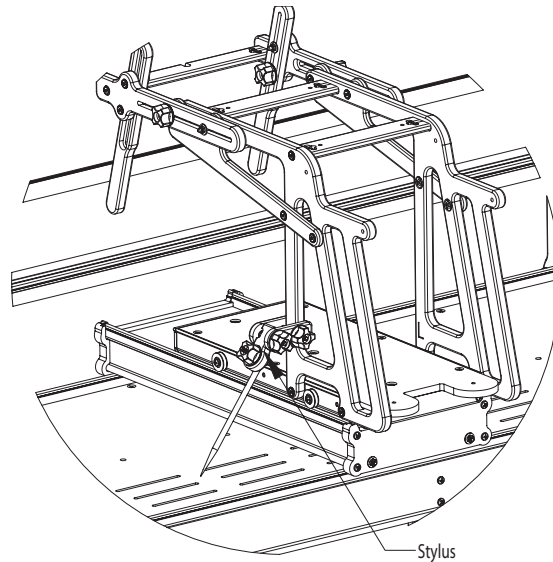


### Step 37: Stylus to Carriage Assembly

Parts Needed: 1- Stylus (assembled)

1- Top Carriage (assembled)

- Choose which side you want your stylus on and then you will loosen the back knob.
- Slide the stylus onto the handles, as pictured right, and then tighten the knob back up.



### Step 38: Carriage Stop Assembly

Parts Needed: 2- Carriage Stop Base

2- Carriage Stop Clamp

2- 1/4 X 2-1/4" Carriage Bolt

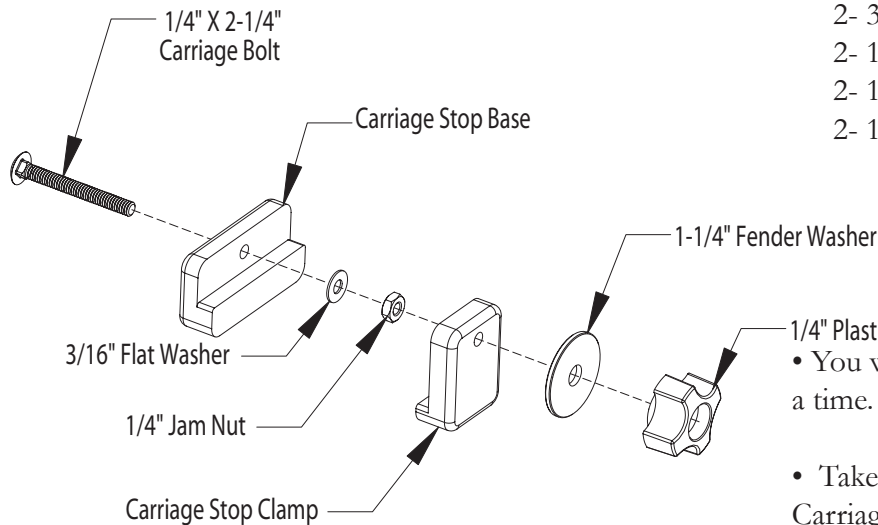
2- 3/16" Flat Washer

2- 1/4" Jam Nut

2- 1-1/4" Fender Washer

2- 1/4" Plastic Knob

- You will be building two carriage stops, but one at a time.



- You will be building two carriage stops, but one at a time.

- Take the carriage bolt and place it through the Carriage Stop Base.

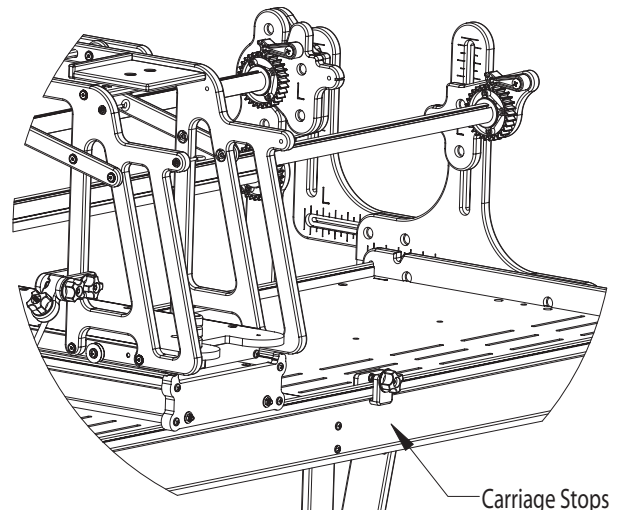
- At the end of the carriage bolt you will need to put a flat washer followed by a jamb nut.

- **TIGHTEN** the jam nut completely on the bolt, and make sure the top of the bolt is flush against the wood.

- Once you have the jam nut on the bolt you will then slide the Carriage Stop Clamp on the bolt.

- On the end of the bolt you will put a fender washer and a plastic knob. Before you tighten the knob you will want to decide where you want your stop, as shown above, then you will tighten the knob so it will stay on your frame.

- You will follow the above steps to complete the other carriage stop.







Congratulations! You have completed the assembly of your GMQ Pro Quilting Frame.

Save any extra hardware you have left over (if you assembled the crib size you will have bolts and wood pieces remaining).

Store these in a safe, dry place for later use.

All that remains is to install your fabric and begin quilting!

With the specially designed Fabri-Fast rails, installing your fabric is easier on the GMQ Pro than on any other frame. Each rail has a Fabri-Fast slot and accompanying tubing. These work together to make your fabric installation much easier and faster than using tape, tacks or Velcro®.

Before you begin, please locate the plastic Fabri-Fast tool (red) included in your shipment.

We recommend you begin with practice material allowing you to experiment with machine settings and stroke techniques.

NOTE: As you cut your fabric layers, we recommend making the quilt backing about 6-8" longer and 2-4" wider than your top. This will allow for a little give in the backing, especially if using thicker batts.

## GMQ FABRIC INSTALLATION

- The recommended method for installing fabric onto the rails is to make and use **Cloth Leaders** (**instructions to follow**). This will enable you to finish your quilt completely, to the end, without having to take your quilt off the rails.
- It is very important to cut all your fabric square. This will make the following steps much easier! A rotary cutter helps achieve more precise results.

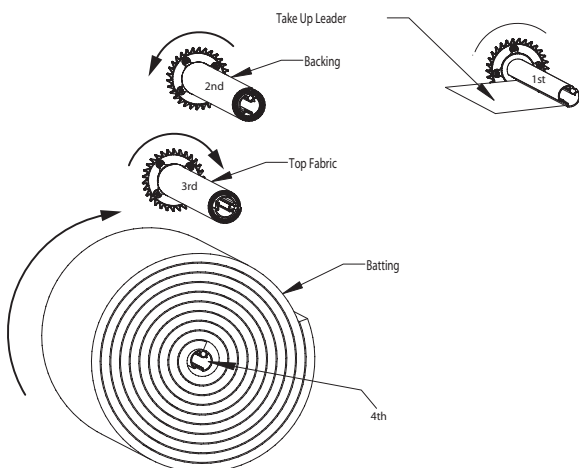
*This following is a brief overview to show which fabric layer goes to each rail*

### OVERVIEW:

**Step 1:** Install Quilt Backing to 2nd rail and roll up.

**Step 2:** Install Quilt Top to the 3<sup>rd</sup> rail and roll up.

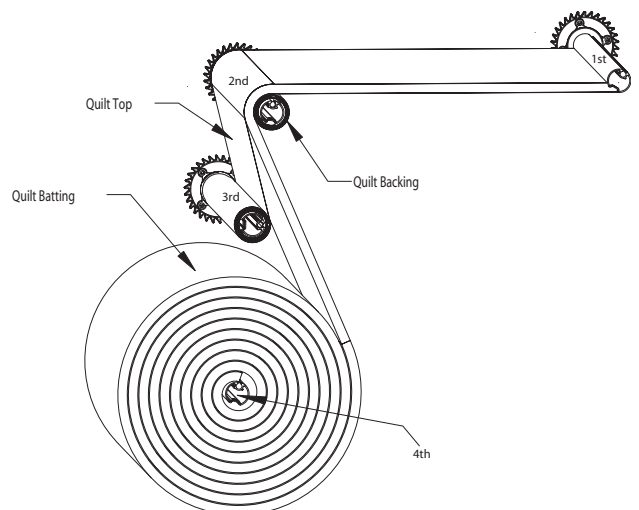
**Step 3:** Install Batting to 4<sup>th</sup> rail and roll up.



**Step 4:** Attach Quilt Backing to Take Up rail.

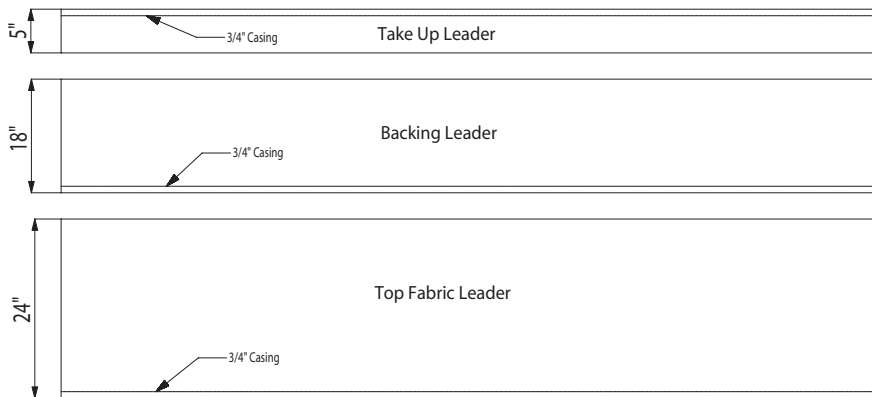
**Step 5:** Attach Batting to Take Up rail.

**Step 6:** Attach Quilt Top to Take Up rail.



## MAKING CLOTH LEADERS

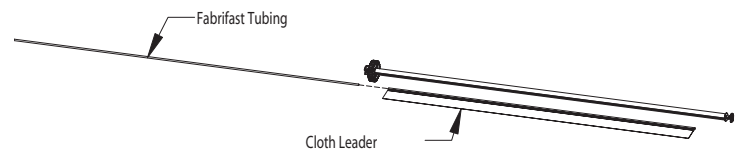
- First, select your cloth leader material. We recommend using a good quality muslin or similar fabric that has a good thread count. Be aware, however, that if the fabric is too thick, it may prove to be difficult installing it into the rail slot.
- Surge or hem your cloth leaders on all sides.
- Make cloth leaders so that their lengths are the as follows (these may need to be slightly longer if spreading rail mount ends to accommodate a larger machine (16" or larger throat).



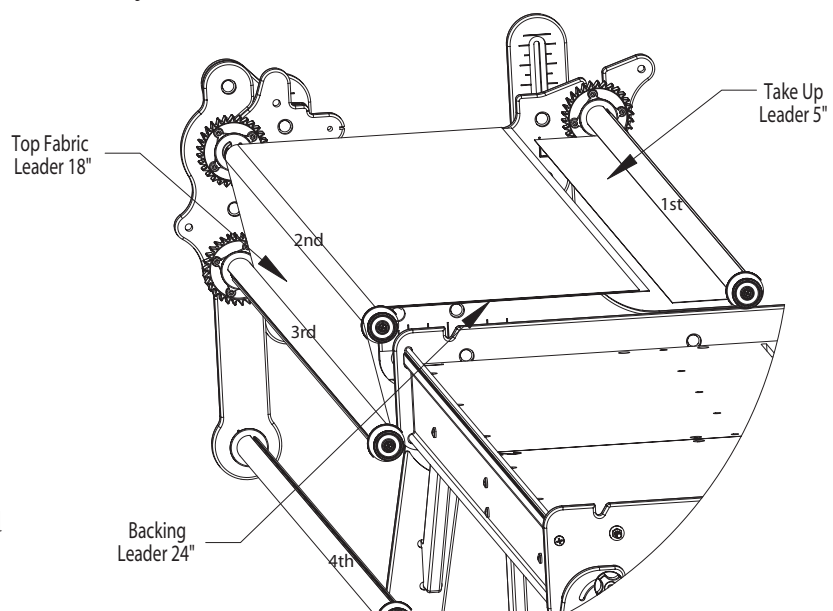
- Mark a dashed line along the length of your leader about 1/2" in from the edge. You will use this as a guide to help you insert your leader into the slot in straight line. (OPTIONAL: For a straighter cloth leader installation, some may consider it easier to make a casing and push the tubing into the casing before installing it into the slot. If you wish to do this, create a casing on one end of each leader by folding over the fabric one inch (1"), and using your foot pedal as a guide, stitching the fabric together 3/4" from the fold. This will leave about 1/4" of fabric beyond the stitching. Leave the edges open on both ends. You may then slide your tubing into the casing).

one inch (1"), and using your foot pedal as a guide, stitching the fabric together 3/4" from the fold. This will leave about 1/4" of fabric beyond the stitching. Leave the edges open on both ends. You may then slide your tubing into the casing).

- Mark each cloth leader at the center (length-wise).
- Mark (or baste) a straight line about 1/2" in from the opposite (non-casing, or non-dashed) end of the leader. This will be the line to which you attach your fabric layer.



- Center your cloth leader lengthwise along the rail. Using Grace's new Fabri-Fast™ System, take a piece of plastic tubing (cut to the appropriate length), and, holding your cloth leader to the slot (lining up the dashed line), press the tubing over the leader and into the slot. Use the Fabri-Fast tool to press the rest of the tube and fabric in quickly and easily. (If you have made a casing, line up this casing w/ tubing over the slot and press it into the slot using the Fabri-Fast tool.

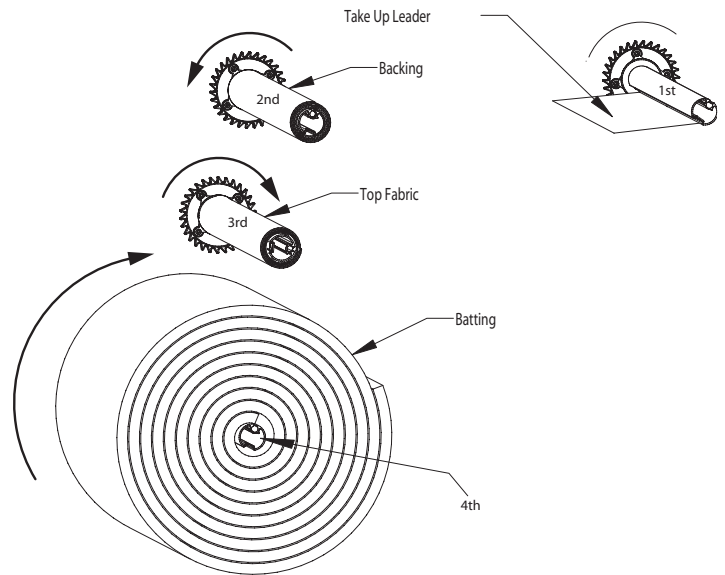


- This illustration shows the cloth leaders installed on each rail prior to your quilt layers being installed.

# INSTALLING YOUR FABRIC LAYERS TO THE RAILS

## STEP 1: QUILT BACKING TO SECOND RAIL

- To begin, determine which will be the front and back edges of your quilt BACKING (be sure it will fit within the width of your frame set-up).
- NOTE: If your backing is made up of more than one piece of fabric, cut your selvages off and atten them out to allow the backing the proper give it needs.
- Line up the center of your fabric layer with the center of the cloth leader on the 2<sup>nd</sup> Rail. Pin the back edge of your backing to the

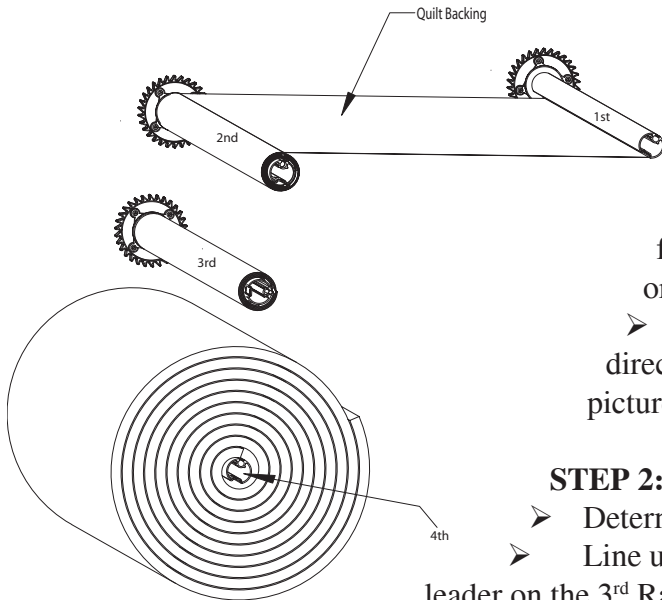


leader cloth. This is to be done with the finished side of the fabric facing down.

- Do not stretch or pull the fabric during this process. Let it lay as naturally as possible.

- Roll your leader and backing onto the 2<sup>nd</sup> rail completely. Watch to make sure the fabrics stay lined up. Smooth out any wrinkles as you roll by brushing the fabric from the center out. However, be very careful not to stretch or pull the fabric excessively.

- NOTE! It is important that you roll the rail the proper direction so the fabric rolls over and onto the 2<sup>nd</sup> rail (see picture).



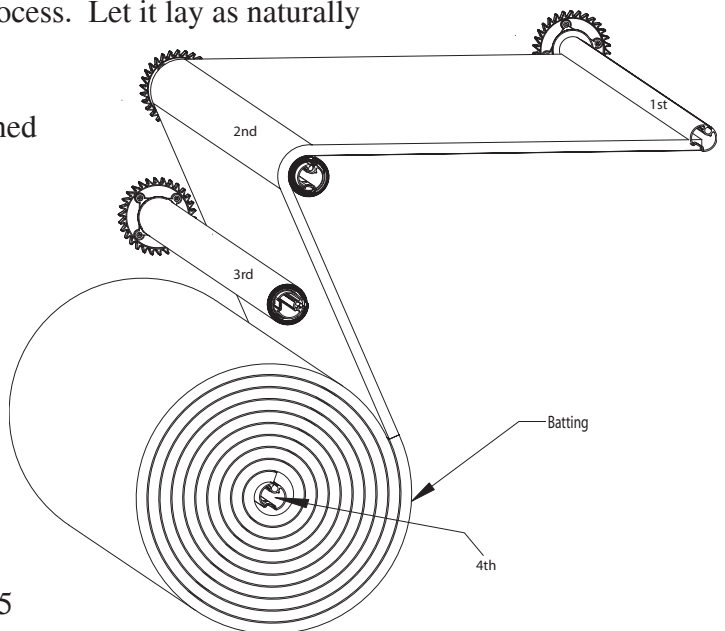
## STEP 2: QUILT TOP TO 3<sup>rd</sup> RAIL

- Determine which will be the front and back edges of your quilt.
- Line up the center of your fabric layer with the center of the cloth leader on the 3<sup>rd</sup> Rail. Pin the back edge of your top to the leader cloth. This is to be done with the finished side of the fabric facing up.

- Do not stretch or pull the fabric during this process. Let it lay as naturally as possible.

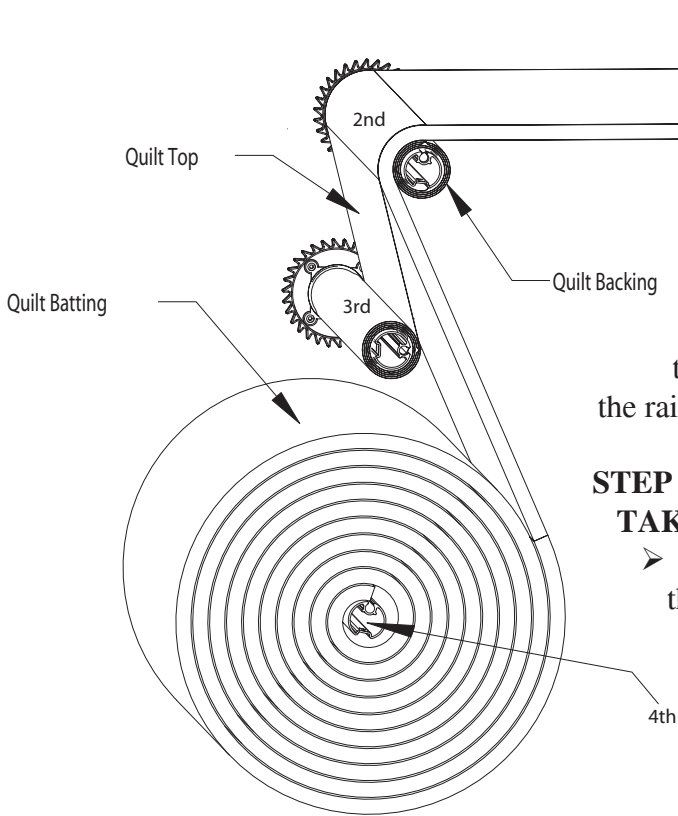
- Roll your leader and top onto the 3<sup>rd</sup> rail completely. Again, be sure the fabrics stay lined up. Smooth out any wrinkles as you roll by brushing the fabric from the center out, being very careful not to stretch or pull the fabric excessively.

- NOTE! It is important that you roll the rail the proper direction so the fabric rolls onto the 3<sup>rd</sup> rail the right way (when fabric rolls off the rail toward the take-up rail, it should roll under and off the rail. See picture).



## STEP 3: BATTING

- A light, bonded batting is recommended.



➤ Center the batting on the 4<sup>th</sup> rail and attach one end of the batting using the fabric fast tubing. (NOTE: Fabri-Fast tubing will work with most batts, however, if the batting is too thick to squeeze into the slot, you may tape the batting to the rail to keep it in place).

➤ Roll the batting onto rail, being sure to roll the proper direction so that it, like the quilt top, comes off the rail from the bottom when unrolling.

#### STEP 4: ATTACHING YOUR QUILT LAYERS TO THE TAKE UP RAIL

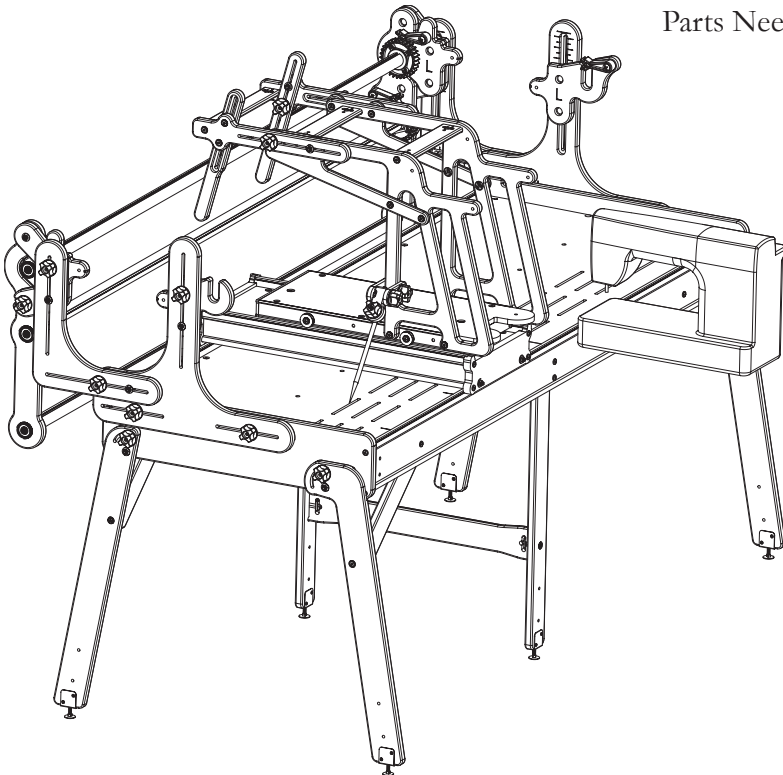
➤ Take the edge of the quilt backing and pin it along the straight line of the take up rail leader in a smooth manner, without stretching your fabric.

➤ Next, bring your batting up in between the 3rd rail and 2nd rail and drape over the backing. Lay it along the pin line of your backing on the take up rail cloth leader.

➤ Finally, bring the quilt top up over the backing and batting and lay it over the batting along the pin line on the take up rail cloth leader. Pin your top and batting along the same line as your backing in a smooth manner.

#### STEP: 5 PUTTING YOUR MACHINE/CARRIAGE ONTO FRAME

Parts Needed: 1- Frame (assembled)  
1- Sewing Machine



- First, remove your Cone Thread Holder off your carriage before you can slide your machine inside.
- You may have to take your cone thread guides out.
- Remove the take up rail with fabric and rest it on the bottom of the rail mount ends.
- Slide your machine into the carriage from the back. It might be easier if your carriage is all the way to the front, so it does not slide with you.
- Once you have your machine on you can put your Cone Thread Holder back on as well as putting your rail back in place.
- Slide the carriages all the way to the left (non-ratchet wheel side).
- Put the left end of the take up rail with fabric through the throat of the machine (feeding the fabric layers under the raised presser foot).
- Put the take up rail back in the slots or the mounts.

## Rolling your fabric

- When you have completed your work area and are ready to roll to the next, simply take the stops off the 2<sup>nd</sup> and 3<sup>rd</sup> rails, allowing them to roll freely. Then, with one or both hands, roll the 1<sup>st</sup> rail forward, rolling the completed work area onto that rail.
- **TIP!** As you roll forward, the quilt will accumulate on the 1st rail. Be sure to raise the Pole Mount Ends slightly as needed, so that the bottom of the rolled up fabric stays **about 1/8” above the throat plate of your sewing machine base**. Failing to do so will cause your Carriage Assembly to roll less smoothly.

## The Four-Inch Principle

- If you are using a sewing machine with a smaller size throat, you will want to follow the four-inch principle: Limit any quilting pattern to four inches or less from front to back.
- The Grace Machine Quilter gives you close to 16” of reach, but because of a limited throat size of your machine, and because the fabric will eventually roll up on the take up rail, further decreasing space, you will want to keep patterns to a 4” limit.

## Bungee Clamp Assembly

Parts Needed: 4- Bungee Clamps

- You will want to thread the end of one to your bungee cord through the little hole on your left Take Up Rail Mount End, as pictured.
- You will then want to attach the clamp to your fabric.
- With the clamp attached and your cord through the hole you will want to pull the excess cord and when you get your fabric tight you will pull the cord through the slot next to where you threaded your cord.
- You will follow the above steps for the rest of the left side, except your bungee cord will go through the Left Fabric Layer Rail Mount End.
- Follow the above steps to complete the right side.

